

Fiber Alignment Stages 2

- 2 NFP Series High Precision Fiber Optic Alignment Stages
- 5 APFP Series Standard Precision Fiber Optic Alignment Stages
- 8 AP Series Fiber Alignment Accessories

Manual Linear Stages 10

- 11 NFP Series Crossed-Roller Bearing Linear Stages
- 18 KSM Series Crossed-Roller Bearing Linear Stages
- 28 PSM Series Ball Bearing Linear Stages
- 43 TSM Series Ball Bearing Linear Stages
- 45 TSMXXD Series Dovetail Bearing Linear Stages

Integrated Stage 46

- 47 Integrated Stages

Vertical Positioners 53

- 54 KSMV Series High Precision Crossed-Roller Vertical Stages
- 55 PSMV Series High Precision Ball Bearing Vertical Stages
- 56 TSMV Series Precision Ball Bearing Vertical Stages
- 57 TSMV60/120-1S High Load Lab Jack Vertical Stages

Rotation Stages 58

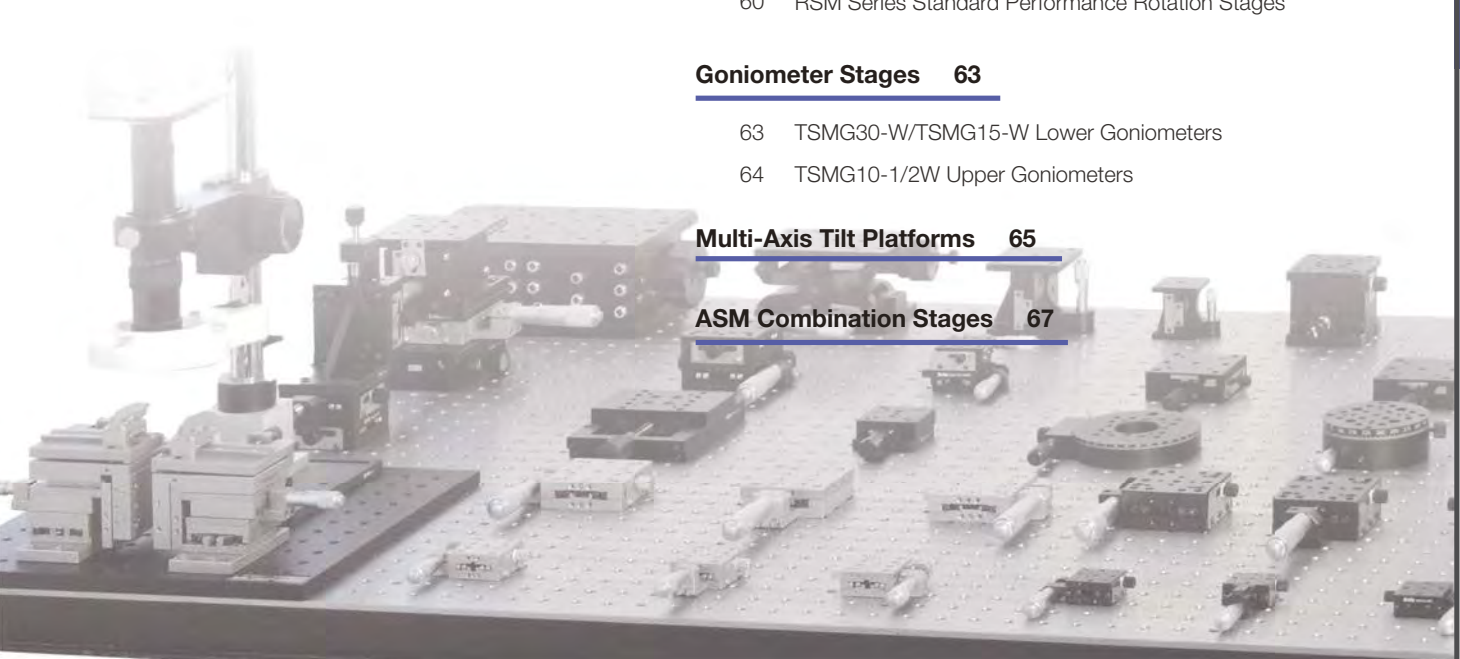
- 59 KSMR Series High Performance Rotation Stages
- 60 RSM Series Standard Performance Rotation Stages

Goniometer Stages 63

- 63 TSMG30-W/TSMG15-W Lower Goniometers
- 64 TSMG10-1/2W Upper Goniometers

Multi-Axis Tilt Platforms 65

ASM Combination Stages 67



Fiber Alignment Stages

Selection Guide:

Series	Axes of Travel	Bearing Type	Base Material
NFP-GON10	θ_x	Rotation Mechanism	304 Stainless Steel
NFP-2561(L)	θ_y, θ_z	Rotation Mechanism	304 Stainless Steel
NFP-3561(L)	X, Y, Z	Crossed-Roller	304 Stainless Steel
NFP-5561(L)	X, Y, Z, θ_y, θ_z	Crossed-Roller	304 Stainless Steel
NFP-6561(L)	X, Y, Z, $\theta_x, \theta_y, \theta_z$	Crossed-Roller	304 Stainless Steel
APFP- θ_x	θ_x	Rotation Mechanism	430 Stainless Steel
APFP-T(L)	θ_y, θ_z	Rotation Mechanism	430 Stainless Steel
APFP-YZ	Y, Z	Crossed-Roller	430 Stainless Steel
APFP-XYZ(L)	X, Y, Z	Crossed-Roller	430 Stainless Steel
APFP-XYZT(L)	X, Y, Z, θ_y, θ_z	Crossed-Roller	430 Stainless Steel
APFP-XYZT θ (L)	X, Y, Z, $\theta_x, \theta_y, \theta_z$	Crossed-Roller	430 Stainless Steel
FP-XYZT(L)	X, Y, Z, θ_y, θ_z	Linear Bearing	430 Stainless Steel & Al Alloy

NFP Series High Precision Fiber Optic Alignment Stages



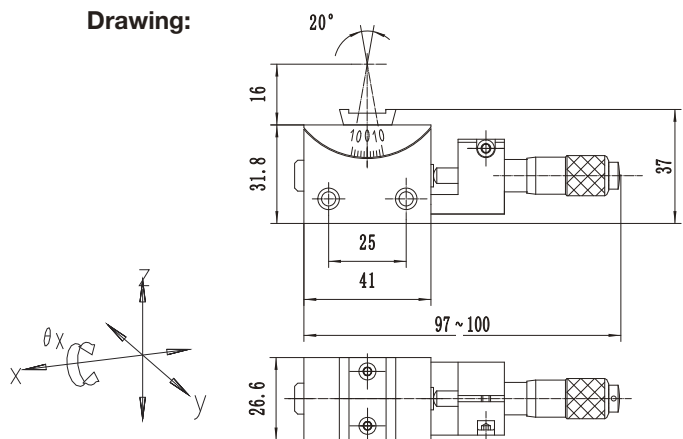
NFP-GON10 High Precision Goniometer Stage



Specification:

- Rotation Angle: θ_x : $\pm 10^\circ$
- Sensitivity: $6''$

Drawing:

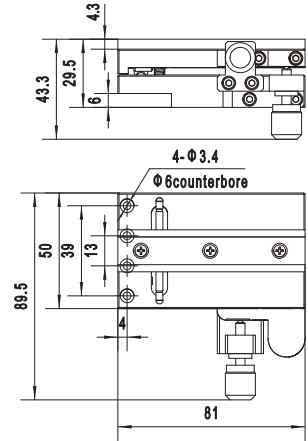
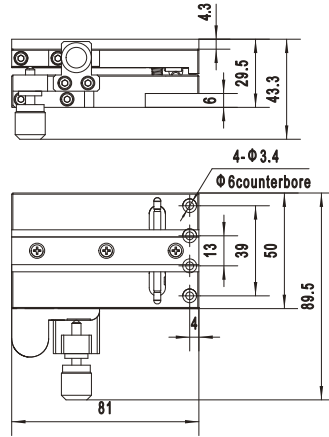
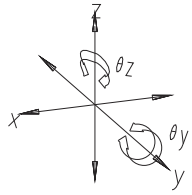


NFP-2561T(L) High Precision Tilt Stage



Drawing: NFP-2561TL ▼

NFP-2561T ▼



Specification:

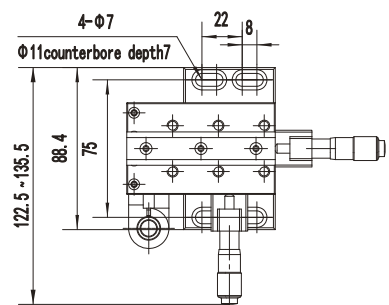
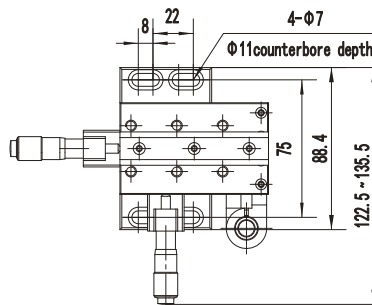
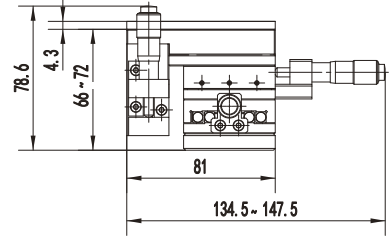
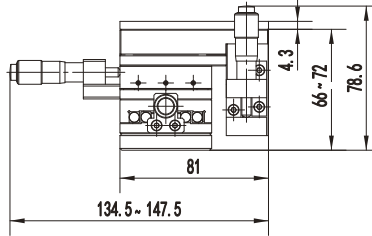
- θ_y : $-2^\circ \sim 4^\circ$
- θ_z : $-4^\circ \sim 4^\circ$

NFP-3561(L) High Precision Fiber Alignment Stage



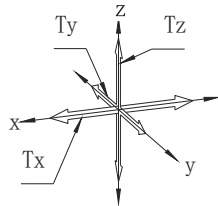
Drawing: NFP-3561L ▼

NFP-3561 ▼

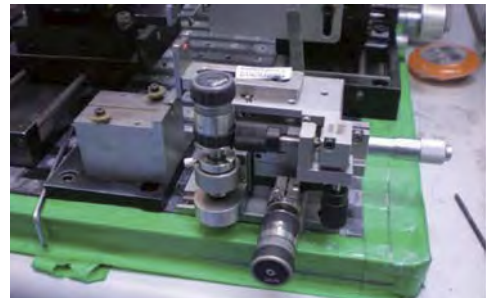


Specification:

- Tx: 13mm Ty: 13mm Tz: 6mm
- Sensitivity: $< 1\mu\text{m}$
- Straightness of X,Y,Z: $< 3\mu\text{m}$



Application:



NFP-5561(L) High Precision Fiber Alignment Stage

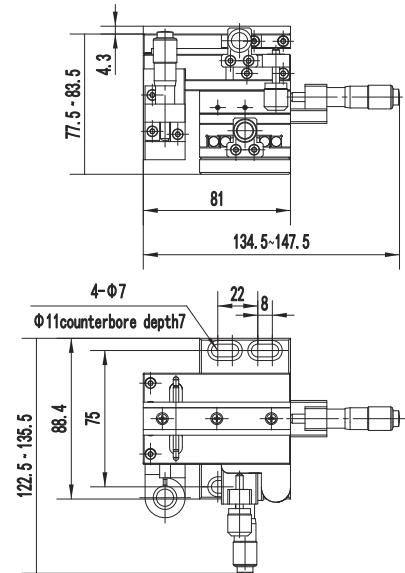
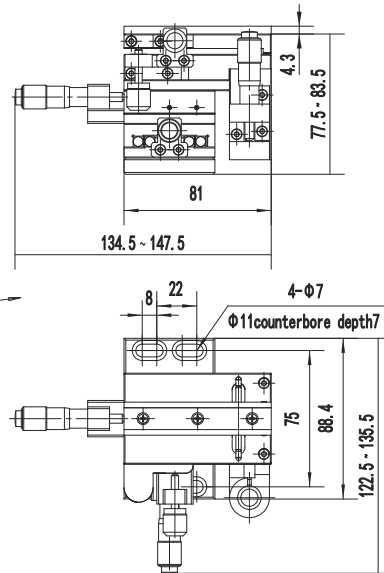
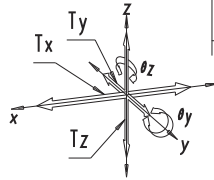


Drawing: NFP-5561L ▼

NFP-5561 ▼

Specification:

- Tx: 13mm
- Ty: 13mm
- Tz: 6mm
- θ_y : $-2^\circ \sim 4^\circ$
- θ_z : $-4^\circ \sim 4^\circ$
- Sensitivity: $< 1\mu\text{m}$
- Straightness of X,Y,Z axis: $< 3\mu\text{m}$



NFP-6561(L) High Precision Fiber Alignment Stage

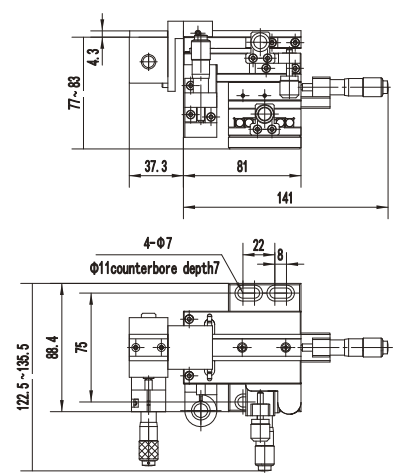
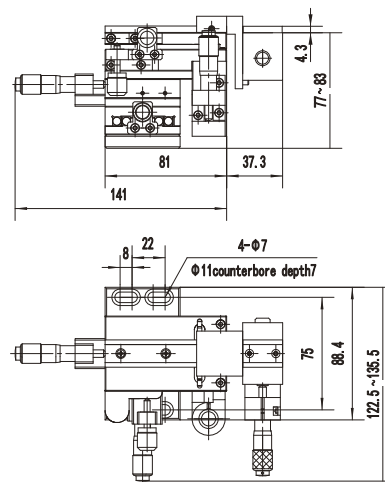
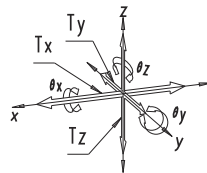


Drawing: NFP-6561L ▼

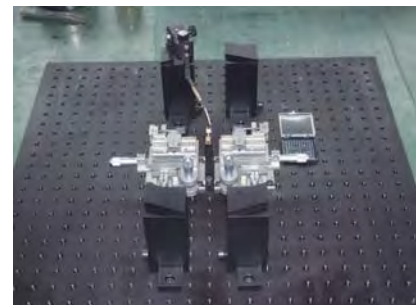
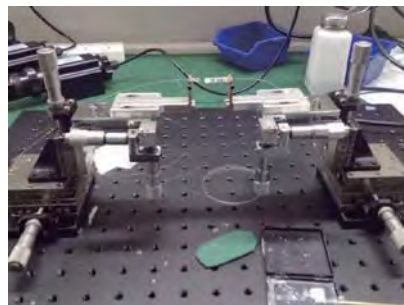
NFP-6561 ▼

Specification:

- Tx: 13mm
- Ty: 13mm
- Tz: 6mm
- θ_x : $-10^\circ \sim 10^\circ$
- θ_y : $-2^\circ \sim 4^\circ$
- θ_z : $-4^\circ \sim 4^\circ$
- Sensitivity: $< 1\mu\text{m}$
- Straightness of X,Y,Z axis: $< 3\mu\text{m}$



Application:



APFP Series Standard Precision Fiber Optic Alignment Stages



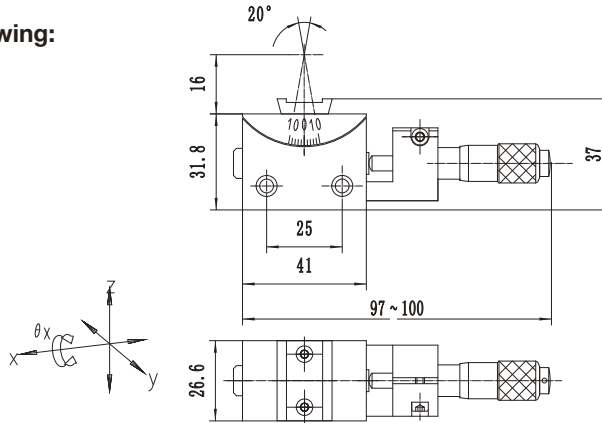
APFP- θ_x Precision Fiber Alignment Stage, $\theta_x \pm 3^\circ$ Micrometer



Specification:

- $\theta_x: \pm 7^\circ$

Drawing:



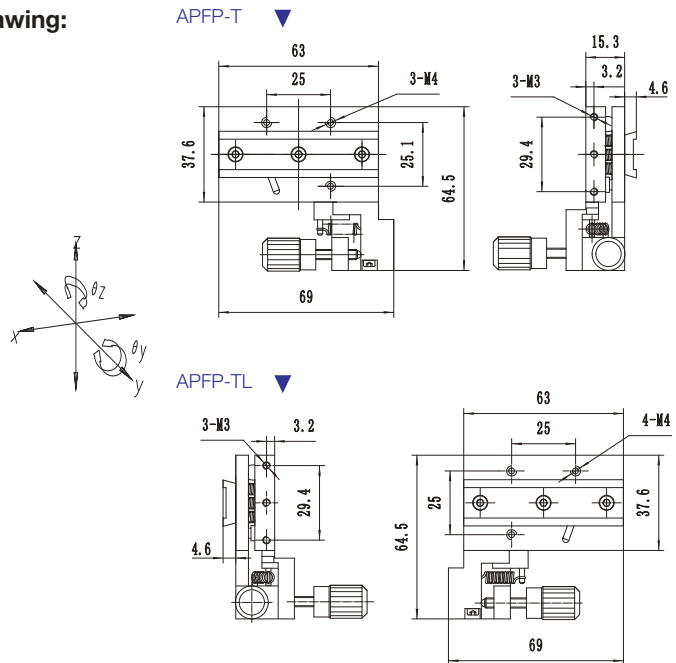
APFP-T(L) Precision Fiber Alignment Stage, $\theta_y, \theta_z: \pm 3^\circ$ Screws



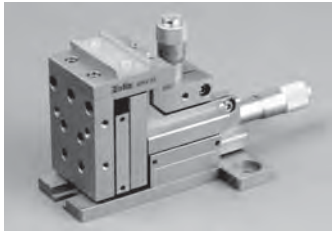
Specification:

- $\theta_y: \pm 3^\circ$
- $\theta_z: \pm 3^\circ$

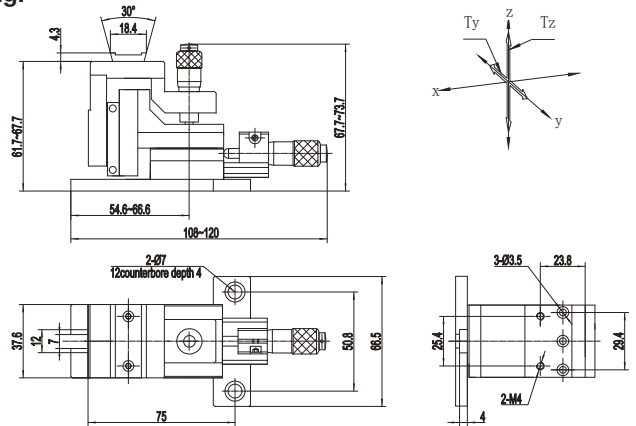
Drawing:



APFP-YZ Precision Fiber Alignment Stage



Drawing:

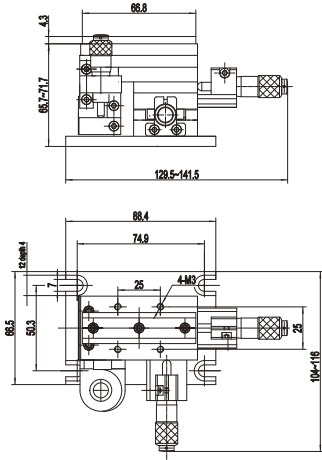


Specification:

- Ty: 12mm Tz: 6mm
- Sensitivity: $< 2\mu\text{m}$

APFP-XYZ Precision Fiber Alignment Stage, 13mm XY, 6mm Z Micrometers

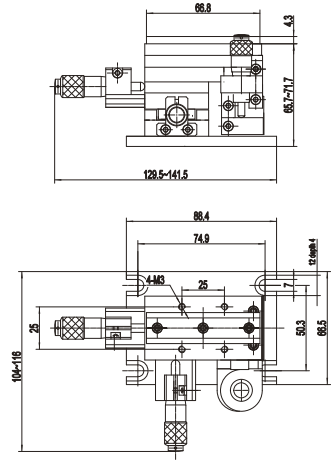
APFP-XYZ ▼



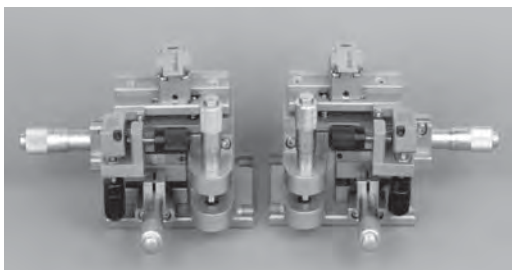
Specification:

- Tx: 12mm
- Ty: 12mm
- Tz: 6mm
- Sensitivity: $< 2\mu\text{m}$

APFP-XYZL ▼

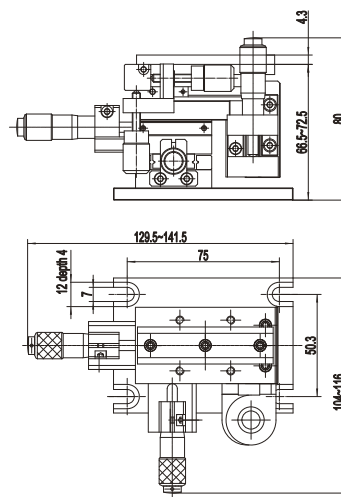


APFP-XYZT(L) Precision Fiber Alignment Stage

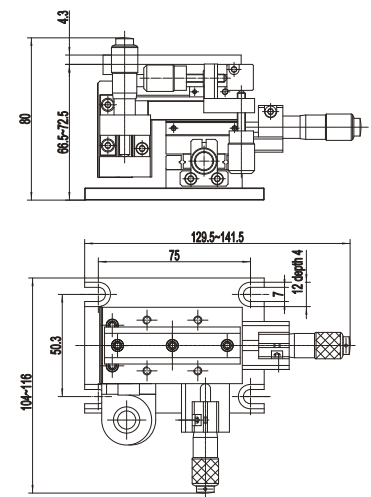


Drawing:

APFP-XYZTL ▼



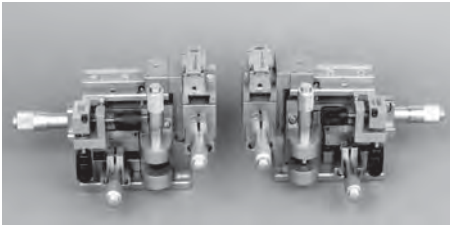
APFP-XYZT ▼



Specification:

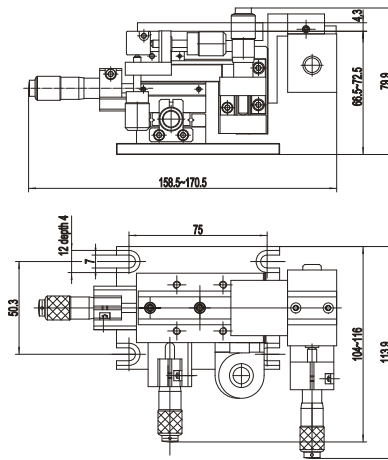
- $\theta_y: \pm 3^\circ$ $\theta_z: \pm 3^\circ$
- Tx: 12mm
- Ty: 12mm
- Tz: 6mm
- Sensitivity: $< 2\mu\text{m}$

APFP-XYZT θ (L) Precision Fiber Alignment Stage

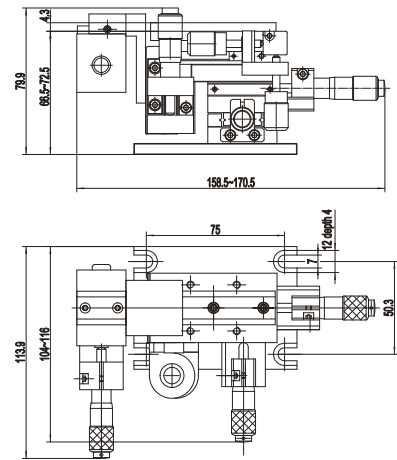


Drawing:

APFP-XYZT θ (L) ▼



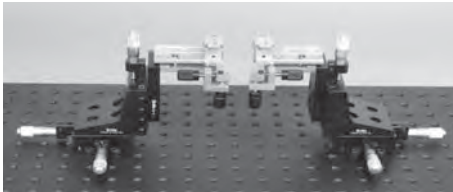
APFP-XYZT θ ▼



Specification:

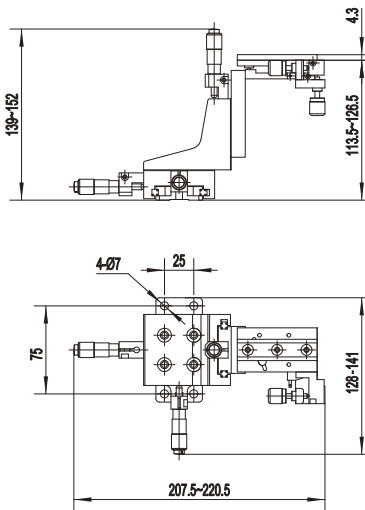
- θ_x : $\pm 7^\circ$ θ_y : $\pm 3^\circ$ θ_z : $\pm 3^\circ$
- Tx: 12mm; Ty: 12mm; Tz: 6mm

FP-XYZT Precision Fiber Alignment Stage

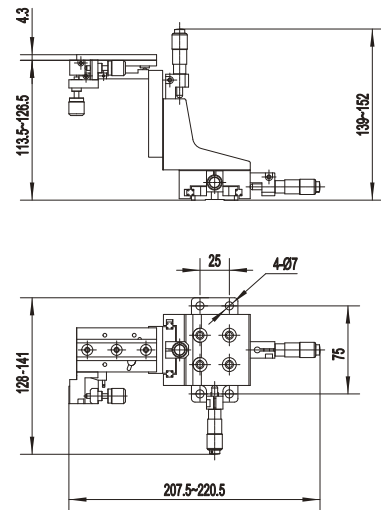


Drawing:

FP-XYZT(L) ▼



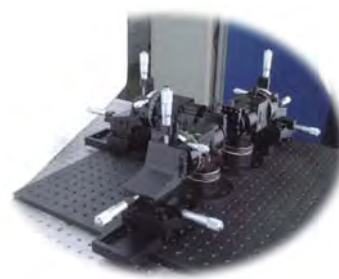
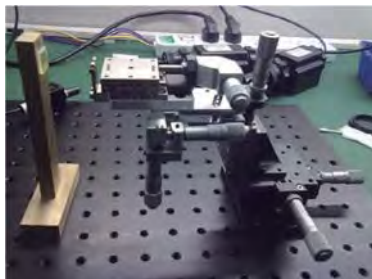
FP-XYZT ▼



Specification:

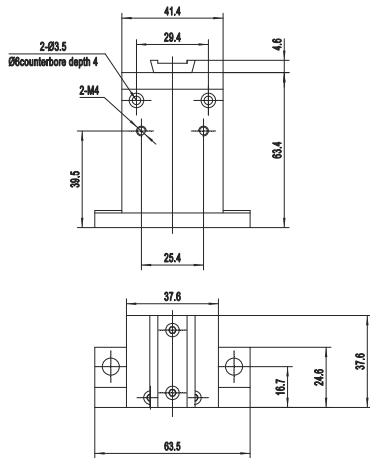
- Tx: 13mm
- Ty: 13mm
- Tz: 13mm
- θ_y : $\pm 3^\circ$
- θ_z : $\pm 3^\circ$

Application:

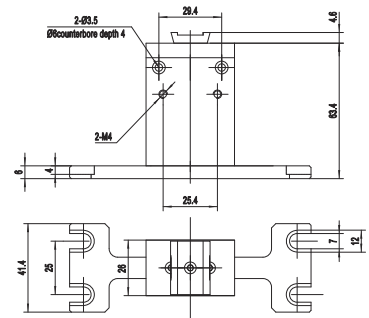
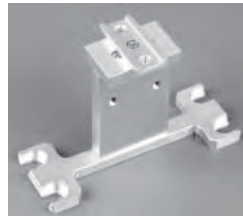


AP Series Fiber Alignment Accessories

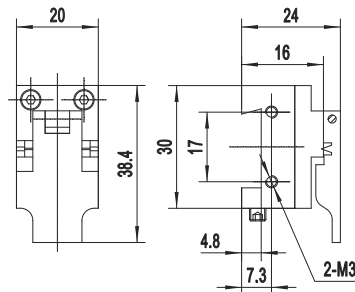
APFP-US Fixed Platform, Universal Stand



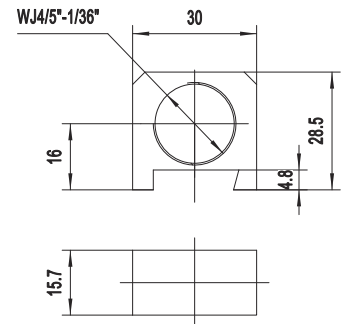
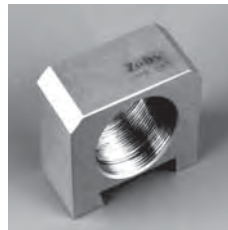
APFP-TS Fixed Platform, Narrow Profile T-Stand



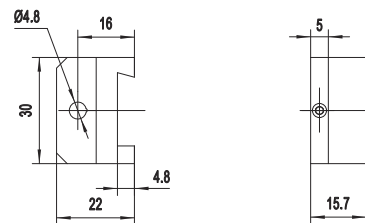
APFP-FH Bare Fiber Holder for 125um Fiber



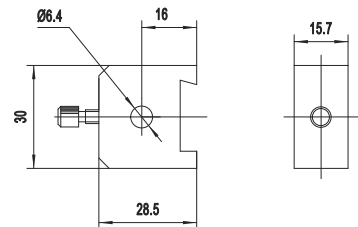
APFP-OM Objective Lens Mount



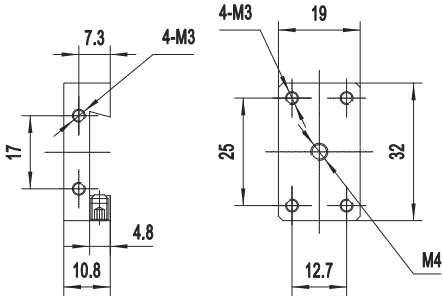
APFP-GH GRIN Lens Mount (Fiber Diameter < 4.8mm)



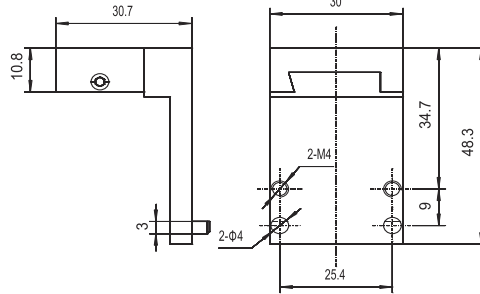
APFP-FC Fiber Chuck Holder, (Fiber Diameter is 6.35mm)



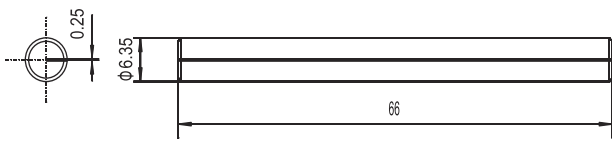
APFP-UM Universal Module



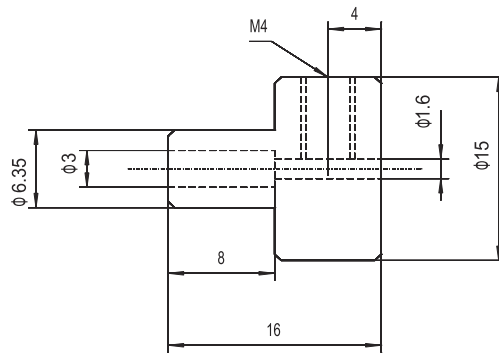
APFP-GB Right Angle Module



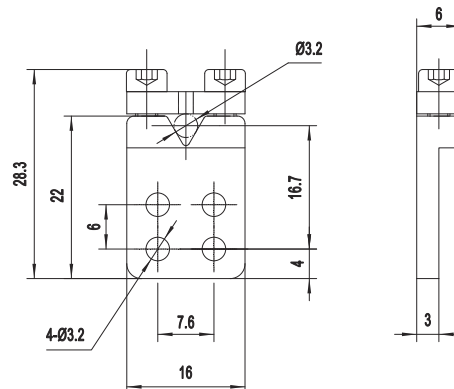
APFCH-1 Fiber Chuck ,0.08-0.2mm Diameter



APFCH-2 Fiber Chuck,0.2-1.5mm Diameter



APFCH-3 Fiber Chuck, Multiple Diameter



Manual Linear Stages

Selection Guide:

Series	Table Size(mm)	Travel(mm)	Bearing Type	Sensitivity(um)	Base Material	Drive Type
NFP-x461	40x40	13	Crossed-Roller	<1	304 Stainless Steel	Micrometer
NFP-x462	65x65	25		<1		
NFPA-x461	40x40	13		<0.1		Motor
NFPA-x462	65x65	25		<0.1		
(A)KSM13-40	40x40	13	Ball Bearing	<2	Al Alloy	Screw/Micrometer
(A)KSM25-65	65x65	25		<3		
(A)PSM13-34	34x34	13		<3		
(A)PSM25-45	45x45	25		<3		
(A)PSM25-65	65x65	25	Ball Bearing	3	Al Alloy	Screw
TSM13	34x34	13		3		Screw
TSM25	65x65	25	Ball Bearing	3	Al Alloy	Screw
TSMxxD		13/25/50/75/125	Dovetail			Pinion&Rack/Screw

NFP Series Crossed-Roller Bearing Linear Stages

NFP-1461 Crossed-Roller Bearing Linear Stage ,13mm Travel,Sensitivity < 1µm

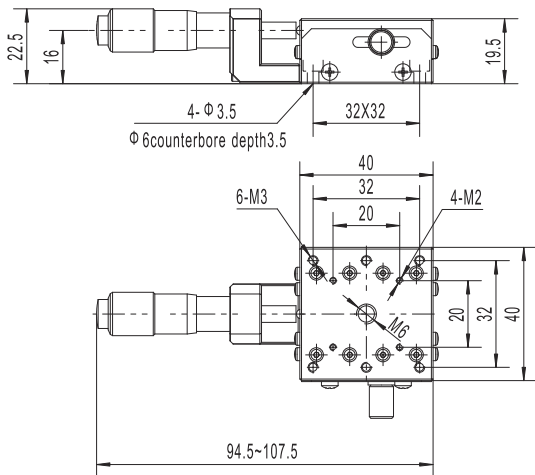


Model Sheet:

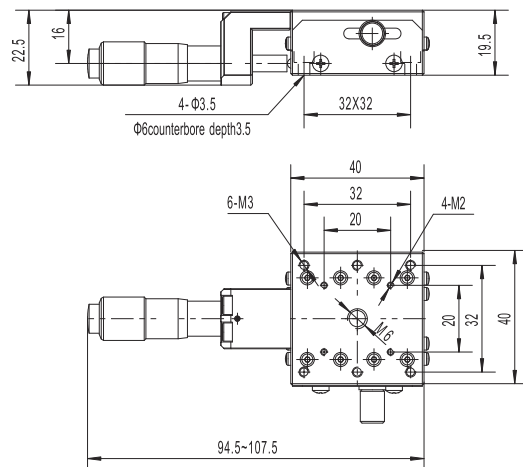
Model	NFP-1461C	NFP-1461CZ	NFP-1461SR	NFP-1461SL
Travel (mm)	13			
Sensitivity (mm)	<0.001			
Table Size (mm)	40x40			
Bearings	Crossed-Roller Bearing			
Straightness (µm)	<3			
Drive Position	Center	Used in vertical	Right	Left
Load Capacity(Kg)	5	1.5	5	5

Drawing:

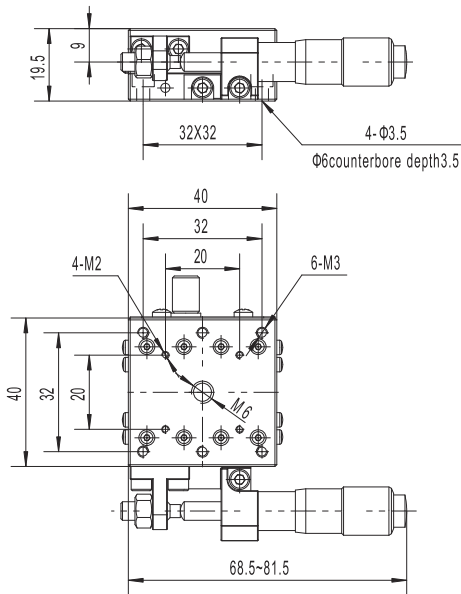
NFP-1461C ▼



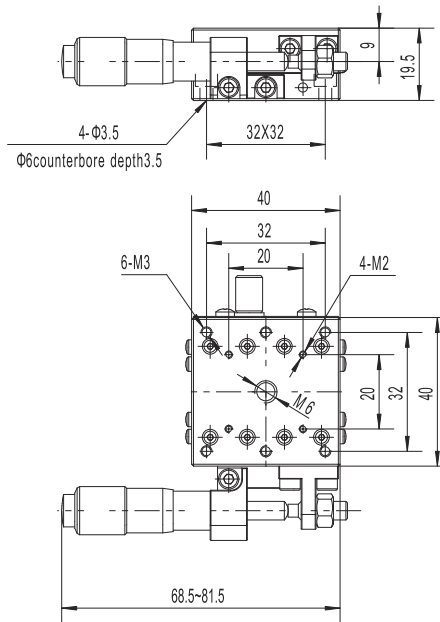
NFP-1461CZ ▼



NFP-1461SL ▼



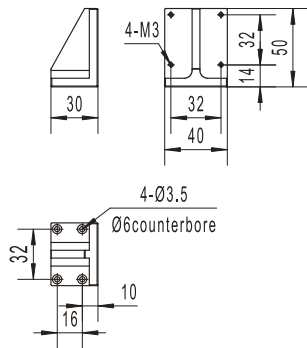
NFP-1461SR ▼



461 Accessories:

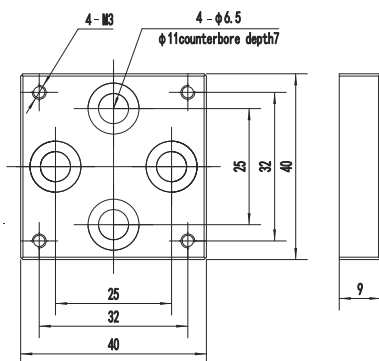
Right Bracket with NFP-1461CZ

NFP-461-ZKit ▼

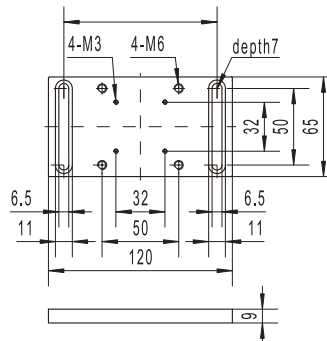


461 Base:

NFP-461-Base ▼



NFP-462-Base ▼

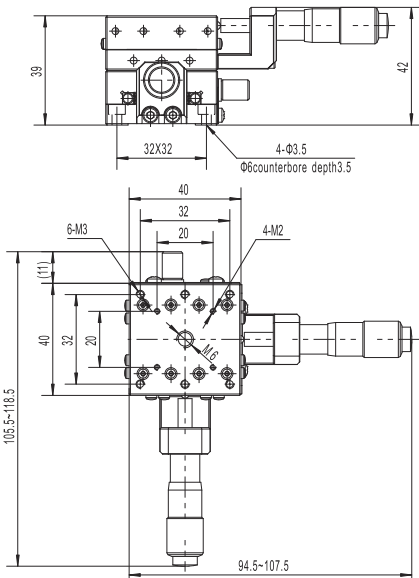


NFP-2461 Crossed-Roller Bearing Linear Stage, 13mm Travel XY, Sensitivity < 1µm

NFP-2461CC



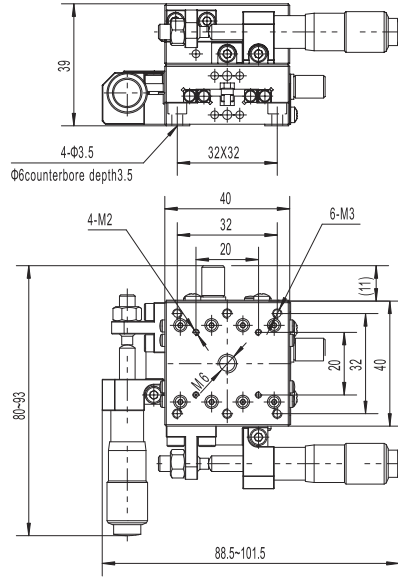
Combination Products
NFP-1461C 2PCS



NFP-2461LL



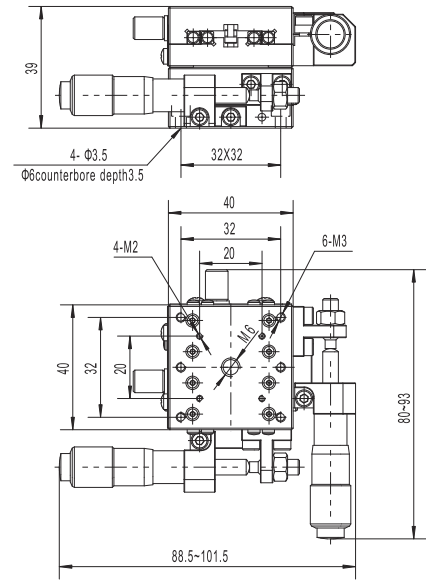
Combination Products
NFP-1461SL 2PCS



NFP-2461RR



Combination Products
NFP-1461SR 2PCS

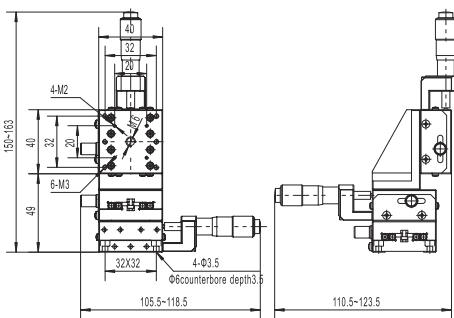


NFP-3461 Crossed-Roller Bearing Linear Stage, 13mm Travel XYZ, Sensitivity < 1µm

NFP-3461CCZ



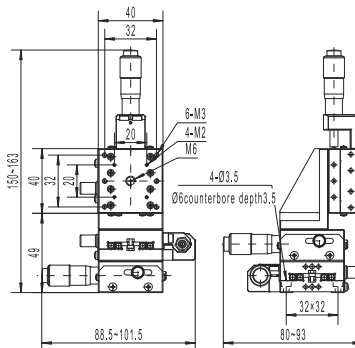
Combination Products:
NFP-1461C 2PCS
NFP-1461CZ 1PC
NFP-461-Zkit 1PC



NFP-3461LLZ



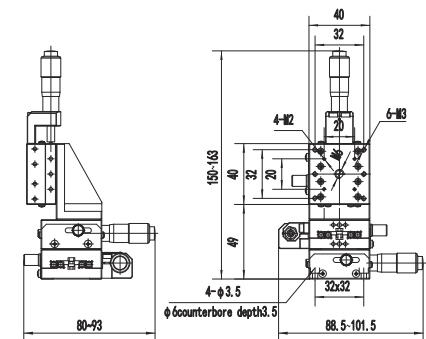
Combination Products:
NFP-1461SL 2PCS
NFP-1461CZ 1PC
NFP-461-Zkit 1PC



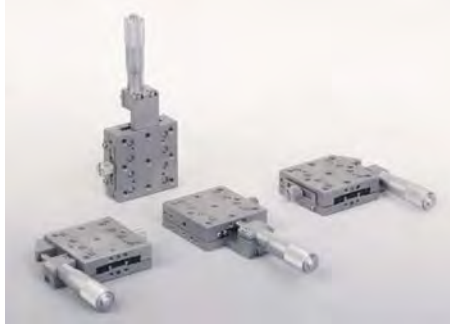
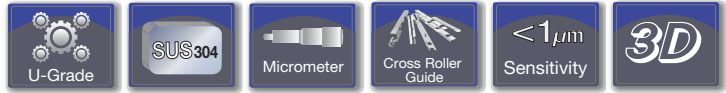
NFP-3461RRZ



Combination Products:
NFP-1461SR 2PCS
NFP-1461CZ 1PC
NFP-461-Zkit 1PC



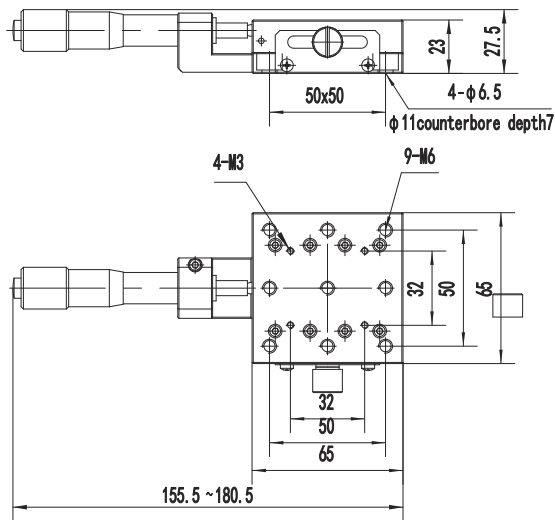
NFP-1462 Crossed-Roller Bearing Linear Stage ,25mm Travel,Sensitivity < 1µm



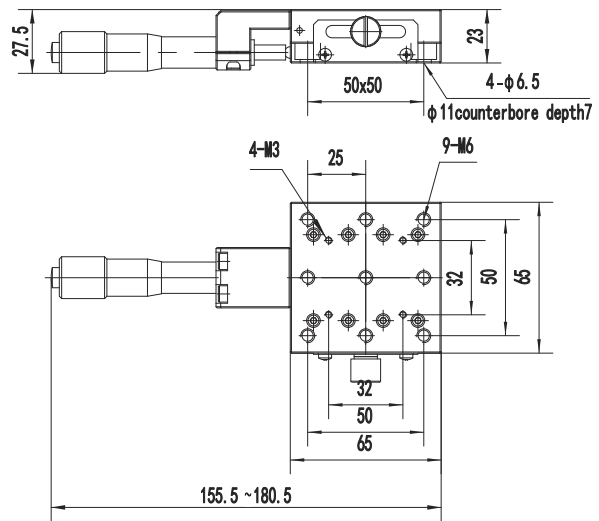
Model	NFP-1462C	NFP-1462CZ	NFP-1462SR	NFP-1462SL
Travel Range(mm)	25			
Sensitivity (mm)	0.001			
Table Size (mm)	65x65			
Bearings	Crossed-Roller Bearing			
Straightness (µm)	<3			
Drive Position	Center	Used in vertical	Right	Left
Load Capacity(Kg)	7	2.5	7	7

Drawing:

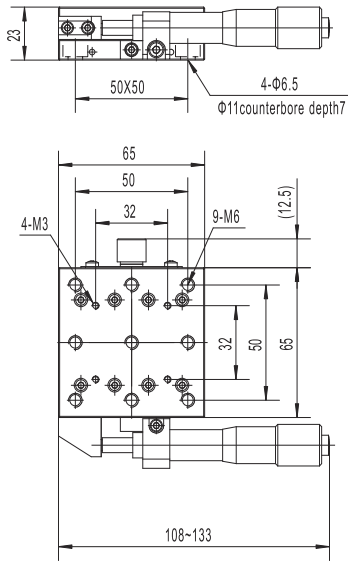
NFP-1462C ▼



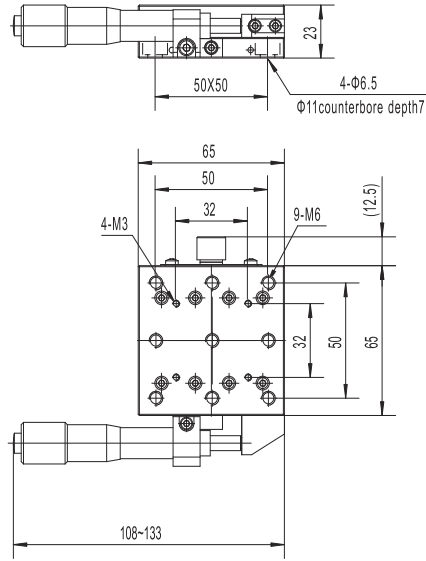
NFP-1462CZ ▼



NFP-1462SL ▼



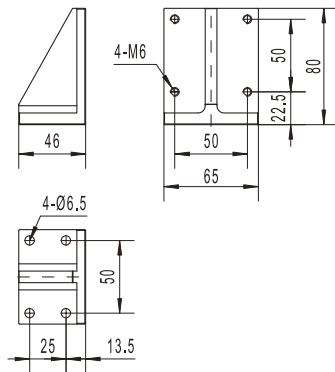
NFP-1462SR ▼



462 Accessories:

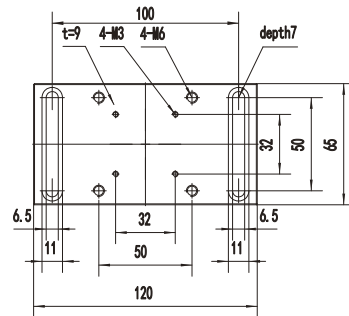
Right Bracket with NFP-1463CZ

NFP-462-ZKit ▼



462 Base:

NFP-462-Base ▼

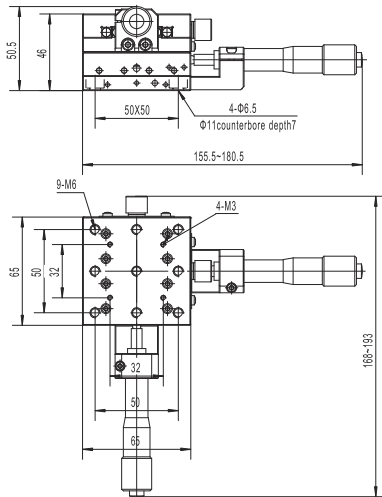


NFP-2462 Crossed-Roller Bearing Linear Stage ,25mm Travel XY,Sensitivity <1um

NFP-2462CC

Combination Products:

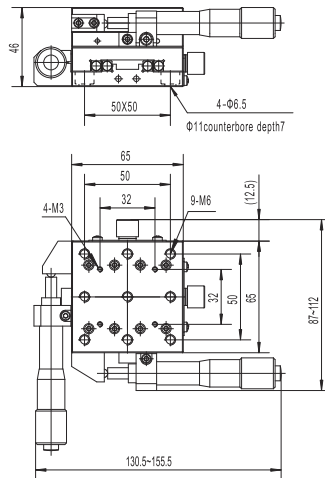
NFP-1462C 2PCS



NFP-2462LL

Combination Products:

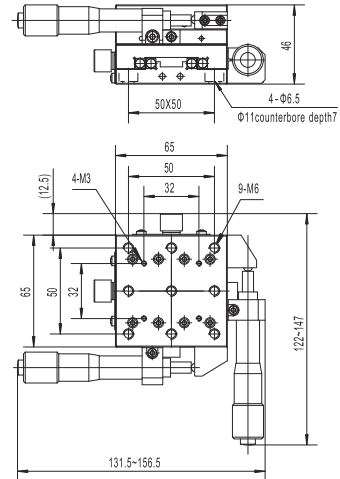
NFP-1462SL 2PCS



NFP-2462RR

Combination Products:

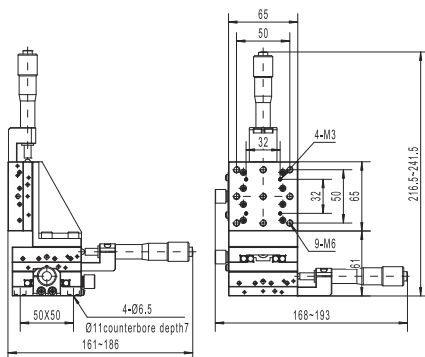
NFP-1462SR 2PCS



NFP-3462CCZ

Combination Products:

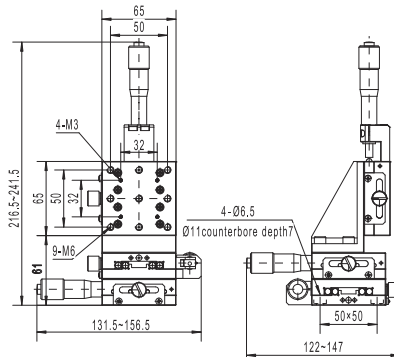
NFP-1462C 2PCS
NFP-1462CZ 1PC
NFP-462-Zkit 1PC



NFP-3462LLZ

Combination Products:

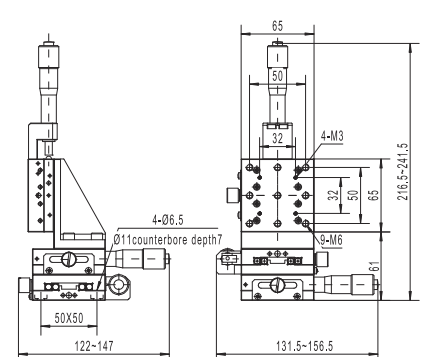
NFP-1462SL 2PCS
NFP-1462CZ 1PC
NFP-462-Zkit 1PC



NFP-3462RRZ

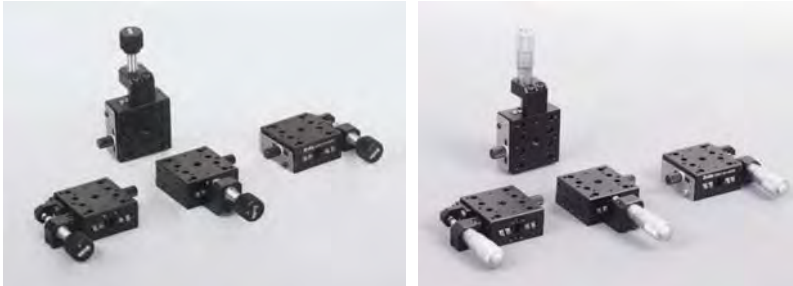
Combination Products:

NFP-1462SR 2PCS
NFP-1462CZ 1PC
NFP-462-Zkit 1PC



KSM Series Crossed-Roller Bearing Linear Stages

KSM13(A)-40 Crossed-Roller Bearing Linear Stage, 13mm Travel, Sensitivity < 2um

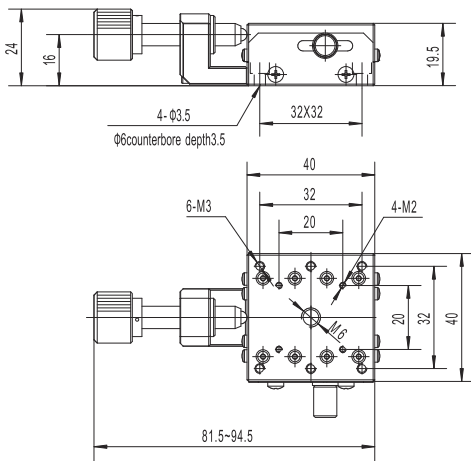


Model Sheet:

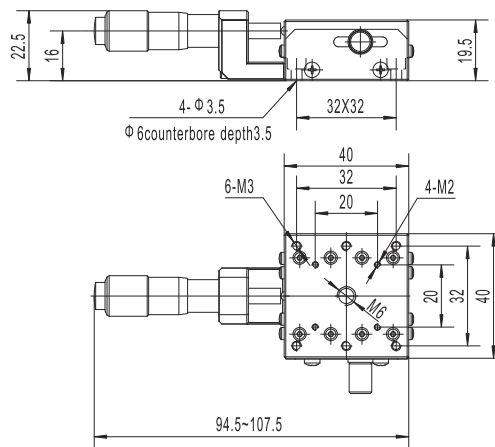
Model	KSM13(A)-40C	KSM13(A)-40CZ	KSM13(A)-40SR	KSM13(A)-40SL
Travel (mm)	13			
Sensitivity (mm)	<0.002			
Table Size(mm)	40X40			
Bearings	Crossed-Roller bearing			
Drive	Screw(Micrometer)			
Drive Position	Center	Be used in vertical	Right	Left
Load Capacity(Kg)	5	1.5	5	5

Drawing:

KSM13-40C ▼



KSM13A-40C ▼



KSM Crossed-Roller Bearing Linear Stage

Fiber Alignment Stages

Manual Linear Stages

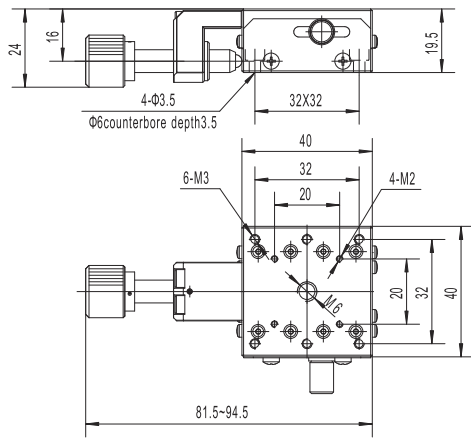
Manual Vertical Stages

Manual Rotation Stages

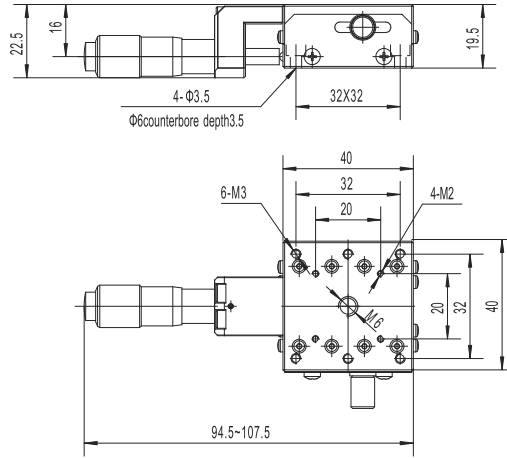
Manual Goniometer/Tilt Stages

Combinated Stages

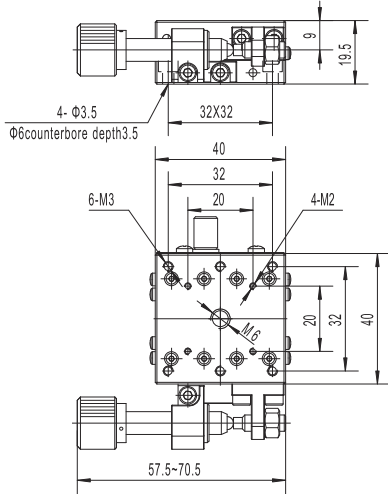
KSM13-40CZ ▼



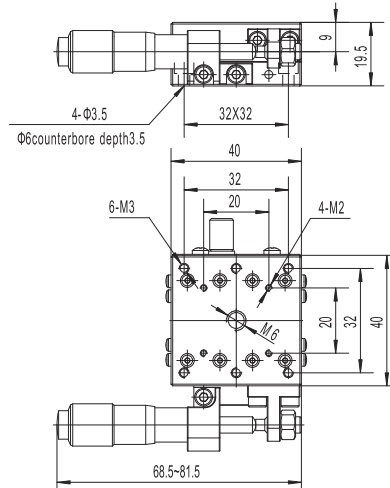
KSM13A-40CZ ▼



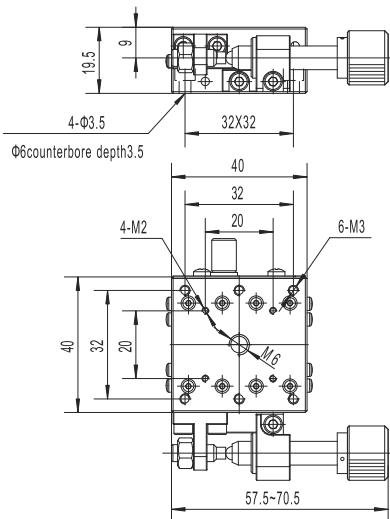
KSM13-40SR ▼



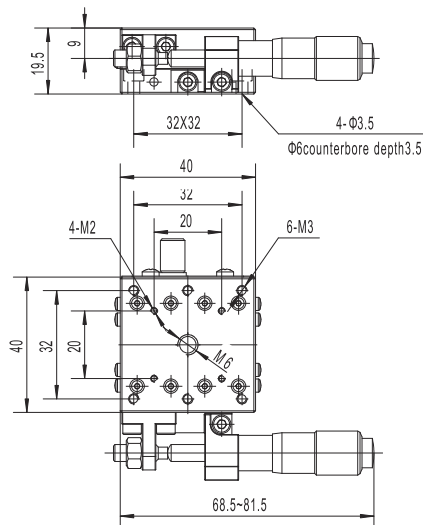
KSM13A-40SR ▼



KSM13-40SL ▼



KSM13A-40SL ▼



KSM25(A) Crossed-Roller Bearing Linear Stage, 25mm Travel, Sensitivity < 2µm

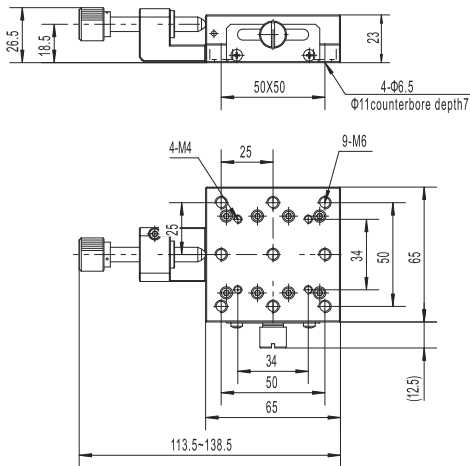


Model Sheet:

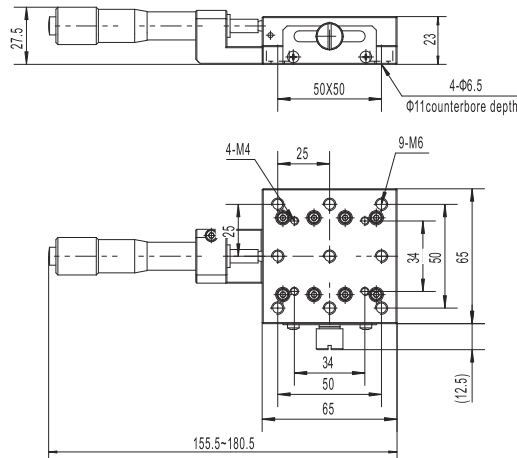
Model	KSM25(A)-65C	KSM25(A)-65CZ	KSM25(A)-65SR	KSM25(A)-65SL
Travel (mm)	25			
Sensitivity (mm)	<0.002			
Table Size(mm)	65x65			
Bearings	Crossed-Roller Bearing			
Drive	Screw(micrometer)			
Drive Position	Center	Be used in vertical	Right	Left
Load Capacity(Kg)	7	2.5	7	7

Drawing:

KSM25-65C ▼



KSM25A-65C ▼



KSM Crossed-Roller Bearing Linear Stage

Fiber Alignment Stages

Manual Linear Stages

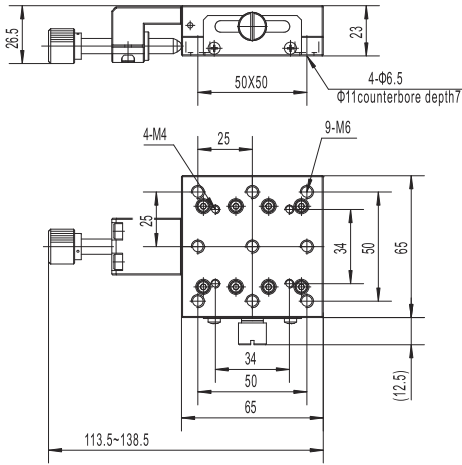
Manual Rotation Stages

Manual Rotation Stages

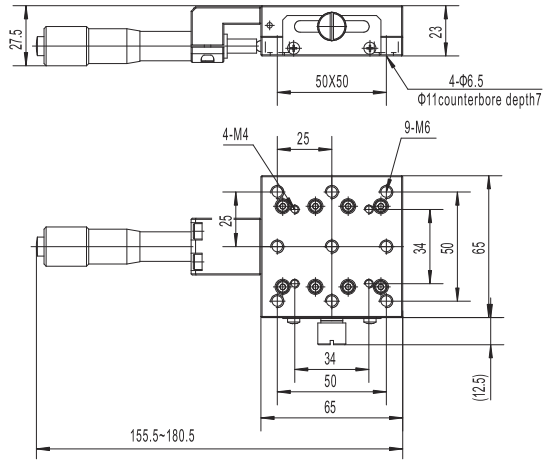
Manual Goniometer/Tilt Stages

Combinated Stages

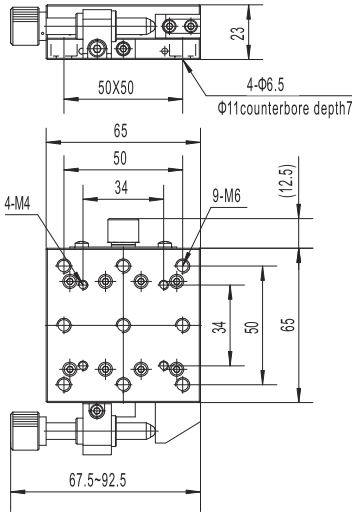
KSM25-65CZ ▼



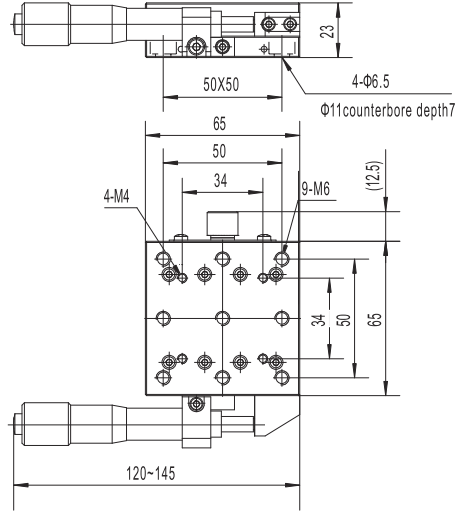
KSM25A-65CZ ▼



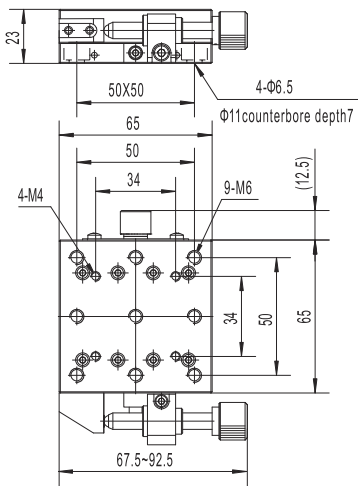
KSM25-65SR ▼



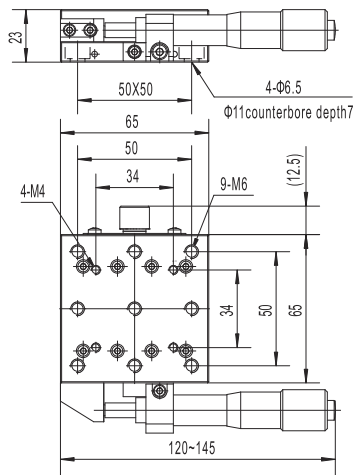
KSM25A-65SR ▼



KSM25-65SL ▼



KSM25A-65SL ▼



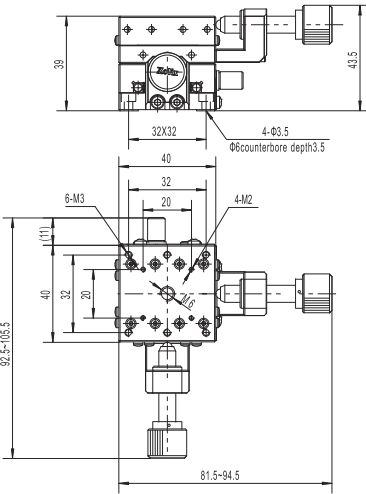


AKSM13(A)-40 Crossed-Roller Bearing Linear Stage, 13mm Travel XY, Sensitivity <math>< 2_{\mu m}</math>

AKSM13-40CC



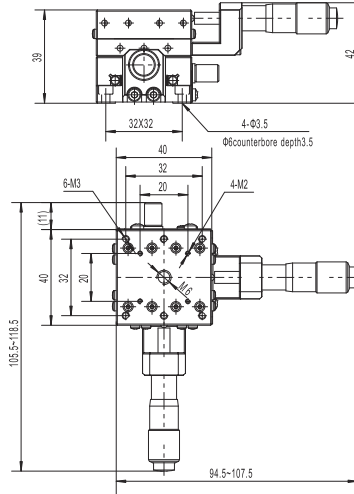
- Specification:
- Axis: XY
 - Travel: Tx, Ty: 13mm
- Combination Products:
- KSM13-40C 2PCS



AKSM13A-40CC



- Specification:
- Axis: XY
 - Travel: Tx, Ty: 13mm
- Combination Products:
- KSM13A-40C 2PCS

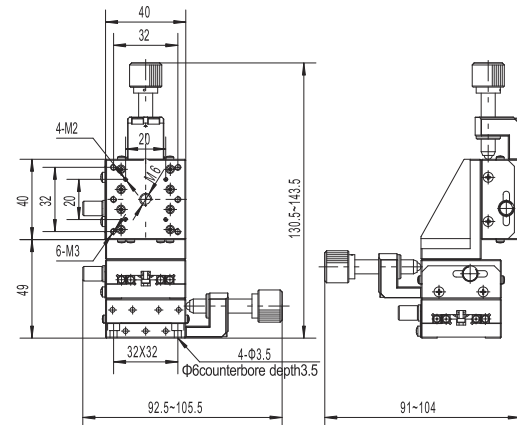


AKSM13(A)-40 Crossed-Roller Bearing Linear Stage, 13mm Travel XYZ, Sensitivity <math>< 2_{\mu m}</math>

AKSM13-40CCZ



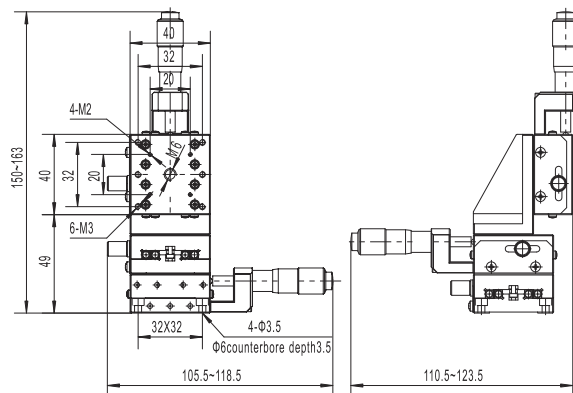
- Specification:
- Axis: XYZ
 - Travel: Tx, Ty, Tz: 13mm
- Combination Products:
- KSM13-40C 2PCS
 - KSM13-40CZ 1PC
 - PHOB-10 1PC



AKSM13A-40CCZ



- Specification:
- Axis: XYZ
 - Travel: Tx, Ty, Tz: 13mm
- Combination Products:
- KSM13A-40C 2PCS
 - KSM13A-40CZ 1PC
 - PHOB-10 1PC



AKSM13-40LL

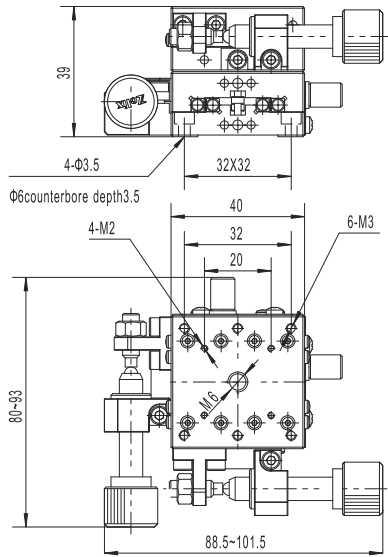


Specification:

- Axis: XY
- Travel: Tx,Ty: 13mm

Combination Products:

- KSM13-40SL 2PCS



AKSM13A-40LL

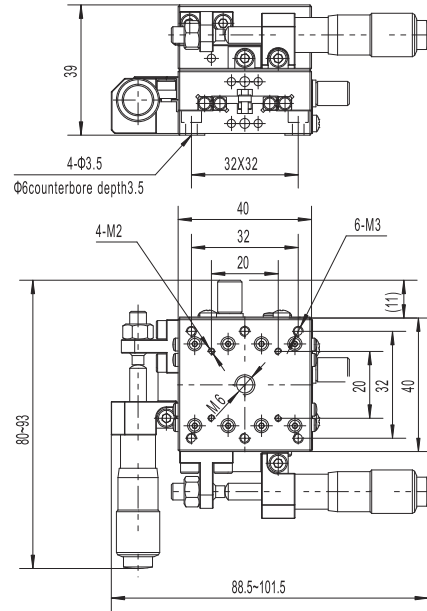


Specification:

- Axis: XY
- Travel: Tx,Ty: 13mm

Combination Products:

- KSM13A-40SL 2PCS



AKSM13-40LLZ

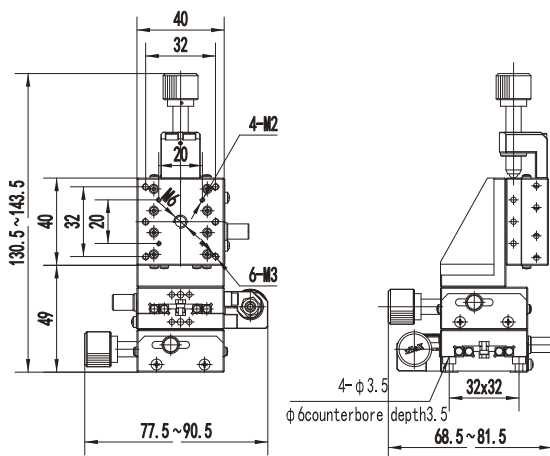


Specification:

- Axis: XYZ
- Travel: Tx,Ty,Tz: 13mm

Combination Products:

- KSM13-40SL 2PCS
- KSM13-40CZ 1PC
- PHOB-10 1PC



AKSM13A-40LLZ

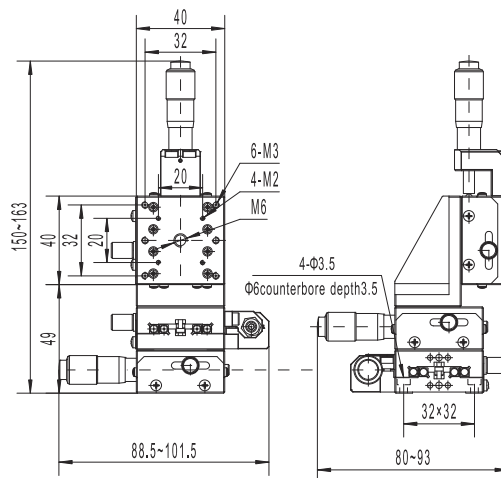


Specification:

- Axis: XYZ
- Travel: Tx,Ty,Tz: 13mm

Combination Products:

- KSM13A-40SL 2PCS
- KSM13A-40CZ 1PC
- PHOB-10 1PC

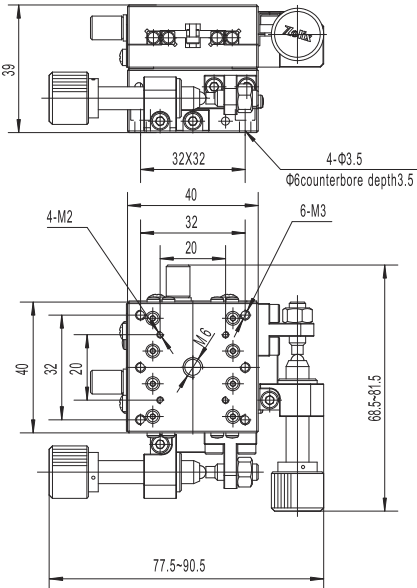


AKSM13-40RR



Specification:

- Axis: XY
 - Travel: Tx, Ty: 13mm
- Combination Products:
- KSM13-40SR 2PCS

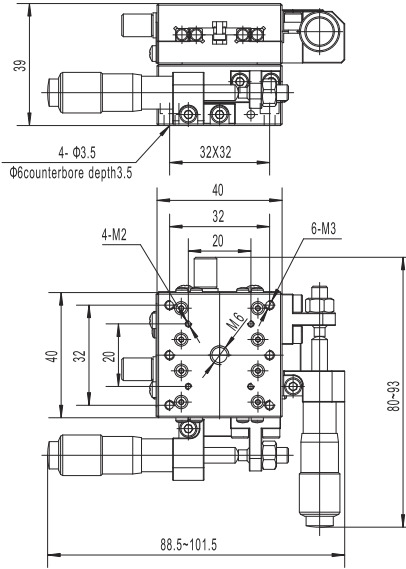


AKSM13A-40RR



Specification:

- Axis: XY
 - Travel: Tx, Ty: 13mm
- Combination Products:
- KSM13A-40SR 2PCS

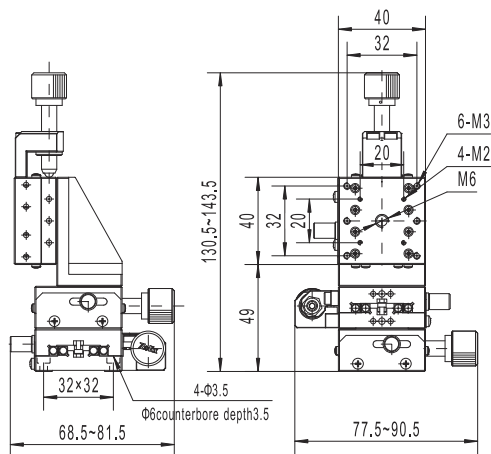


AKSM13-40RRZ



Specification:

- Axis: XYZ
 - Travel: Tx, Ty, Tz: 13mm
- Combination Products:
- KSM13-40SR 2PCS
 - KSM13-40CZ 1PC
 - PHOB-10 1PC

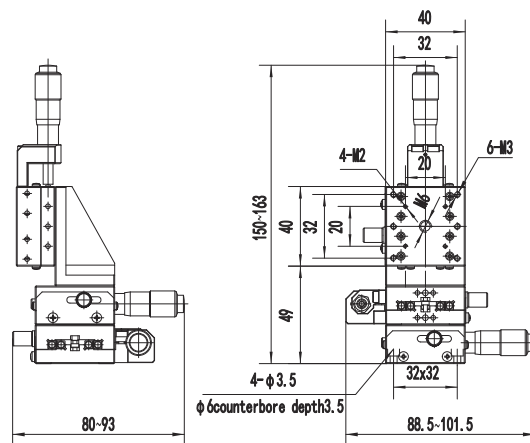


AKSM13A-40RRZ



Specification:

- Axis: XYZ
 - Travel: Tx, Ty, Tz: 13mm
- Combination Products:
- KSM13A-40SR 2PCS
 - KSM13A-40CZ 1PC
 - PHOB-10 1PC

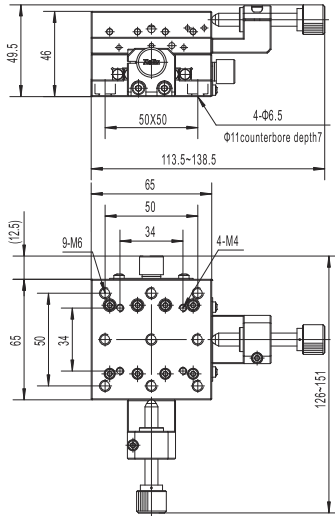


AKSM25(A)-65 Crossed-Roller Bearing Linear Stage, 25mm Travel XY, Sensitivity < 2um

AKSM25-65CC



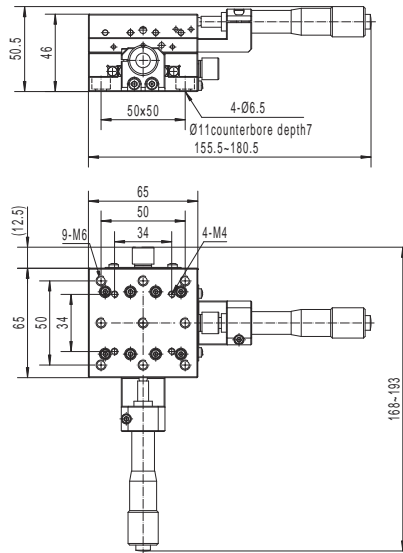
- Specification:
- Axis: XY
 - Travel: Tx, Ty: 25mm
- Combination Products:
- KSM25-65C 2PCS



AKSM25A-65CC



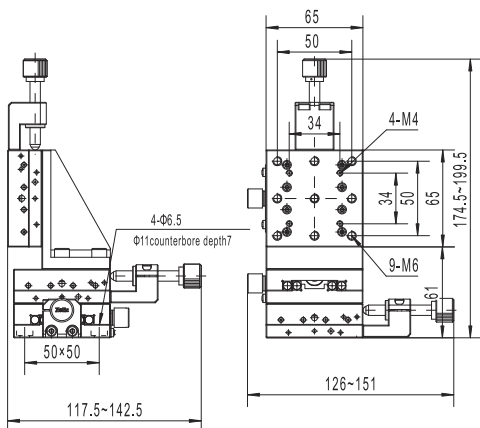
- Specification:
- Axis: XY
 - Travel: Tx, Ty: 25mm
- Combination Products:
- KSM25A-65C 2PCS



AKSM25-65CCZ



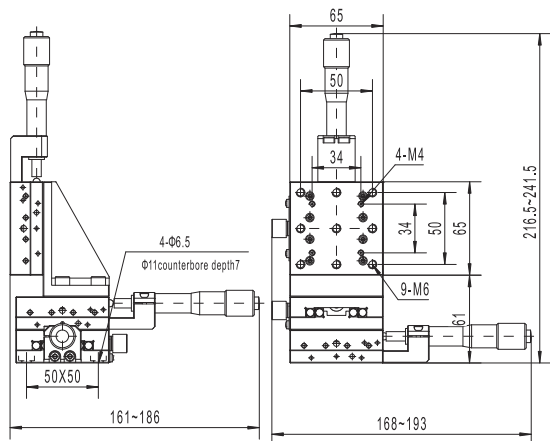
- Specification:
- Axis: XYZ
 - Travel: Tx, Ty, Tz: 25mm
- Combination Products:
- KSM25-65C 2PCS
 - KSM25-65CZ 1PC
 - PHOB-8 1PC



AKSM25A-65CCZ



- Specification:
- Axis: XYZ
 - Travel: Tx, Ty, Tz: 25mm
- Combination Products:
- KSM25A-65C 2PCS
 - KSM25A-65CZ 1PC
 - PHOB-8 1PC

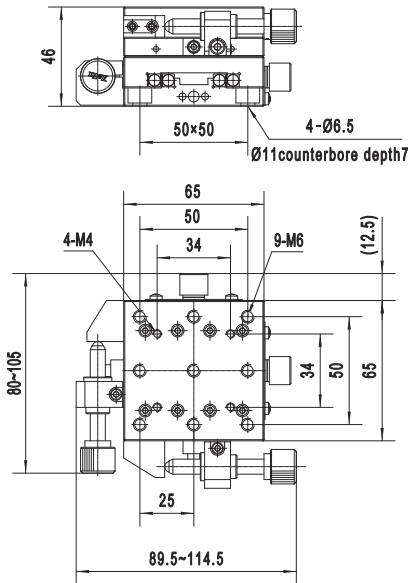


AKSM25(A)-65 Crossed-Roller Bearing Linear Stage, 25mm Travel XYZ, Sensitivity < 2um

AKSM25-65LL



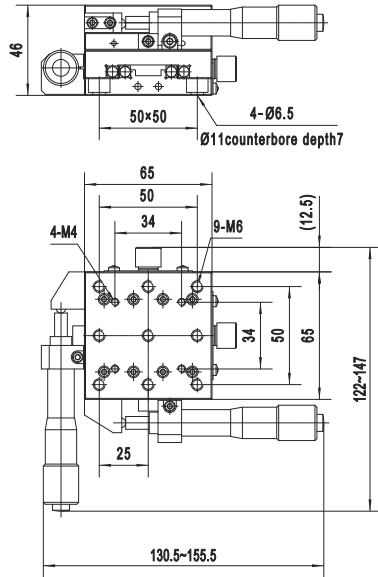
- Specification:
- Axis: XY
 - Travel: Tx, Ty: 25mm
- Combination Products:
- KSM25-65SL 2PCS



AKSM25A-65LL



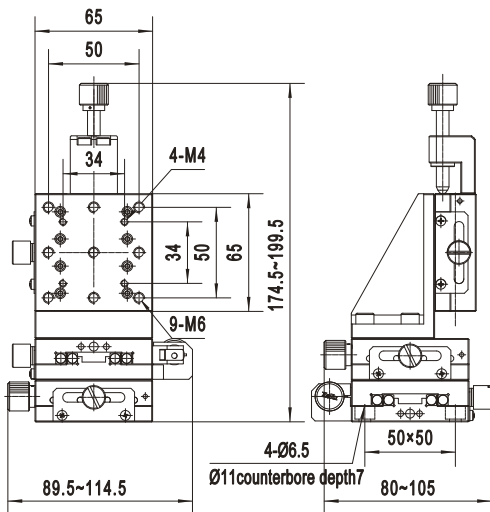
- Specification:
- Axis: XY
 - Travel: Tx, Ty: 25mm
- Combination Products:
- KSM25A-65SL 2PCS



AKSM25-65LLZ



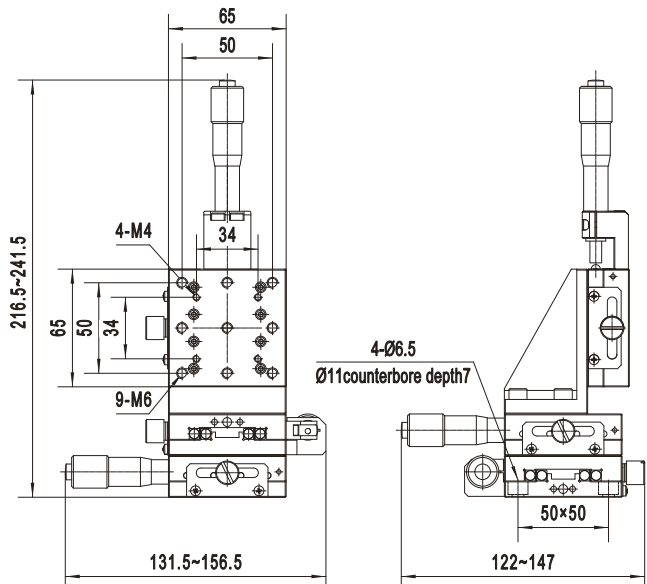
- Specification:
- Axis: XYZ
 - Travel: Tx, Ty, Tz: 25mm
- Combination Products:
- KSM25-65SL 2PCS
 - KSM25-65CZ 1PC
 - PHOB-8 1PC



AKSM25A-65LLZ



- Specification:
- Axis: XYZ
 - Travel: Tx, Ty, Tz: 25mm
- Combination Products:
- KSM25A-65SL 2PCS
 - KSM25A-65CZ 1PC
 - PHOB-8 1PC

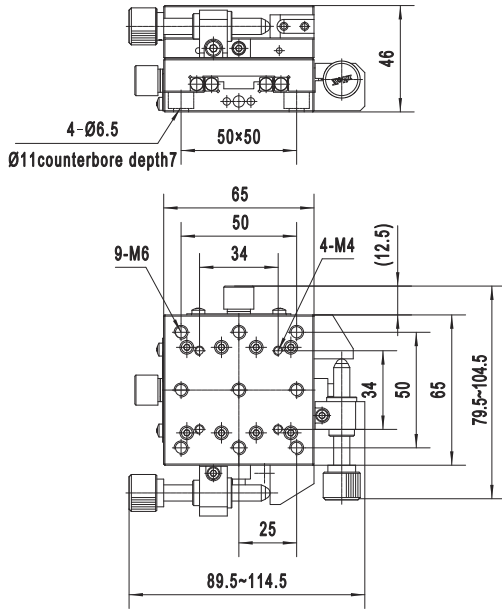


AKSM25-65RR



Specification:

- Axis: XY
- Travel: Tx, Ty: 25mm
- Combination Products:
 - KSM25-65SR 2PCS

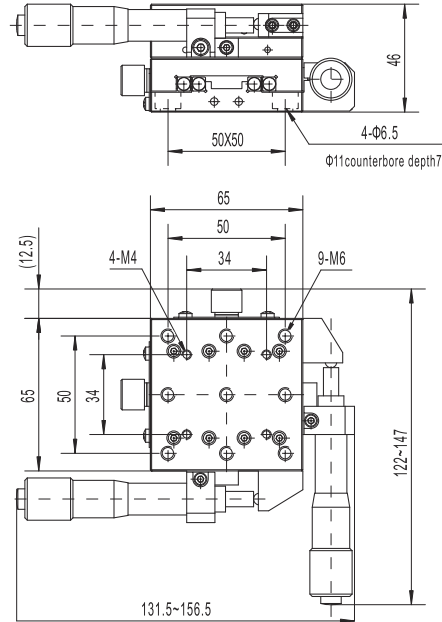


AKSM25A-65RR



Specification:

- Axis: XY
- Travel: Tx, Ty: 25mm
- Combination Products:
 - KSM25A-65SR 2PCS

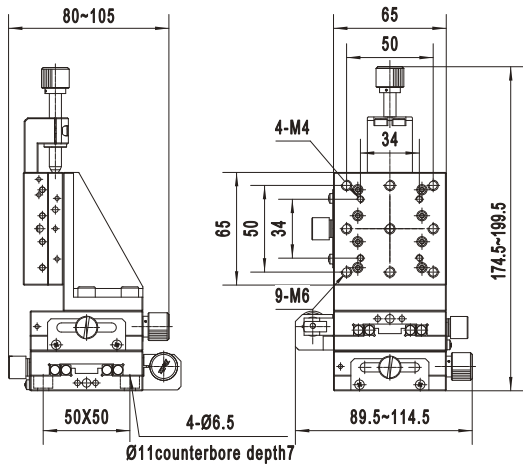


AKSM25-65RRZ



Specification:

- Axis: XYZ
- Travel: Tx, Ty, Tz: 25mm
- Combination Products:
 - KSM25-65SR 2PCS
 - KSM25-65CZ 1PC
 - PHOB-8 1PC

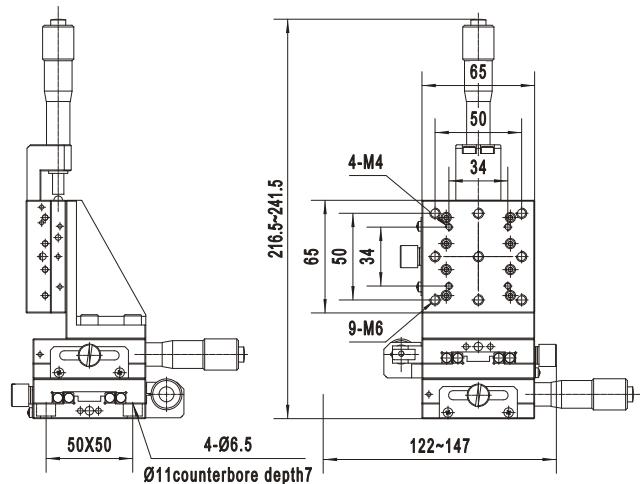


AKSM25A-65RRZ



Specification:

- Axis: XYZ
- Travel: Tx, Ty, Tz: 25mm
- Combination Products:
 - KSM25A-65SR 2PCS
 - KSM25A-65CZ 1PC
 - PHOB-8 1PC



PSM Series Ball Bearing Linear Stages



PSM13(A)-34 Ball Bearing Linear Stage, 13mm Travel, Sensitivity <math>< 3\mu\text{m}</math>

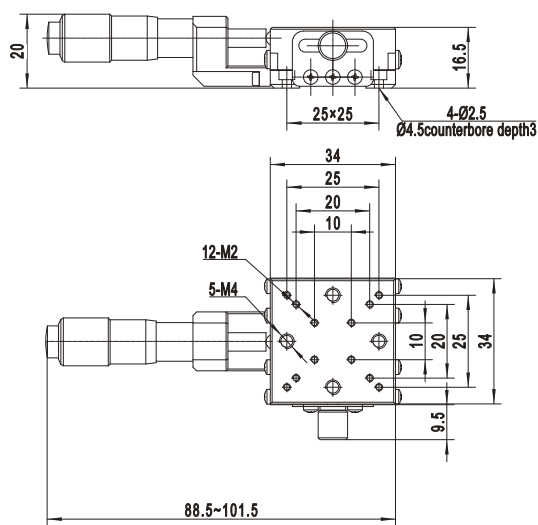
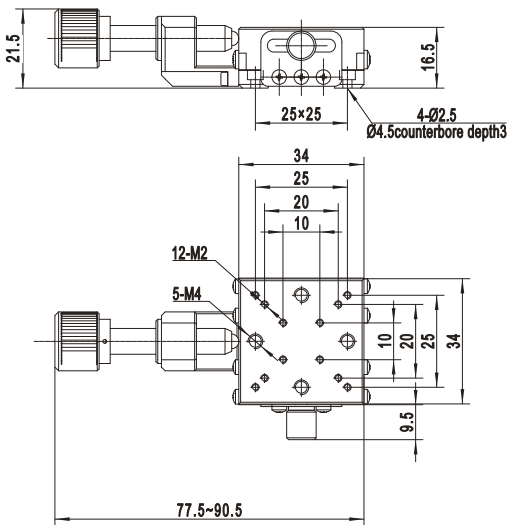
Model Sheet:

Model	PSM13(A)-34C	PSM13(A)-34CZ	PSM13(A)-34SR	PSM13(A)-34SL
Travel (mm)	13			
Sensitivity (mm)	<math>< 3\mu\text{m}</math>			
Table size(mm)	34x34			
Bearings	Ball Bearing			
Drive	Screw(micrometer)			
Drive position	Center	Be used in vertical	Right	Left
Load Capacity(Kg)	5	1.5	5	5

Drawing:

PSM13-34C ▼

PSM13A-34C ▼



PSM Ball Bearing Linear Stage

Fiber Alignment Stages

Manual Linear Stages

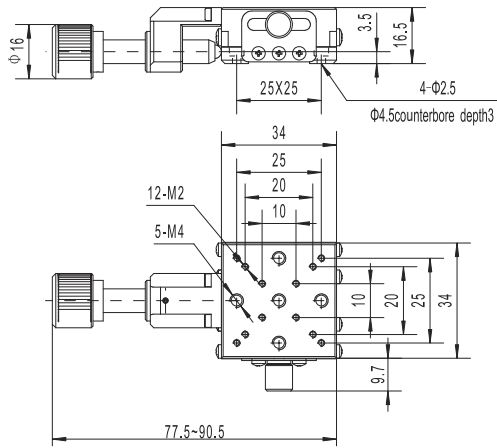
Manual Tilt Stages

Manual Rotation Stages

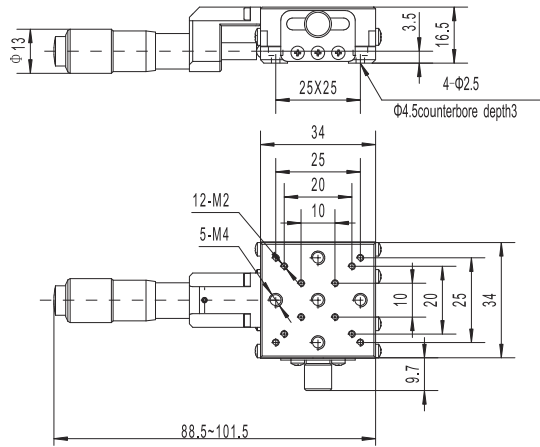
Manual Goniometer/Tilt Stages

Combinated Stages

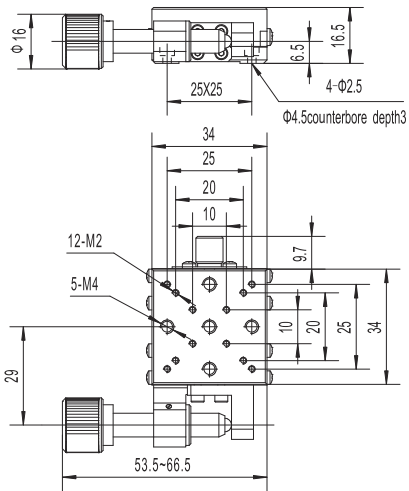
PSM13-34CZ ▼



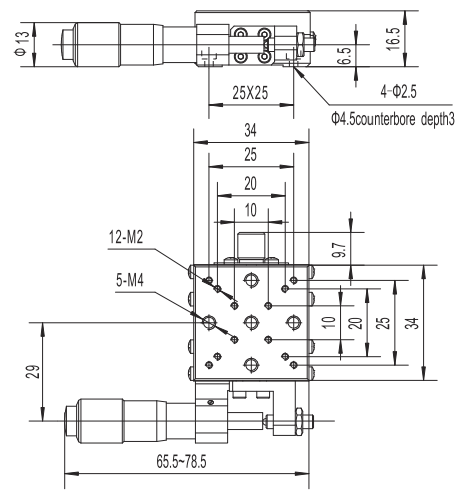
PSM13A-34CZ ▼



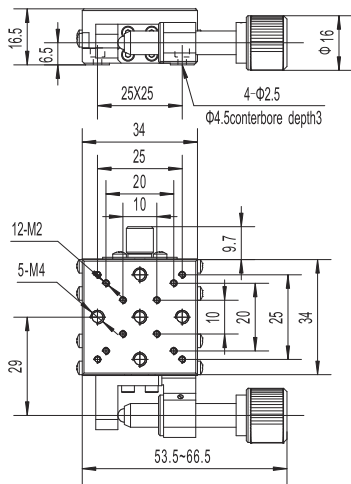
PSM13-34SR ▼



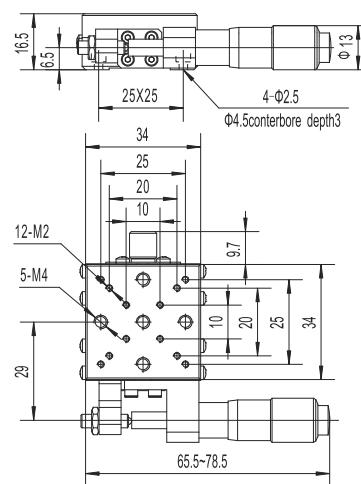
PSM13A-34SR ▼



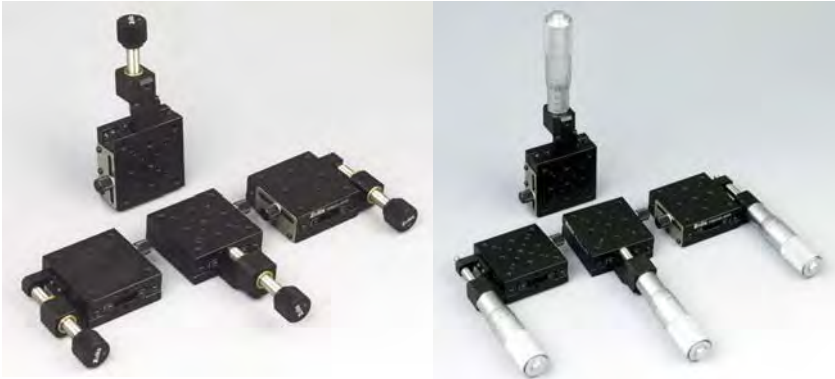
PSM13-34SL ▼



PSM13A-34SL ▼



PSM25(A)-45 Ball Bearing Linear Stage, 25mm Travel, Sensitivity < 3um

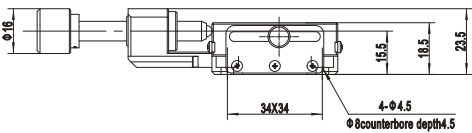


Model Sheet:

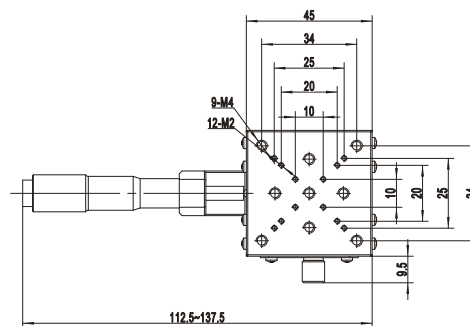
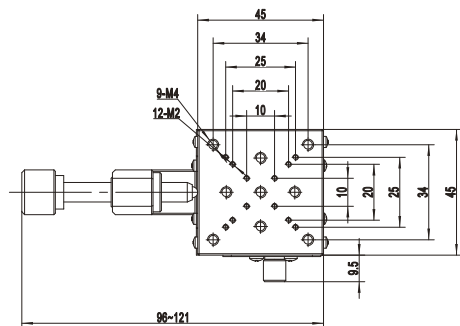
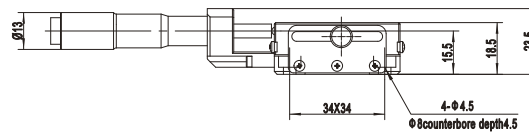
Model	PSM25(A)-45C	PSM25(A)-45CZ	PSM25(A)-45SR	PSM25(A)-65SL
Travel (mm)	25			
Sensitivity (mm)	<0.003			
Table Size(mm)	45x45			
Bearings	Ball Bearing			
Drive	Screw(micrometer)			
Drive Position	Center	Be used in vertical	Right	Left
Load Capacity(Kg)	5	1.5	5	5

Drawing:

PSM25-45C ▼



PSM25A-45C ▼



PSM Ball Bearing Linear Stage

Fiber Alignment Stages

Manual Linear Stages

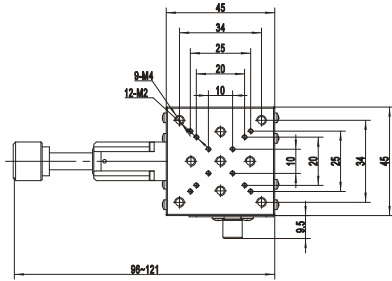
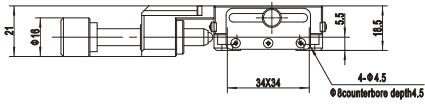
Manual Vertical Stages

Manual Rotation Stages

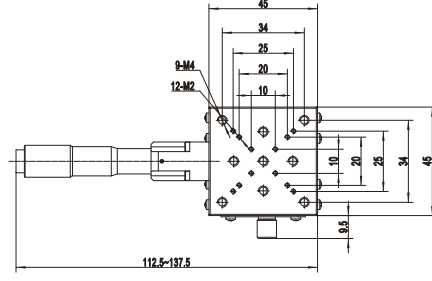
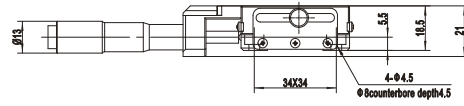
Manual Goniometer/Tilt Stages

Combinated Stages

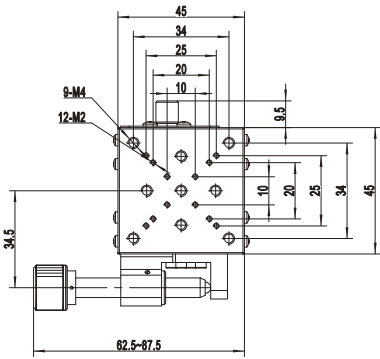
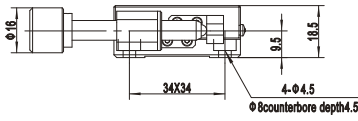
PSM25-45CZ ▼



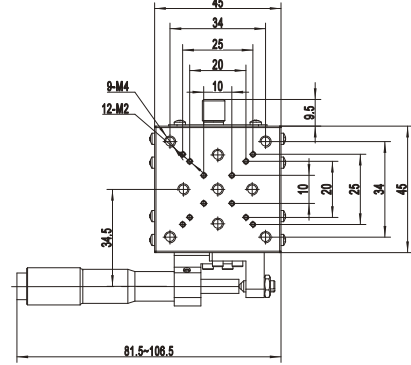
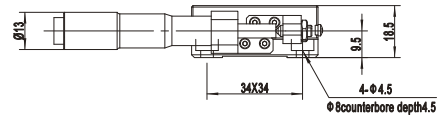
PSM25A-45CZ ▼



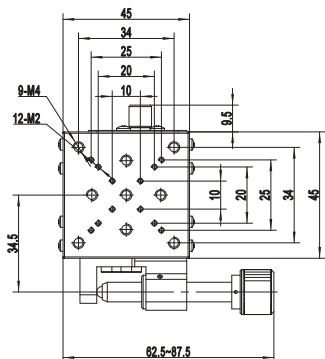
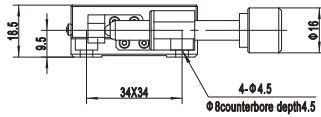
PSM25-45SR ▼



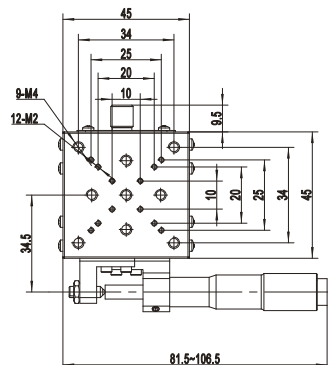
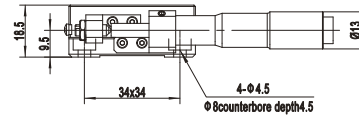
PSM25A-45SR ▼



PSM25-45SL ▼



PSM25A-45SL ▼



PSM25(A)-65 Ball Bearing Linear Stage, 25mm Travel, Sensitivity < 3um

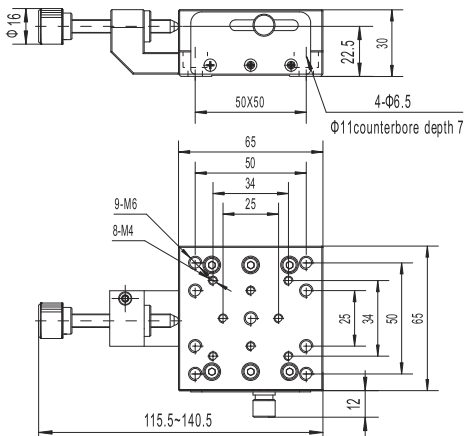


Model Sheet:

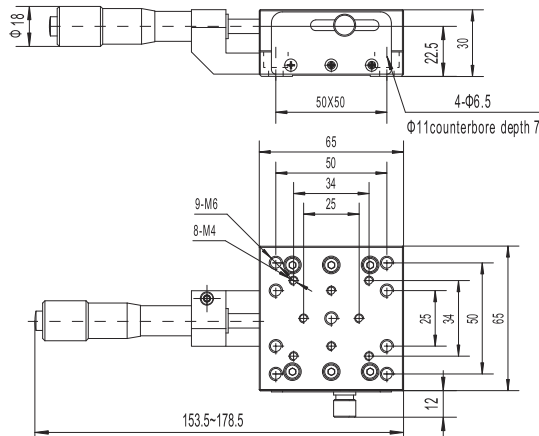
Model	PSM25(A)-65C	PSM25(A)-65CZ	PSM25(A)-65SR	PSM25(A)-65SL
Travel(mm)	25			
Sensitivity (mm)	< 0.003			
Table Size(mm)	65x65			
Bearings	Ball Bearing			
Drive	Screw(micrometer)			
Drive Position	Center	Be used in vertical	Right	Left
Load Capacity(Kg)	7	2.5	7	7

Drawing:

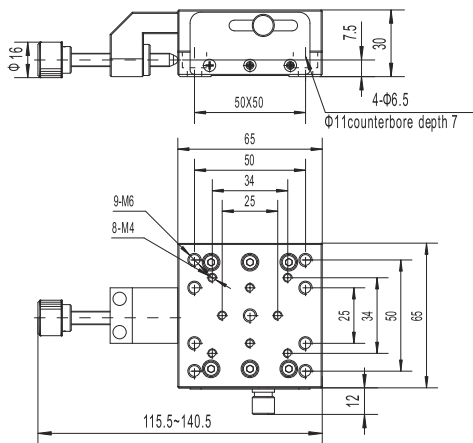
PSM25-65C ▼



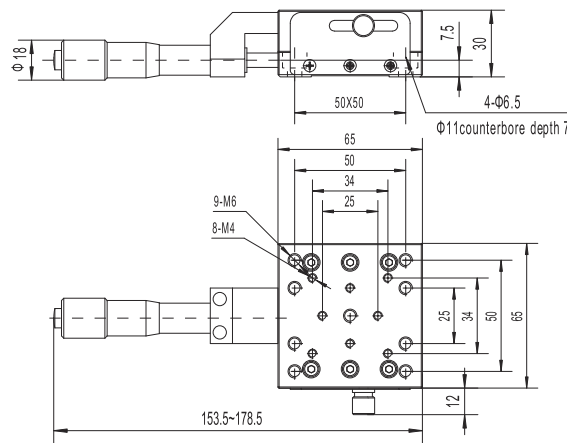
PSM25A-65C ▼



PSM25-65CZ ▼



PSM25A-65CZ ▼



PSM Ball Bearing Linear Stage

Fiber Alignment Stages

Manual Linear Stages

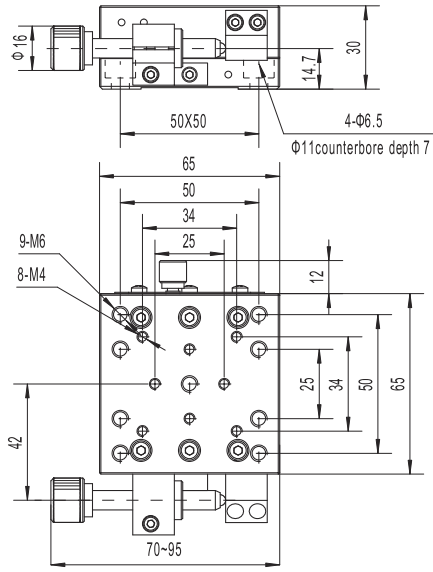
Manual Tilt Stages

Manual Rotation Stages

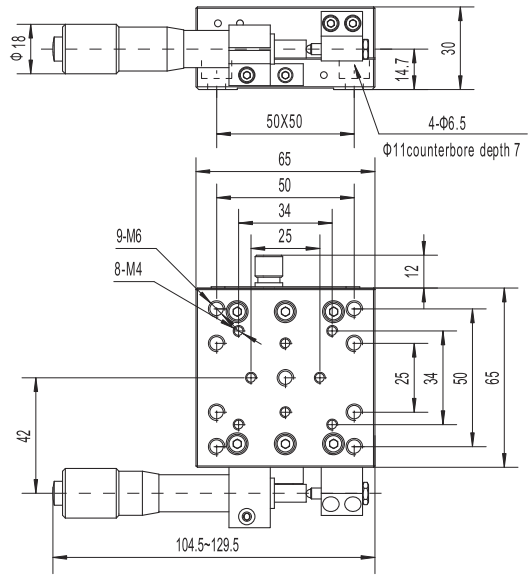
Manual Goniometer/Tilt Stages

Combinated Stages

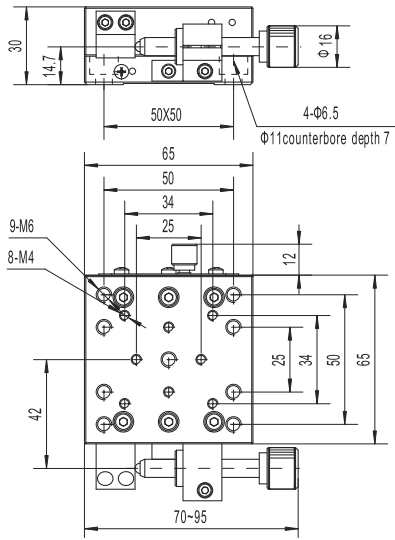
PSM25-65SR ▼



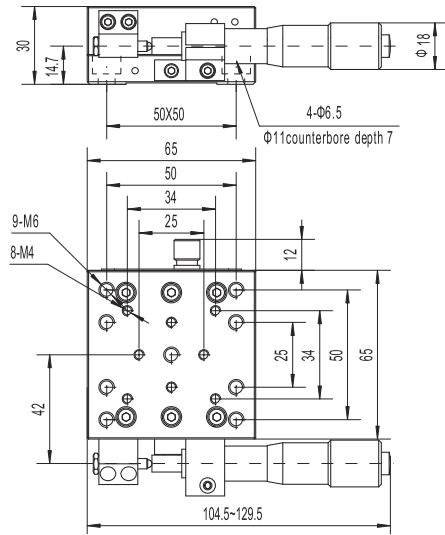
PSM25A-65SR ▼

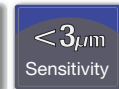


PSM25-65SL ▼



PSM25A-65SL ▼





APSM13(A)-34 Ball Bearing Linear Stage, 13mm Travel XY, Sensitivity <math>< 3_{\mu m}</math>

APSM13-34CC

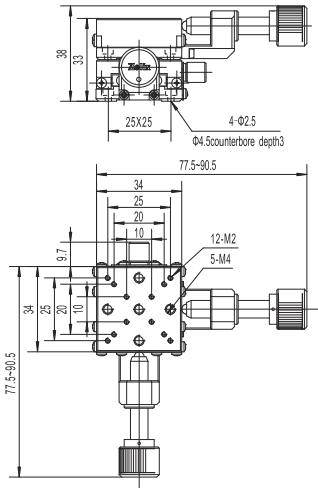


Specification:

- Axis: XY
- Travel: Tx, Ty: 13mm

Combination Products:

- PSM13-34C 2PCS



APSM13A-34CC

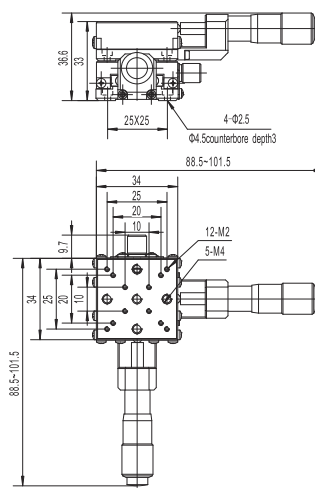


Specification:

- Axis: XY
- Travel: Tx, Ty: 13mm

Combination Products:

- PSM13A-34C 2PCS



APSM13(A)-34 Ball Bearing Linear Stage, 13mm Travel XYZ, Sensitivity <math>< 3_{\mu m}</math>

APSM13-34CCZ

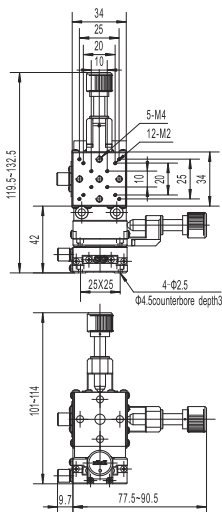


Specification:

- Axis: XYZ
- Travel: Tx, Ty, Tz: 13mm

Combination Products:

- PSM13-34C 2PCS
- PSM13-34CZ 1PC
- PHOB-5 1PC



APSM13A-34CCZ

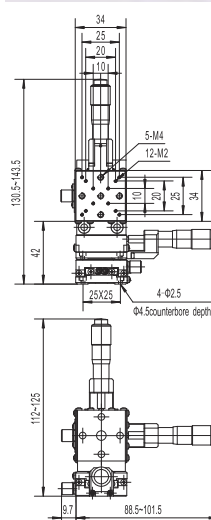


Specification:

- Axis: XYZ
- Travel: Tx, Ty, Tz: 13mm

Combination Products:

- PSM13A-34C 2PCS
- PSM13A-34CZ 1PC
- PHOB-5 1PC



APSM13-34LL

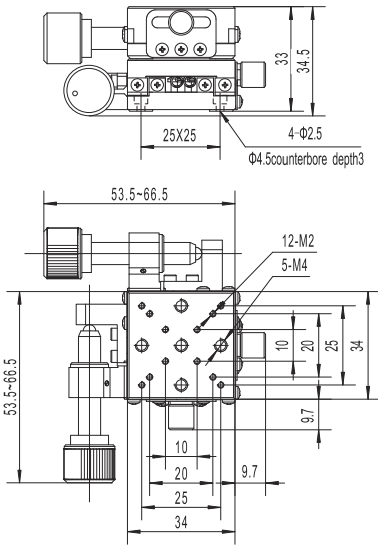


Specification:

- Axis: XY
- Travel: Tx,Ty: 13mm

Combination Products:

- PSM13-34SL 2PCS



APSM13A-34LL

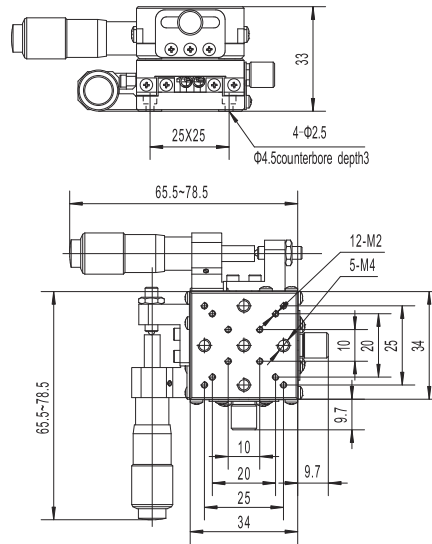


Specification:

- Axis: XY
- Travel: Tx,Ty: 13mm

Combination Products:

- PSM13A-34SL 2PCS



APSM13-34LLZ

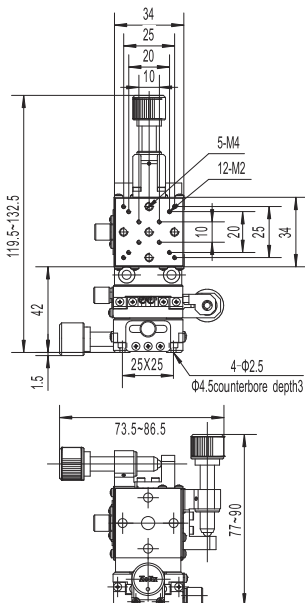


Specification:

- Axis: XYZ
- Travel: Tx,Ty,Tz: 13mm

Combination Products:

- PSM13-34SL 2PCS
- PSM13-34CZ 1PC
- PHOB-5 1PC



APSM13A-34LLZ

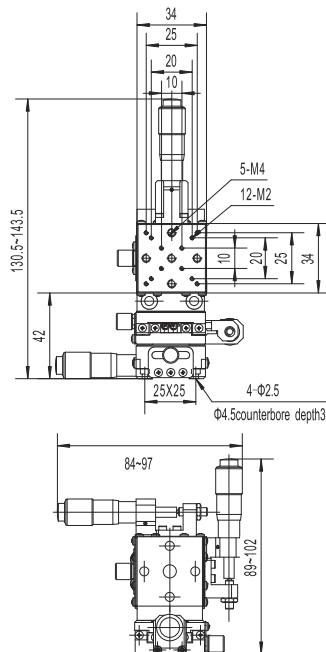


Specification:

- Axis: XYZ
- Travel: Tx,Ty,Tz: 13mm

Combination Products:

- PSM13A-34SL 2PCS
- PSM13A-34CZ 1PC
- PHOB-5 1PC



APSM13-34RR

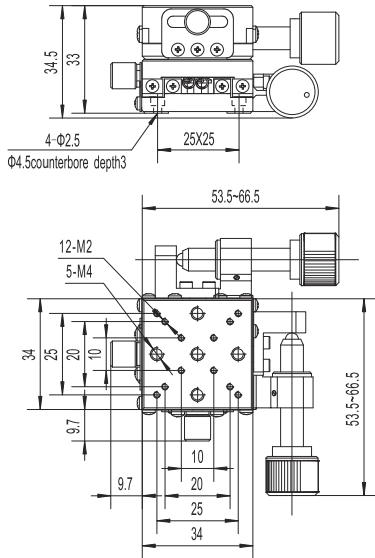


Specification:

- Axis: XY
- Travel: Tx,Ty: 13mm

Combination Products:

- PSM13-34SR 2PCS



APSM13A-34RR

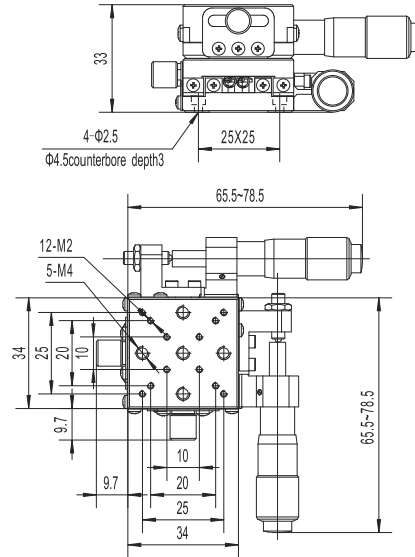


Specification:

- Axis: XY
- Travel: Tx,Ty: 13mm

Combination Products:

- PSM13A-34SR 2PCS



APSM13-34RRZ

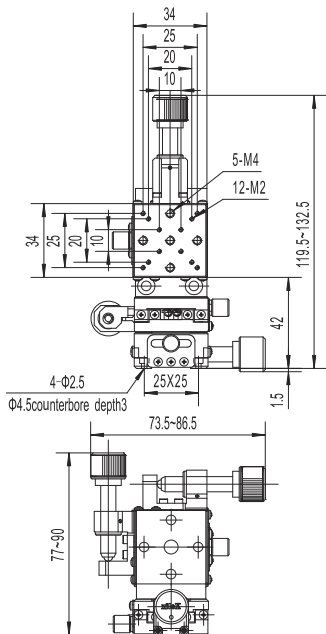


Specification:

- Axis: XYZ
- Travel: Tx,Ty,Tz: 13mm

Combination Products:

- PSM13-34SR 2PCS
- PSM13-34CZ 1PC
- PHOB-5 1PC



APSM13A-34RRZ

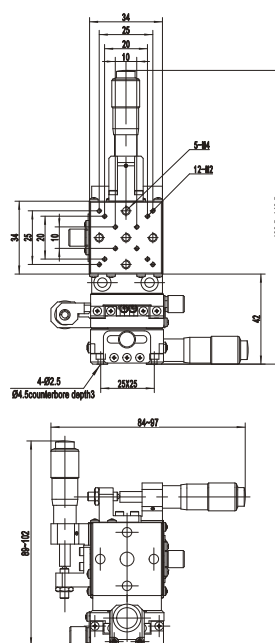


Specification:

- Axis: XYZ
- Travel: Tx,Ty,Tz: 13mm

Combination Products:

- PSM13A-34SR 2PCS
- PSM13A-34CZ 1PC
- PHOB-5 1PC



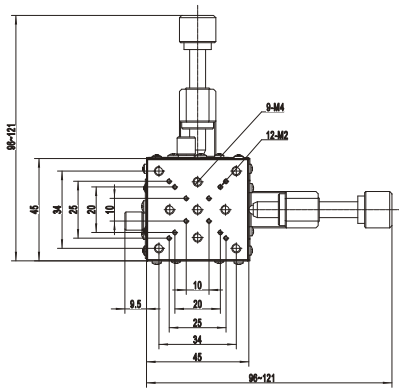
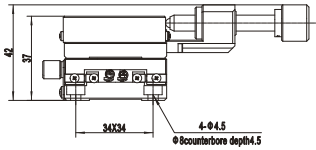
APSM25(A) Ball Bearing Linear Stage, 25mm Travel XY, Sensitivity < 3um

APSM25-45CC



Specification:

- Axis: XY
- Travel: Tx, Ty: 25mm
- Combination Products:
 - PSM25-45C 2PCS

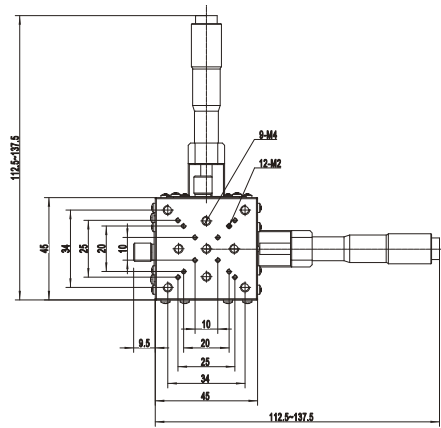
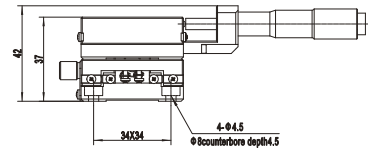


APSM25A-45CC



Specification:

- Axis: XY
- Travel: Tx, Ty: 25mm
- Combination Products:
 - PSM25A-45C 2PCS

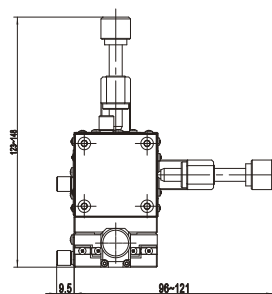
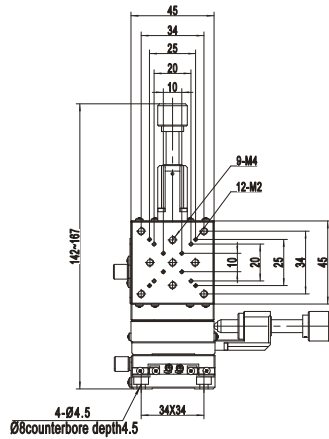


APSM25-45CCZ



Specification:

- Axis: XYZ
- Travel: Tx, Ty, Tz: 25mm
- Combination Products:
 - PSM25-45C 2PCS
 - PSM25-45CZ 1PC
 - PHOB-9 1PC

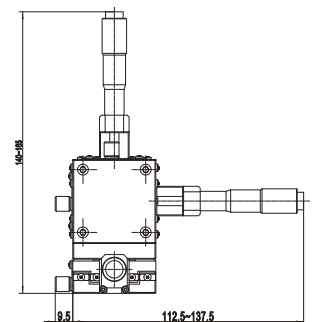
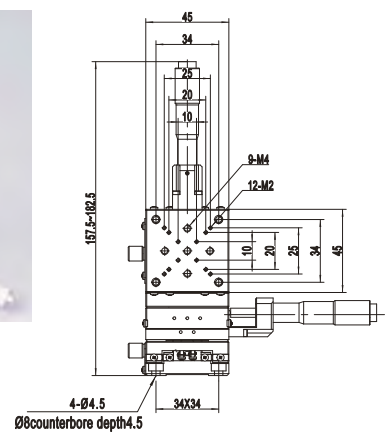


APSM25A-45CCZ



Specification:

- Axis: XYZ
- Travel: Tx, Ty, Tz: 25mm
- Combination Products:
 - PSM25A-45C 2PCS
 - PSM25A-45CZ 1PC
 - PHOB-9 1PC



APSM25(A) Ball Bearing Linear Stage, 25mm Travel XYZ, Sensitivity < 3um

APSM25-45LL

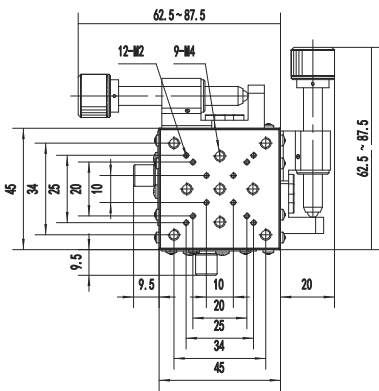
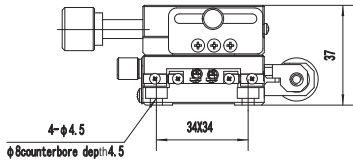


Specification:

- Axis: XY
- Travel: Tx, Ty: 25mm

Combination Products:

- PSM25-45SL 2PCS



APSM25A-45LL

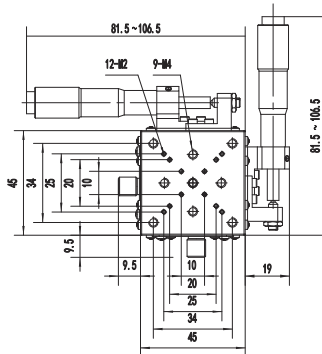
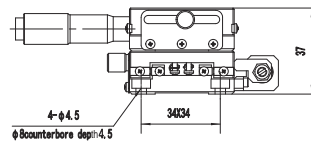


Specification:

- Axis: XY
- Travel: Tx, Ty: 25mm

Combination Products:

- PSM25A-45SL 2PCS



APSM25-45LLZ

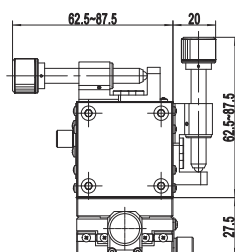
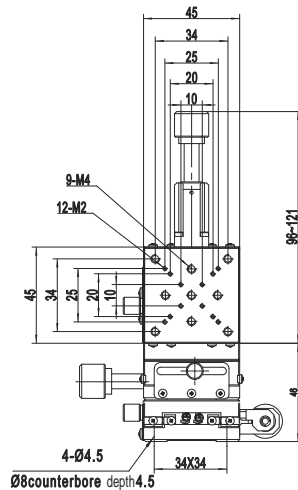


Specification:

- Axis: XYZ
- Travel: Tx, Ty, Tz: 25mm

Combination Products:

- PSM25-45SL 2PCS
- PSM25-45CZ 1PC
- PHOB-9 1PC



APSM25A-45LLZ

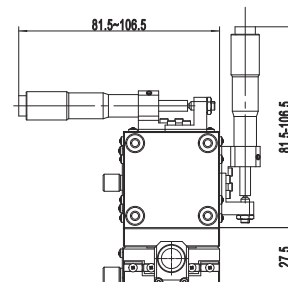
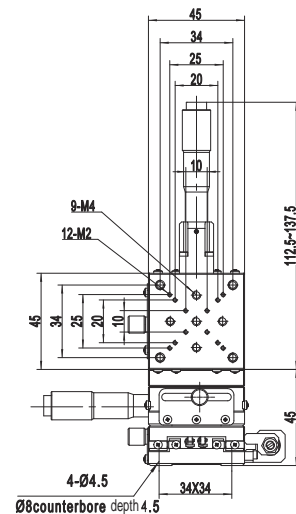


Specification:

- Axis: XYZ
- Travel: Tx, Ty, Tz: 25mm

Combination Products:

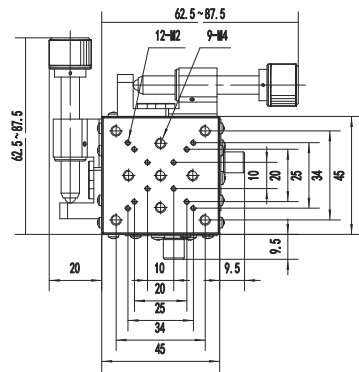
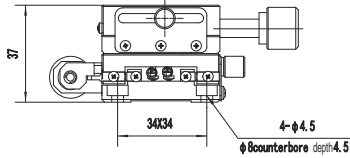
- PSM25A-45SL 2PCS
- PSM25A-45CZ 1PC
- PHOB-9 1PC



APSM25-45RR



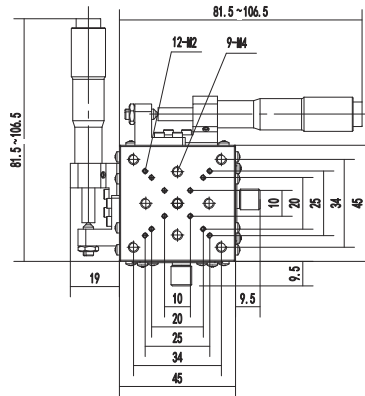
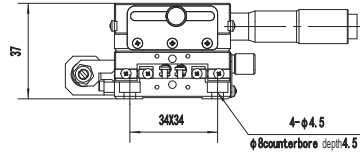
Specification:
 ● Axis: XY
 ● Travel: Tx, Ty: 25mm
 Combination Products:
 ● PSM25-45SR 2PCS



APSM25A-45RR



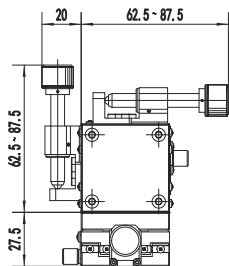
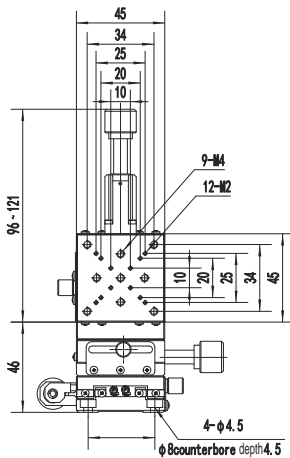
Specification:
 ● Axis: XY
 ● Travel: Tx, Ty: 25mm
 Combination Products:
 ● PSM25A-45SR 2PCS



APSM25-45RRZ



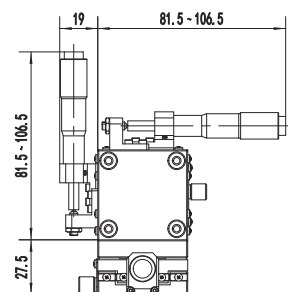
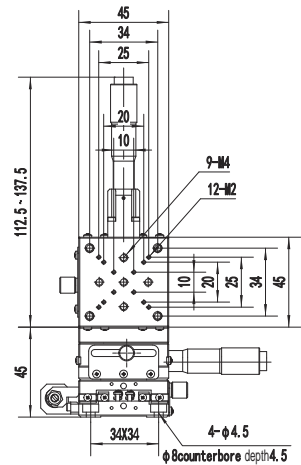
Specification:
 ● Axis: XYZ
 ● Travel: Tx, Ty, Tz: 25mm
 Combination Products:
 ● PSM25-45SR 2PCS
 ● PSM25-45CZ 1PC
 ● PHOB-9 1PC



APSM25A-45RRZ



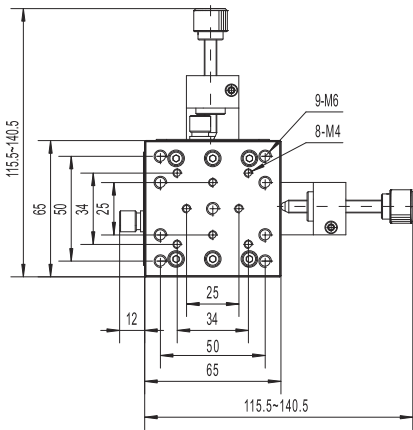
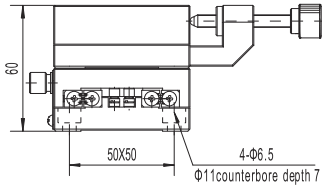
Specification:
 ● Axis: XYZ
 ● Travel: Tx, Ty, Tz: 25mm
 Combination Products:
 ● PSM25A-45SR 2PCS
 ● PSM25A-45CZ 1PC
 ● PHOB-9 1PC



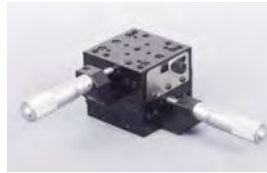
APSM25-65CC



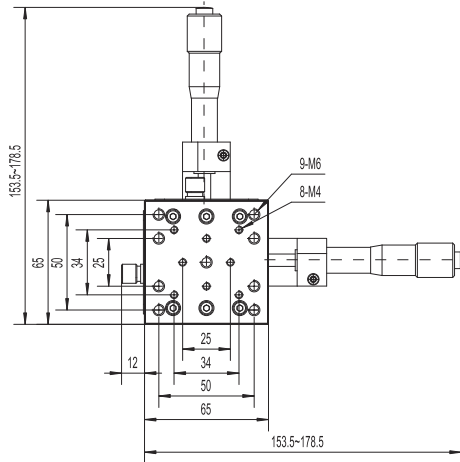
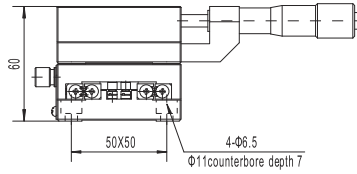
Specification:
 ● Axis: XY
 ● Travel: Tx, Ty: 25mm
 Combination Products:
 ● PSM25-65C 2PCS



APSM25A-65CC



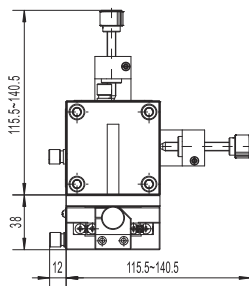
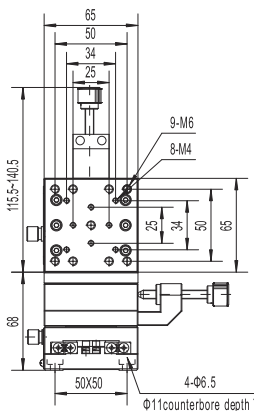
Specification:
 ● Axis: XY
 ● Travel: Tx, Ty: 25mm
 Combination Products:
 ● PSM25A-65C 2PCS



APSM25-65CCZ



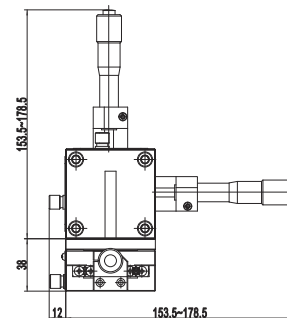
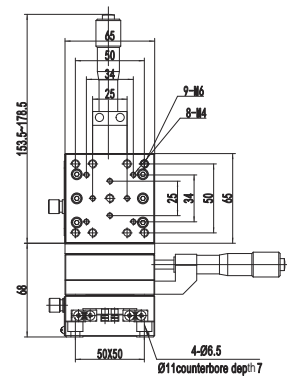
Specification:
 ● Axis: XYZ
 ● Travel: Tx, Ty, Tz: 25mm
 Combination Products:
 ● PSM25-65C 2PCS
 ● PSM25-65CZ 1PC
 ● PHOB-8 1PC



APSM25A-65CCZ



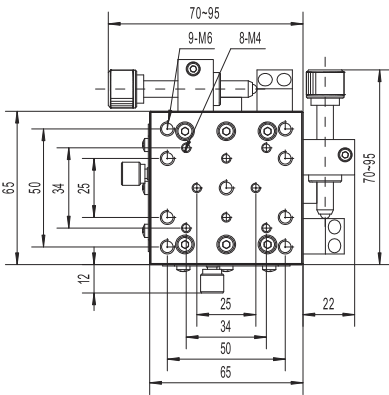
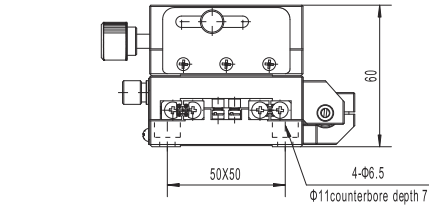
Specification:
 ● Axis: XYZ
 ● Travel: Tx, Ty, Tz: 25mm
 Combination Products:
 ● PSM25A-65C 2PCS
 ● PSM25A-65CZ 1PC
 ● PHOB-8 1PC



APSM25-65LL



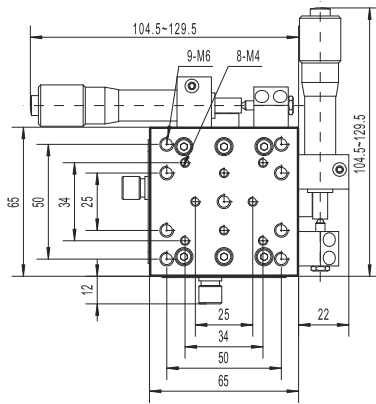
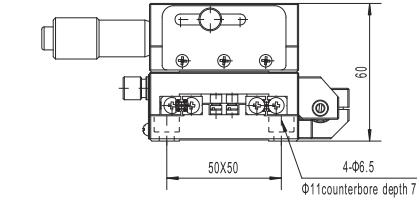
Specification:
 ● Axis: XY
 ● Travel: Tx,Ty: 25mm
 Combination Products:
 ● PSM25-65SL 2PCS



APSM25A-65LL



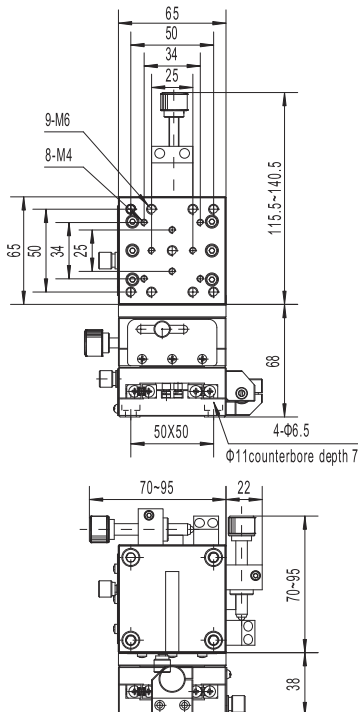
Specification:
 ● Axis: XY
 ● Travel: Tx,Ty: 25mm
 Combination Products:
 ● PSM25A-65SL 2PCS



APSM25-65LLZ



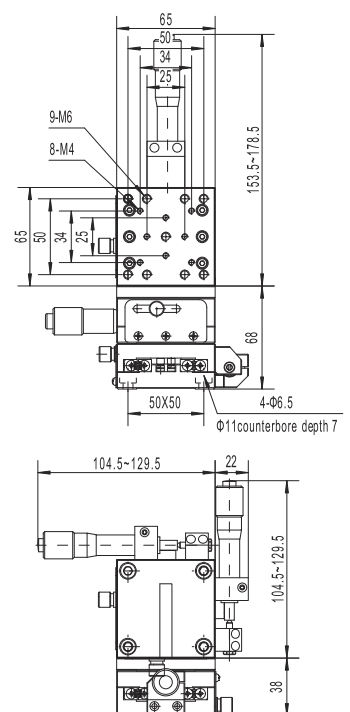
Specification:
 ● Axis: XYZ
 ● Travel: Tx,Ty,Tz: 25mm
 Combination Products:
 ● PSM25-65SL 2PCS
 ● PSM25-65CZ 1PC
 ● PHOB-8 1PC



APSM25A-65LLZ



Specification:
 ● Axis: XYZ
 ● Travel: Tx,Ty,Tz: 25mm
 Combination Products:
 ● PSM25A-65SL 2PCS
 ● PSM25A-65CZ 1PC
 ● PHOB-8 1PC



APSM25-65RR

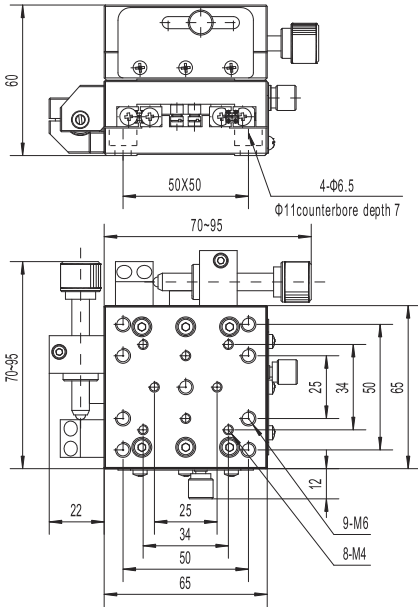


Specification:

- Axis: XY
- Travel: Tx, Ty: 25mm

Combination Products:

- PSM25-65SR 2PCS



APSM25A-65RR

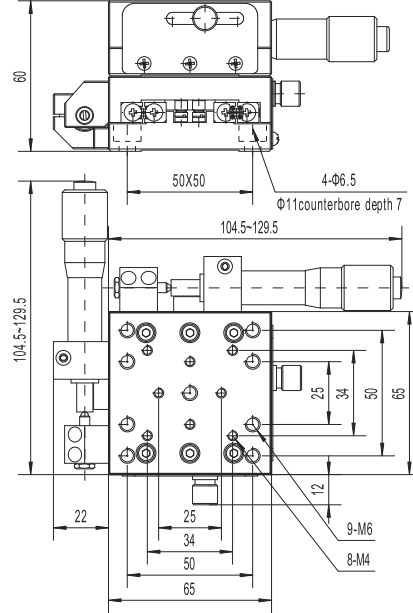


Specification:

- Axis: XY
- Travel: Tx, Ty: 25mm

Combination Products:

- PSM25A-65SR 2PCS



APSM25-65RRZ

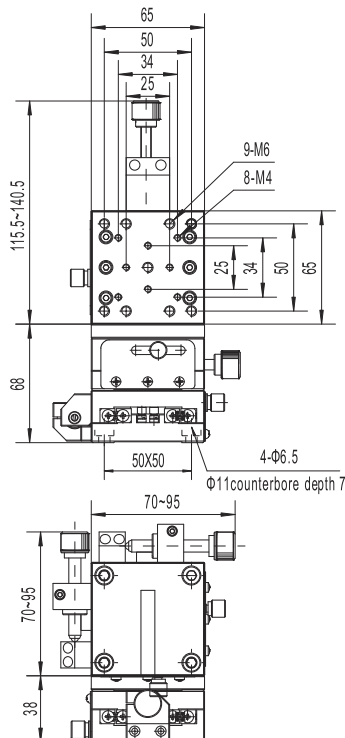


Specification:

- Axis: XYZ
- Travel: Tx, Ty, Tz: 25mm

Combination Products:

- PSM25-65SR 2PCS
- PSM25-65CZ 1PC
- PHOB-8 1PC



APSM25A-65RRZ

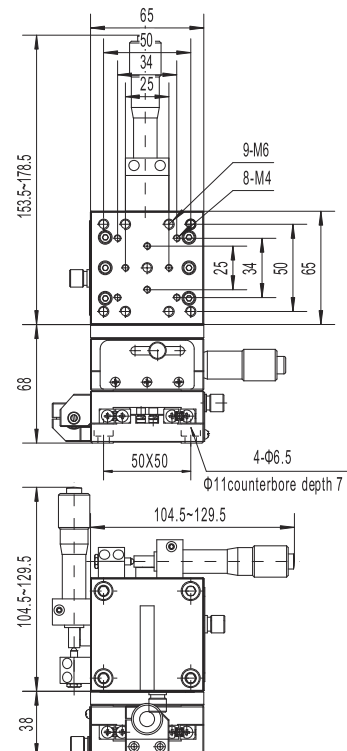


Specification:

- Axis: XYZ
- Travel: Tx, Ty, Tz: 25mm

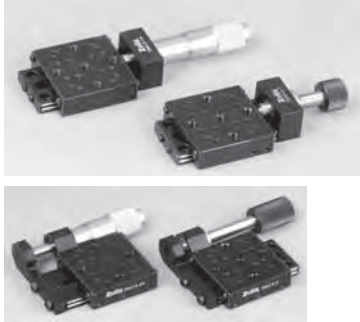
Combination Products:

- PSM25A-65SR 2PCS
- PSM25A-65CZ 1PC
- PHOB-8 1PC



TSM Series Ball Bearing Linear Stages

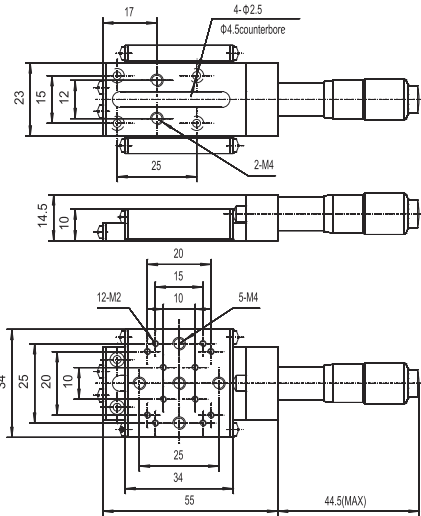
TSM13 Ball Bearing Linear Stage, 13mm Travel, Sensitivity 3um



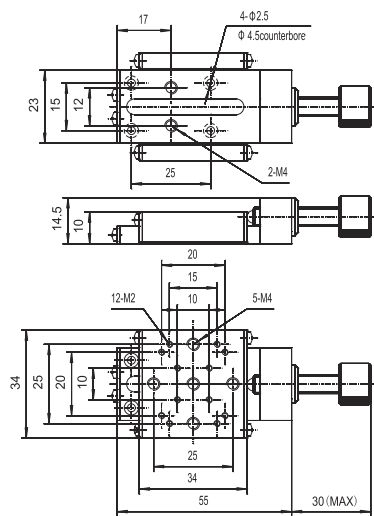
Model Sheet:

Model	TSM13-1	TSM13-1A	TSM13-2	TSM13-2A
Travel(mm)	13			
Sensitivity(mm)	0.003			
Table Size(mm)	34×34			
Guide	Ball Bearing			
Drive	M6×0.25Screw(Micrometer)			
Min Scale(mm)	-	0.01	-	0.01
Load Capacity(Kg)	2			
Weight(Kg)	0.05	0.07	0.05	0.07

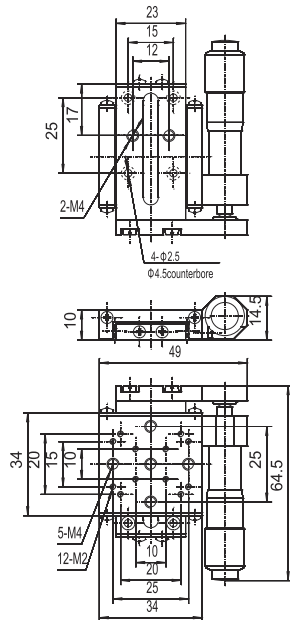
TSM13-1A ▶



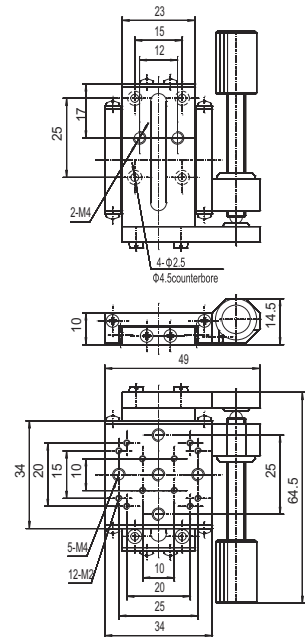
TSM13-1 ▶



TSM13-2A ▶



TSM13-2 ▶





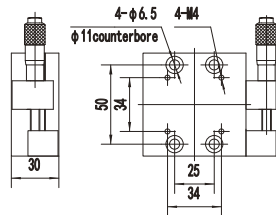
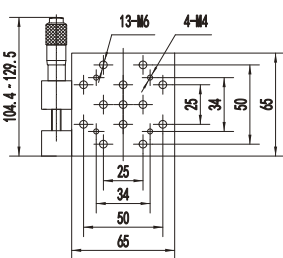
TSM25 Ball Bearing Linear Stage ,25 Travel,Sensitivity 3um



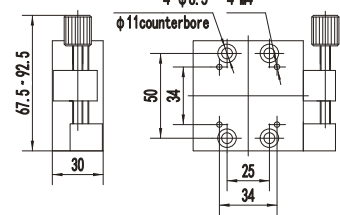
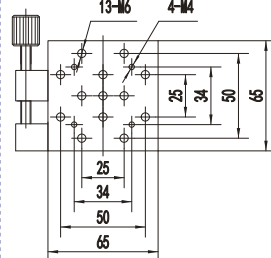
Model Sheet:

Model	TSM25-1	TSM25-1A	TSM25-2	TSM25-2A
Travel(mm)	25			
Sensitivity(mm)	0.003			
Table Size(mm)	65×65		49×53	
Guide	Ball Bearing			
Drive	M6×0.25Screw(Micrometer)			
Min Scale(mm)	-	0.01	-	0.01
Load Capacity(Kg)	5			
Weight(Kg)	0.35	0.45	0.35	0.45

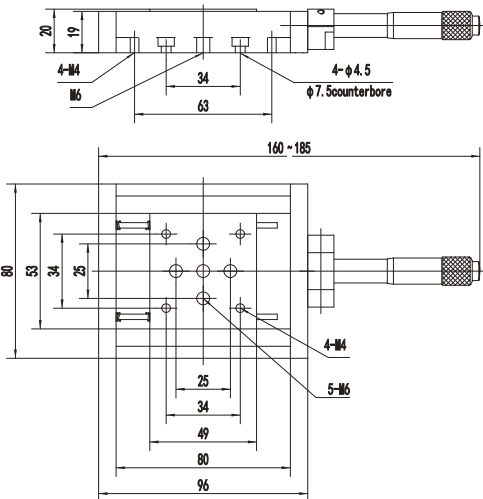
TSM25-1A ▼



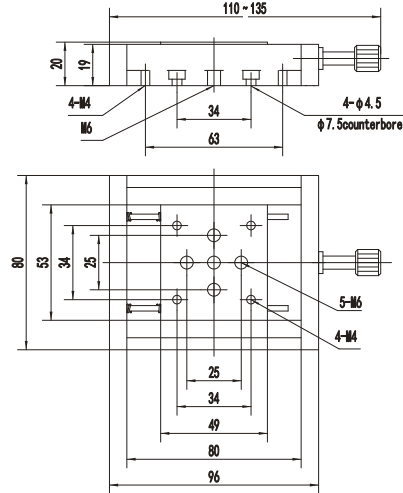
TSM25-1 ▼



TSM25-2A ▼



TSM25-2 ▼



TSMXXD Series Dovetail Bearing Linear Stages

TSMxxD-1S Series Dovetail Bearing Linear Stage

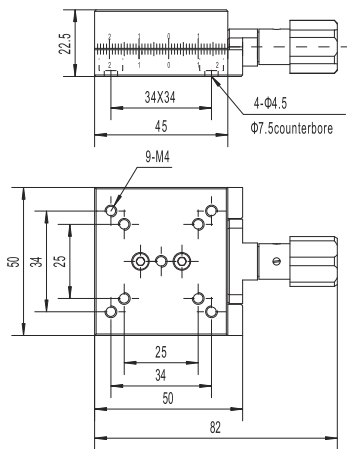


Model Sheet:

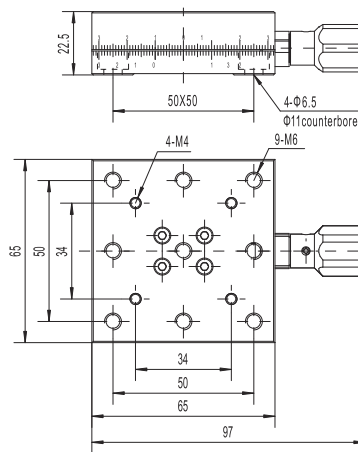
Model	TSM13D-1S	TSM25D-1S	TSM50D-1S	TSM125D-1S
Travel Range(mm)	13	25	50	125
Table Size (mm)	45x50	65x65	60x100	60x63
Bearings	Dovetail Bearing			
Drive	Screw	Screw	Screw	Screw
Min Readable	0.02	0.02	0.02	-
Load Capacity(Kg)	5	7	20	10
Weight	0.3	0.4	0.65	0.65

Drawing:

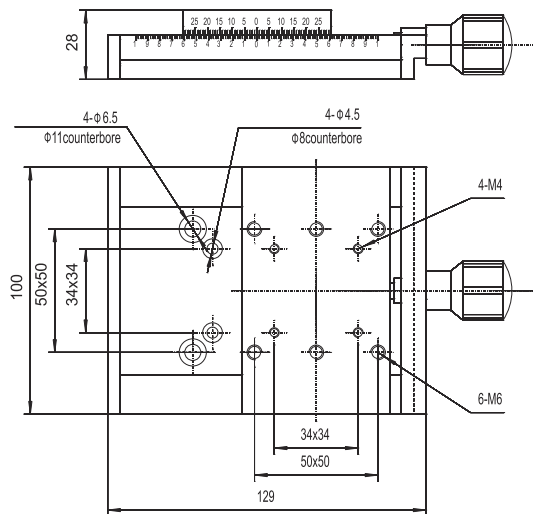
TSM13D-1S ▼



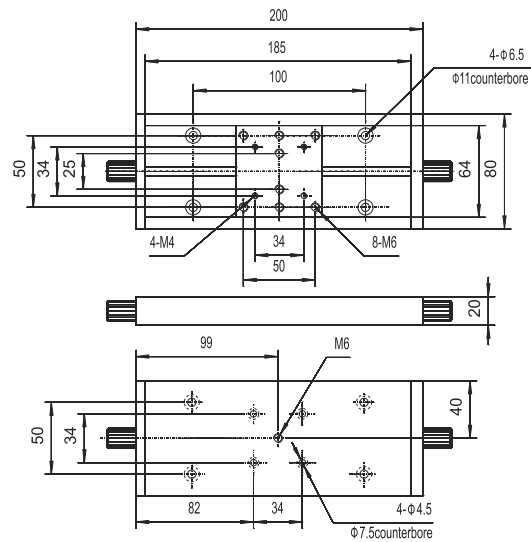
TSM25D-1S ▼



TSM50D-1S ▼



TSM125D-1S ▼



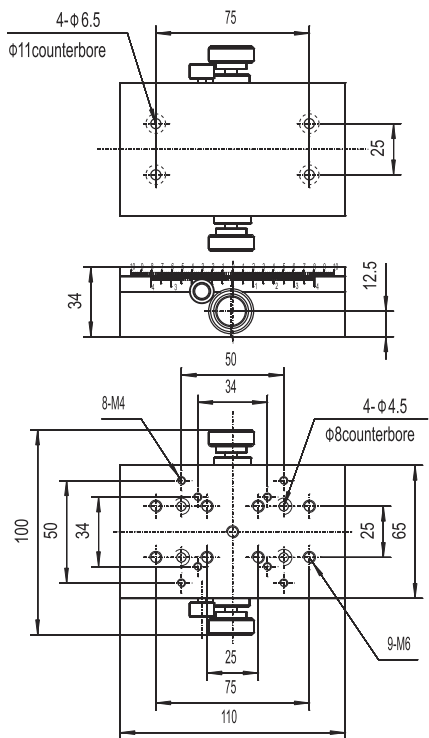
TSM75D-1C Dovetail Bearing Linear Stage,75mm Travel



Specification:

Travel Range(mm)	75
Table Size(mm)	65x110
Bearings	Dovetail Bearing
Drive	Rack and Pinion
Micrometer Position	Center
Cursor Readings(mm)	0.02
Max. Load Capacity(Kg)	20
Weight(Kg)	0.76

TSM75D-1C ▼



Integrated Stages

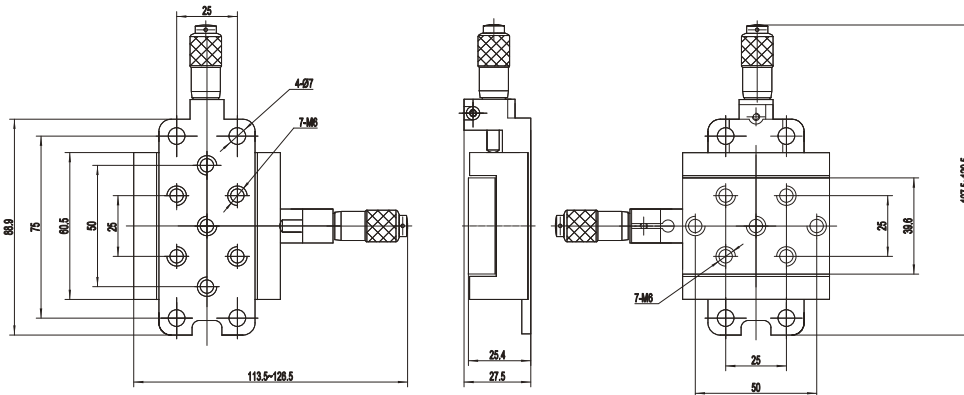
TSMW13-XY-1A(L) Bearing Linear Stage, 13mm XY Travel



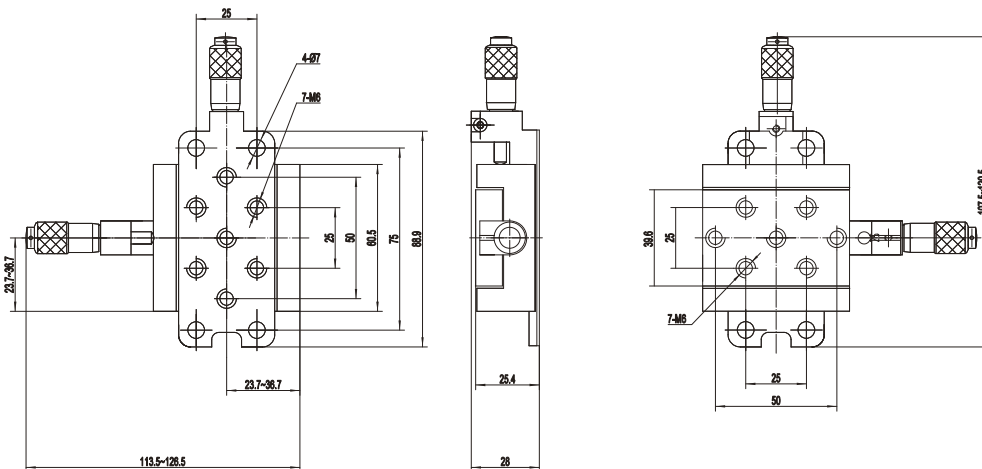
Specification:

Axes of Travel	XY
Travel Range (mm)	13
Drive	Micrometer
Min Scale(mm)	0.01
Sensitivity(mm)	0.003
Load Capacity(Kg)	7
Weight (Kg)	0.4

TSMW13-XY-1A ▼



TSMW13-XY-1AL ▼





TSMW13-XYZ-1A(L) Bearing Linear Stage, 13mm XYZ Travel

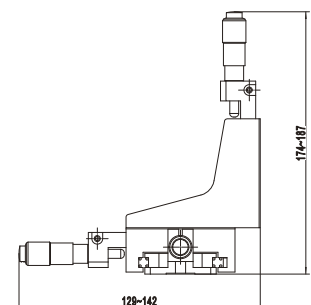
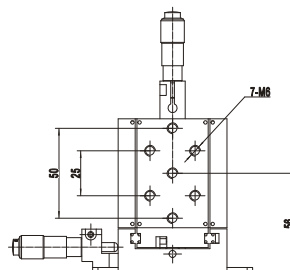
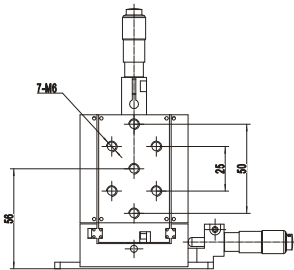
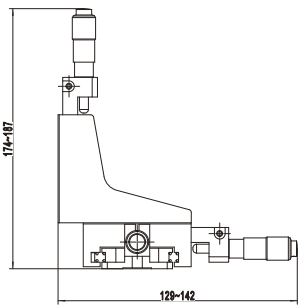
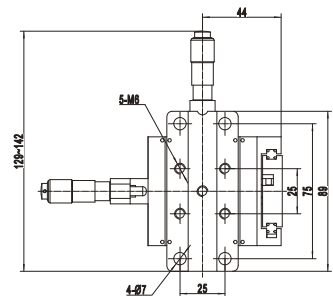
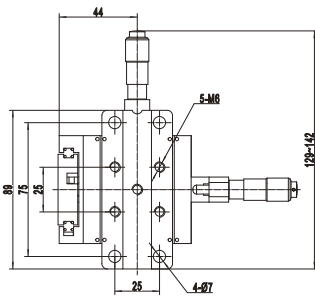


Specification:

Axes of Travel	XYZ
Travel Range(mm)	13
Drive	Micrometer
Min Readable	0.01
Sensitivity (mm)	0.003
Load Capacity (Kg)	2.5
Weight (Kg)	0.9

TSMW13-XYZ-1A ▼

TSMW13-XYZ-1AL ▼



TSMW-XYZT-1A(L) Integrated Stage,5 Axes

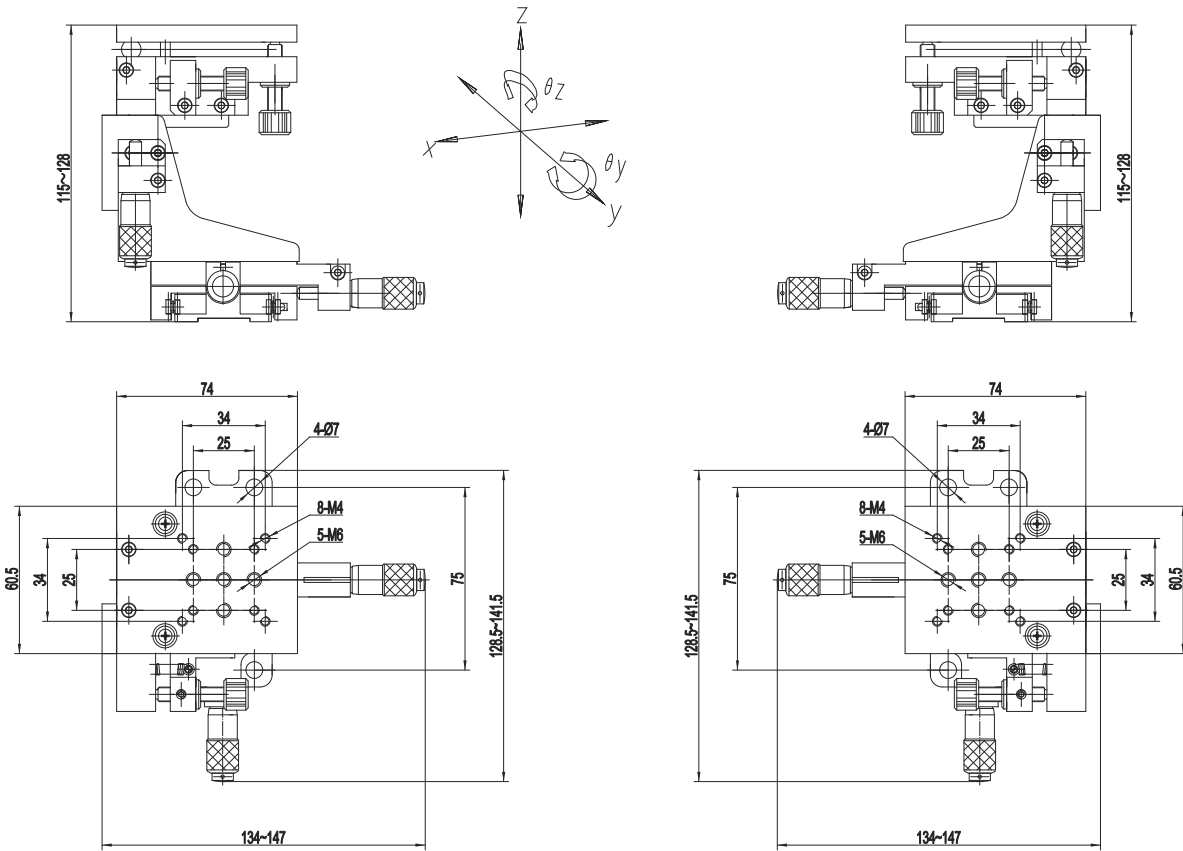


Specification:

Axis	5
Travel	Tx、Ty、Tz:13mm, θ_y 、 θ_z : $\pm 5^\circ$
Drive	Micrometer(Screw)
Min Scale(mm)	0.01
Sensitivity(mm)	0.003
Load(Kg)	2.5
Weight(Kg)	1.35

TSMW-XYZT-1

TSMW-XYZT-1L





ATSM Integrated Linear Stages

Fiber Alignment Stages

Manual Linear Stages

Manual Vertical Stages

Manual Rotation Stages

Manual Goniometer/Tilt Stages

Combined Stages

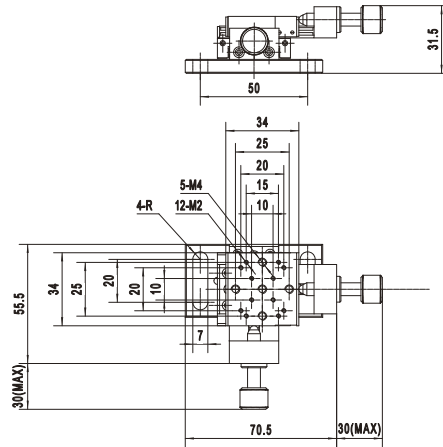


ATSM13-XY-1(1A) Integrated Linear Stage, 13mm XY Travel

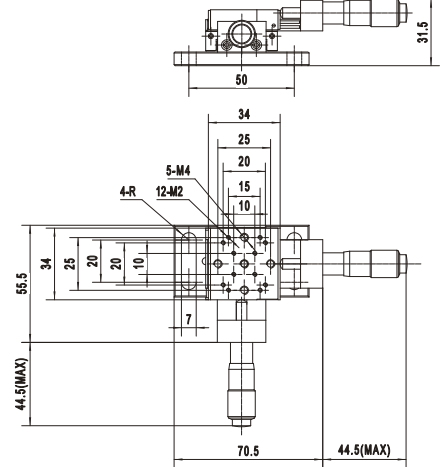
Specification:

- Axis: XY
- Travel: Tx, Ty: 13mm
- Combination Products: TSM13-1(1A) 2PCS
- BP-10 1PC

ATSM13-XY-1



ATSM13-XY-1A

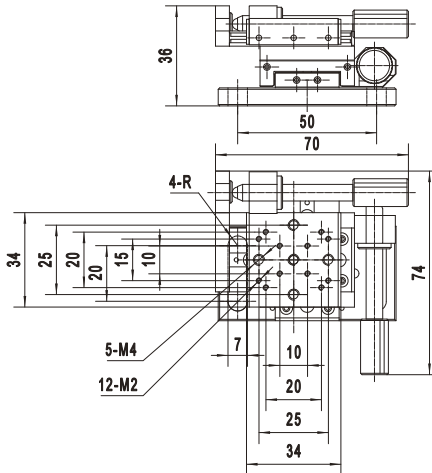


ATSM13-XY-2(2A) Integrated Linear Stage, 13mm XY Travel

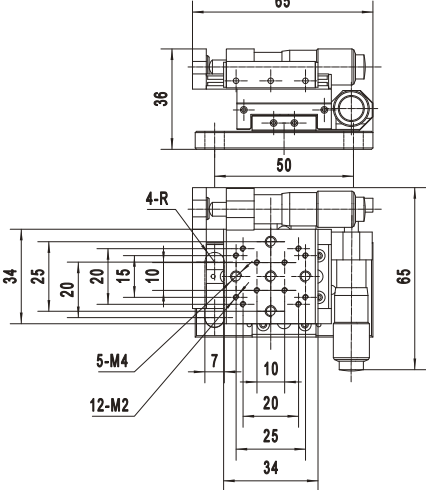
Specification:

- Axis: XY
- Travel: Tx, Ty: 13mm
- Combination Products: TSM13-2(2A) 2PCS
- BP-10 1PC, BP-22 1PC

ATSM25-XY-1



ATSM25-XY-1A

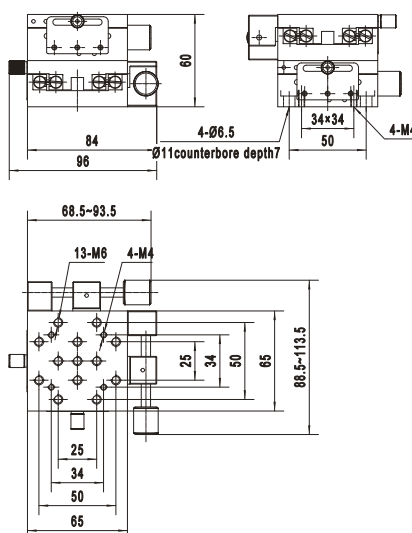


ATSM25-XY-1(1A) Integrated Linear Stage, 25mm XY Travel

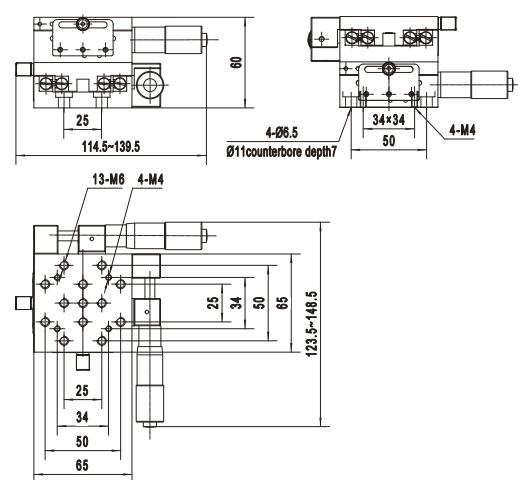
Specification:

- Axis: XY
- Travel: Tx, Ty: 25mm
- Combination Products: TSM25-1(1A) 2PCS

ATSM25-XY-1



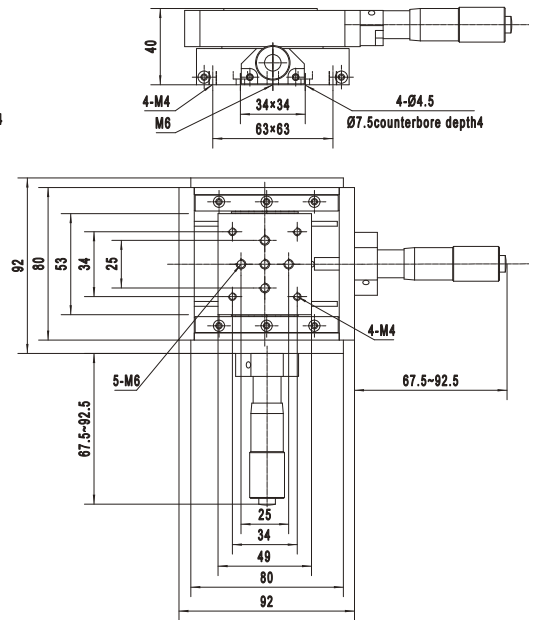
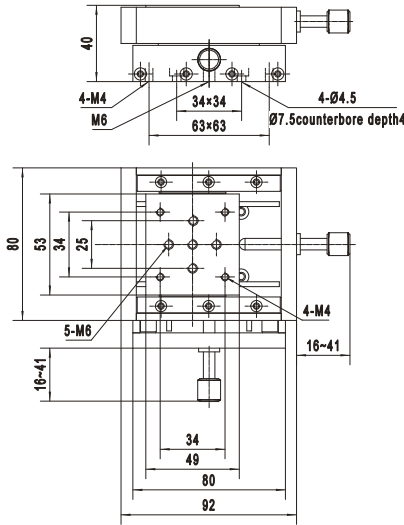
ATSM25-XY-1A





ATSM25-XY-2 ▼

ATSM25-XY-2A ▼



ATSM25-XY-2(2A) Integrated Linear Stage, 13mm XY Trave

Specification:

- Axis: XY
- Travel: Tx、Ty:25mm
- Combination Products: :
TSM25-2(2A) 2PCS



ATSM25-XYZ-1(1A) Integrated Linear Stage, XYZ 25mm Travel

Specification:

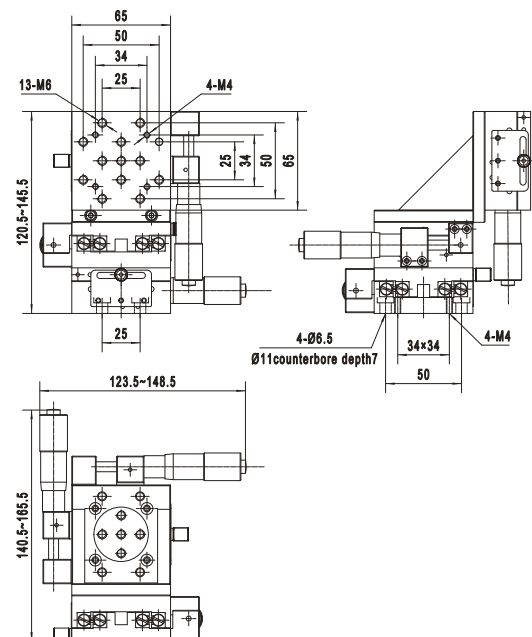
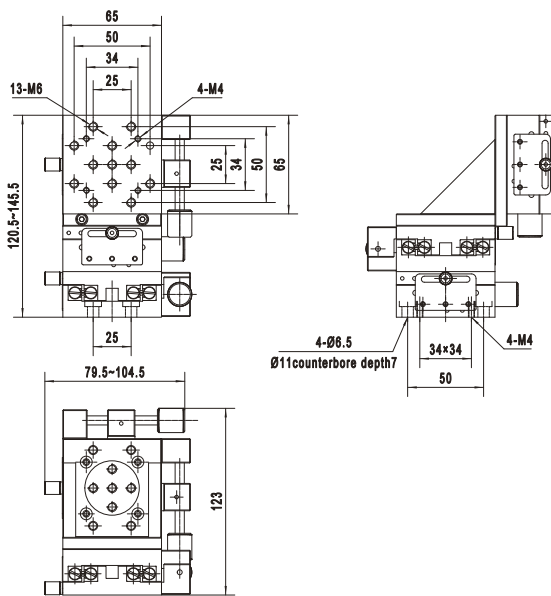
- Axis: XYZ
- Travel: Tx、Ty、Tz:25mm

Combination Products: :

- TSM25-1(1A) 3PCS
- PHOB-4 1PC

ATSM25-XYZ-1 ▼

ATSM25-XYZ-1A ▼



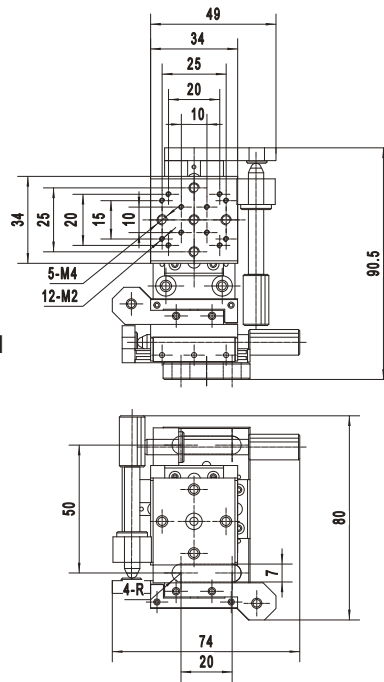


ATSM13-XYZ-2(2A) Integrated Linear Stage, XYZ 25mm Travel

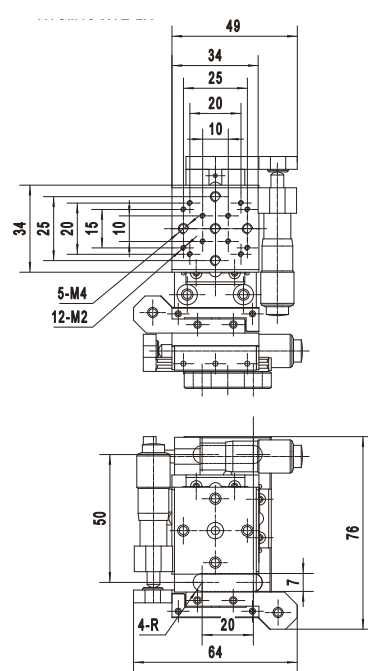
Specification:

- Axis: XYZ
 - Travel: Tx, Ty, Tz:13mm
- Combination Products: :
- TSM13-2(2A) 3PCS
 - PHOB-5 1PC
 - BP-10 1PC
 - BP-22 1PC

ATSM13-XYZ-2



ATSM13-XYZ-2A



ATSM50-XY Integrated Linear Stage, XYZ 25mm Travel



Specification:

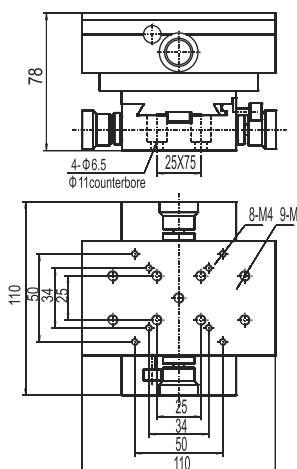
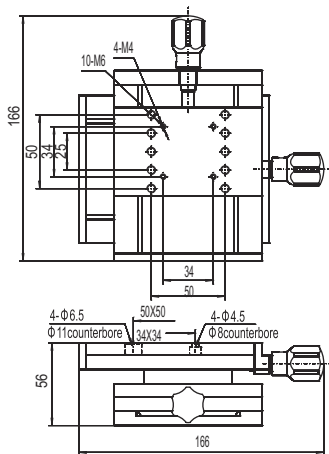
- Axis: XY
 - Travel: Tx, Ty:50mm
- Combination Products: :
- TSM50D-1S 2PCS

ATSM75-XY Integrated Linear Stage, XYZ 25mm Travel



Specification:

- Axis: XY
 - Travel: Tx, Ty:75mm
- Combination Products: :
- TSM75D-1C 2PCS
 - BP-28 1PC



Vertical Positioners

Selection Guide :

Series	Table Size(mm)	Travel(mm)	Sensitivity(um)	Drive
KSMV6A-40Z	40x40	6	2	Micrometer
KSMV13A-65Z	65x65	13	2	Micrometer
KSMV10A-90C	90x90	10	3	Micrometer
PSMV4-45C	45x45	4	<3	Screw
PSMV8-65C	65x65	8	<3	Screw
TSMV5-1A	64x50	5	3	Micrometer
TMSV13-1A	44x62	13	3	Micrometer
TSMV13-2A	44x62	13	3	Micrometer
TSMV60-1S	80x120	60	-	Screw
TSMV120-1S	140x220	120	-	Screw

Fiber Alignment Stages

Manual Linear Stages

Manual Vertical Stages

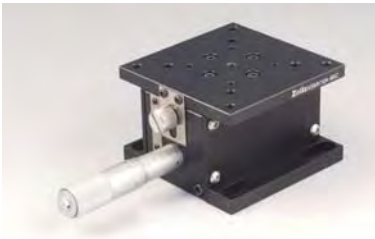
Manual Rotation Stages

Manual Goniometer/Tilt Stages

Combinated Stages

KSMV Series High Precision Crossed-Roller Vertical Stages

KSMV10A-90C



Model Sheet:

Model	KSMV6A-40Z	KSMV13A-65Z	KSMV10A-90C
Travel (mm)	6	13	10
Range(mm)			
Travel(mm)	2	65×65	40×40
Table Size(mm)	40x40	65x65	90x90
Drive	Micrometer		
Bearings	Crossed-Roll Bearing		
Load Capacity(Kg)	2	3	4
Weight(Kg)	0.14	0.44	1.04

KSMV13A-65Z

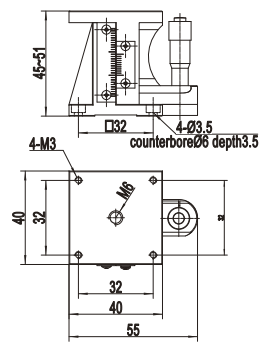


KSMV6A-40Z

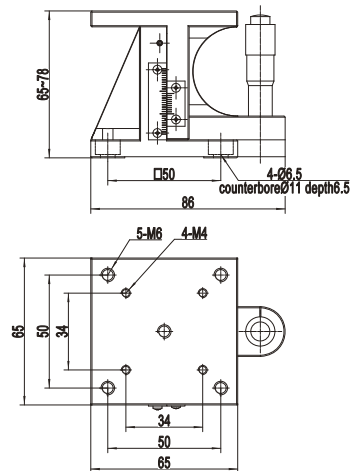


Drawing:

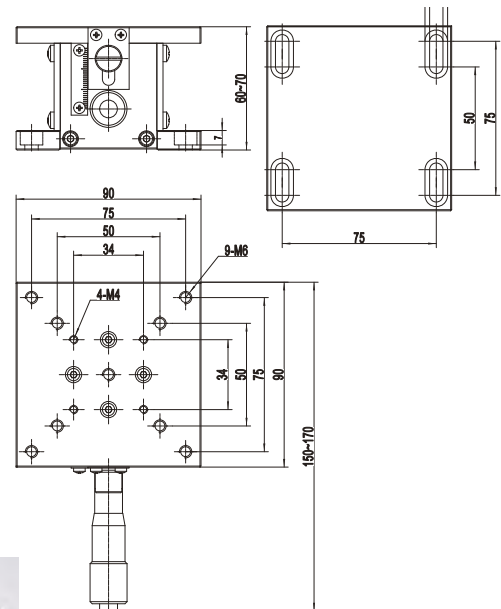
KSMV6A-40Z ▼



KSMV13A-65Z ▼



KSMV10A-90C ▼



Application:



PSMV Series High Precision Ball Bearing Vertical Stages

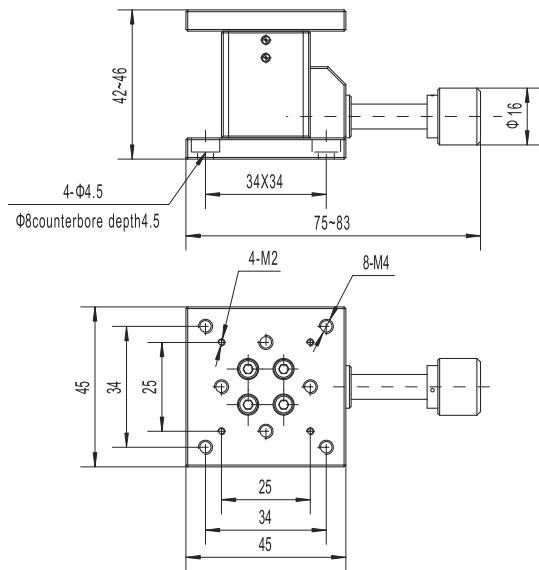


Model Sheet:

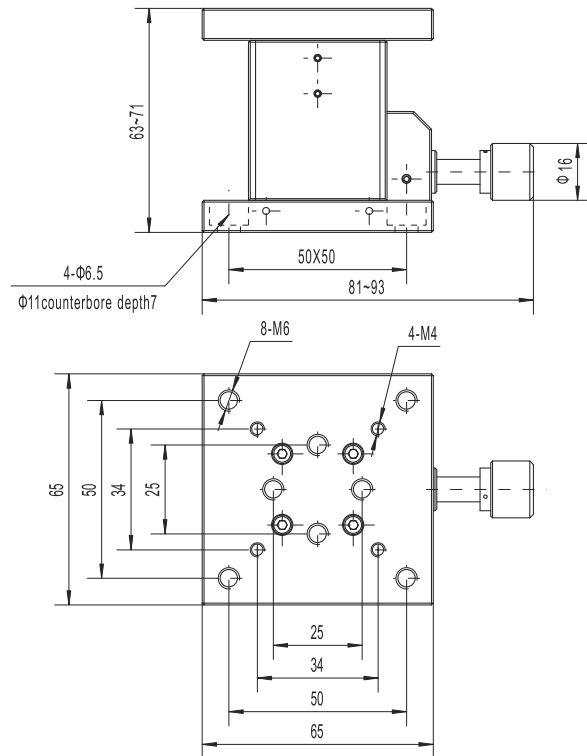
Model	PSMV4-45C	PSMV8-65C
Material	Al alloy	Al alloy
Travel(mm)	4	8
Sensitivity (mm)	<math>< 0.003</math>	<math>< 0.003</math>
Table Size (mm)	45x45	65x65
Drive	Screw	Screw
Load Capacity (Kg)	3	5

Drawing:

PSMV4-45C ▼



PSMV8-65C ▼



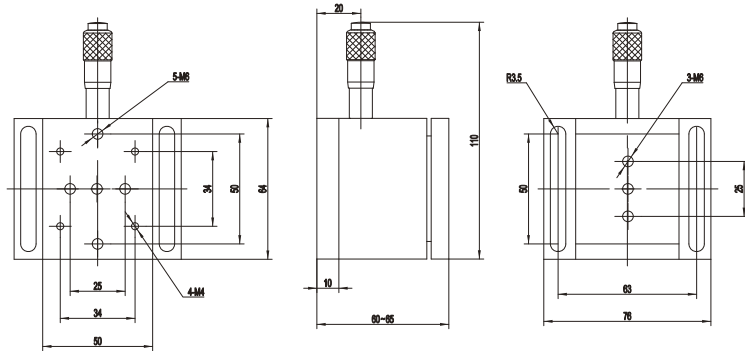


TSMV5-1A Precision Ball Bearing Vertical Stage, 5mm Travel



Specification:

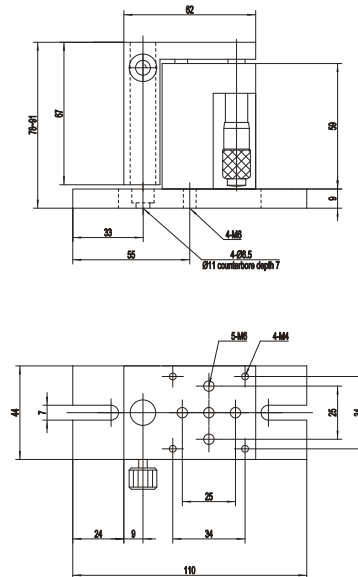
Model	TSMV5-1A
Travel Range (mm)	5
Sensitivity (mm)	0.003
Drive	Micrometer
Min Scale	0.01mm
Table Size (mm)	64x50
Load Capacity(Kg)	10
Weight (Kg)	0.6



TSMV13-1A Precision Ball Bearing Vertical Stage, 13mm Travel



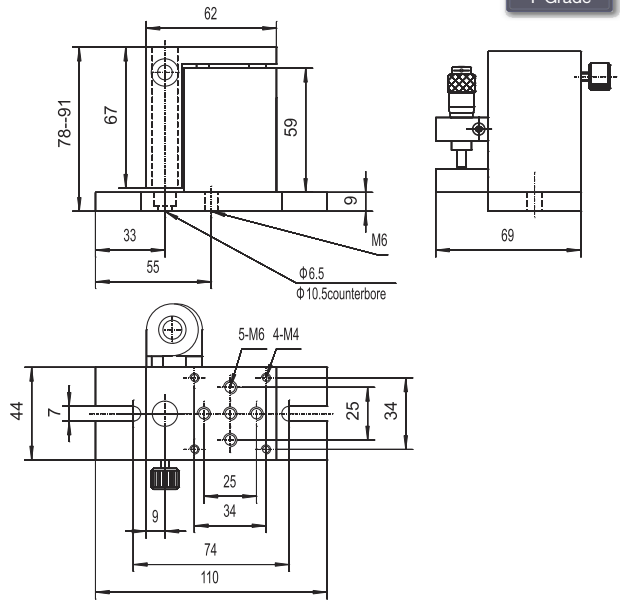
Drawing:



Specification:

Travel Range(mm)	13
Sensitivity (mm)	0.003
Min Scale (mm)	0.01
Table Size (mm)	44x62
Load Capacity (Kg)	2
Weight(Kg)	0.6

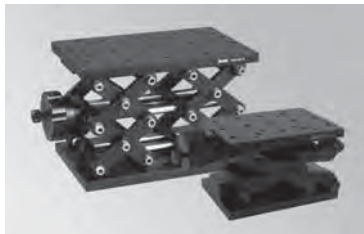
TSMV13-2A Precision Ball Bearing Vertical Stage, 13mm Travel



Specification:

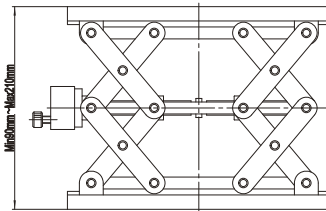
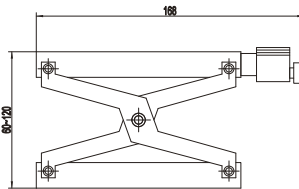
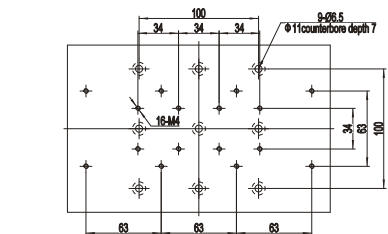
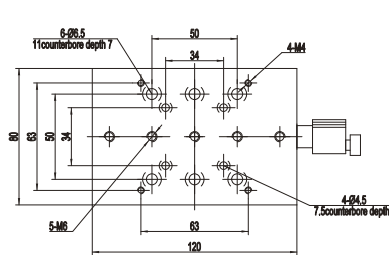
Travel Range(mm)	13
Sensitivity (mm)	0.003
Min Scale(mm)	0.01
Table Size (mm)	44x62
Load Capacity (Kg)	2
Weight (Kg)	0.6

TSMV60-1S High Load Lab Jack, 80x120mm, 20Kg Load Capacity



Drawing: TSMV60-1S ▼

TSMV120-1S ▼



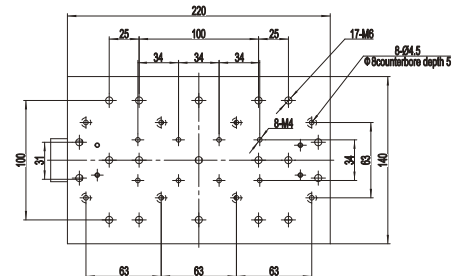
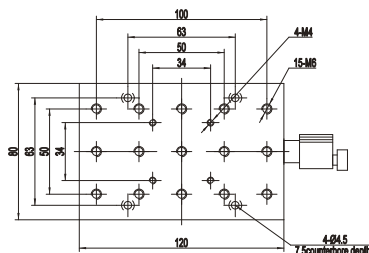
Model Sheet:

	TSMV60-1S
Travel Range(mm)	60
Drive	Screw
Resolution(mm)	0.01
Table Size (mm)	80x120
Load Capacity(Kg)	20
Weight(Kg)	1.15

TSMV120-1S High Load Lab Jack, 140x220mm, 25Kg Load Capacity

Model Sheet:

	TSMV120-1S
Travel Range(mm)	120
Drive	Screw
Resolution(mm)	0.01
Table Size (mm)	140x220
Load Capacity(Kg)	30
Weight(Kg)	1.85



Rotation Stages

Selection Guide :

Series	Table Diameter(mm)	Bearing Type	Base Material	Sensitivity(um)	Drive Mode
NFPR	R&D	Crossed-Roller	304 Stainless Steel	-	Micrometer(Coarse/Fine)
KSMR5A-100	100	Crossed-Roller	Al Alloy	4	
KSMR5A-120	120	Crossed-Roller		4	
PSMR	R&D	Ball Bearing		-	Micrometer/Screw(Coarse/Fine)
RSM56-1	56	Steel Ball		None	Screw(Coarse/Fine)
RSM73-1	73	Steel Ball		-	Screw(Coarse/Fine)
RSM82-1/1A	82	Steel Ball		-	Micrometer/Screw(Coarse/Fine)
RSM50-C	50	Gear Type		Coarse	-
RSM100-1W	100	Ball Bearing		-	Worm&Gear

Fiber Alignment Stages

Manual Linear Stages

Manual Vertical Stages

Manual Rotation Stages

Manual Goniometer/Tilt Stages

Combinated Stages

KSMR Series High Performance Rotation Stages



Application:

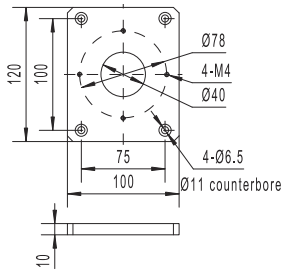


Model Sheet:

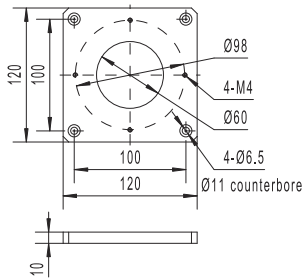
Model	KSMR5A-100	KSMR5A-120
Material	Aluminum	Aluminum
Table Diameter(mm)	100	120
Coarse Range(°)	360	360
Fine Range(°)	±5	±5
Sensitivity(")	4	4
Min Scale(')	5	5
Drive	Micrometer	Micrometer
Runout (um)	<30	<30
Load Capacity(Kg)	<10	<10

KSMR5A Base

KSMR5A-100-1F ▼

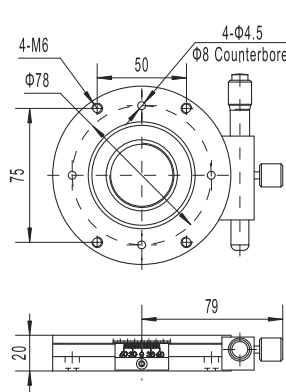


KSMR5A-120-1F ▼

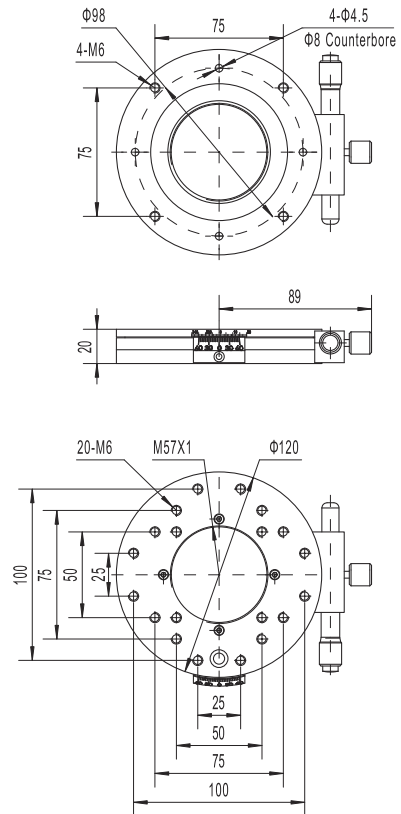


Drawing:

KSMR5A-100 ▼



KSMR5A-120 ▼



RSM Series Standard Performance Rotation Stages

RSM56-1/73-1/82-1(A) Rotation Stage, 360° Coarse, Micrometer, 56/73/82mm Diameter



RSM56-1 ▲

RSM73-1 ▲

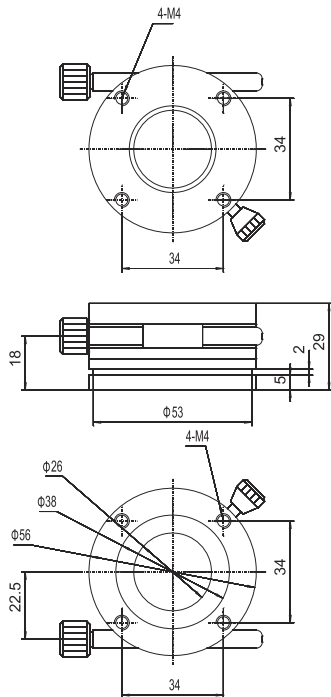


RSM82-1 ▲

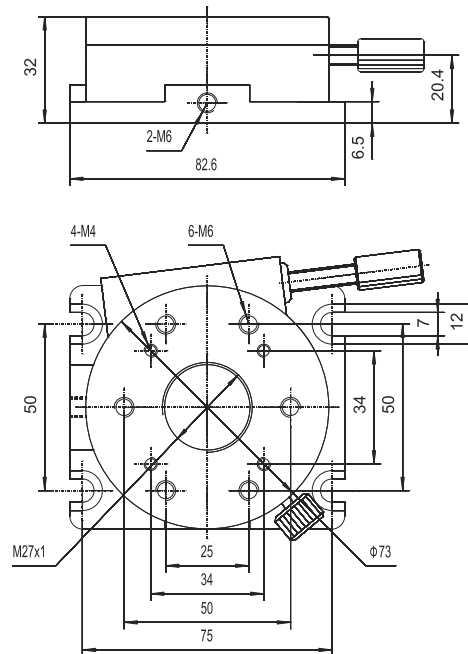
RSM82-1A ▲

Model	RSM82-1	RSM82-1A	RSM73-1	RSM56-1
Table Size (mm)	82	82	73	56
Coarse Range (°)	360	360	360	360
Fine Range (°)	±10	±10	±2.5	±3
Min Ruled (°)	1	1	1	2
Min Scale(μ)	2	2	5	0.2
Aperture Diameter(mm)	-	-	M27X1	26
Load Capacity(Kg)	5	5	5	2
Weight (Kg)	0.48	0.5	0.35	0.15

RSM56-1 ▼



RSM73-1 ▼



Fiber Alignment Stages

Manual Linear Stages

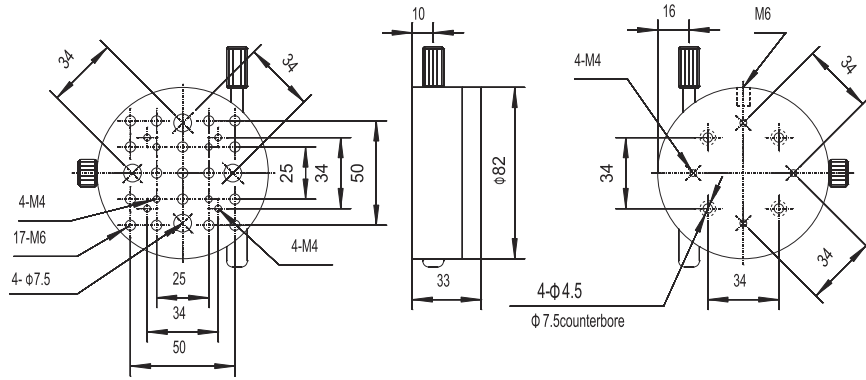
Manual Vertical Stages

Manual Rotation Stages

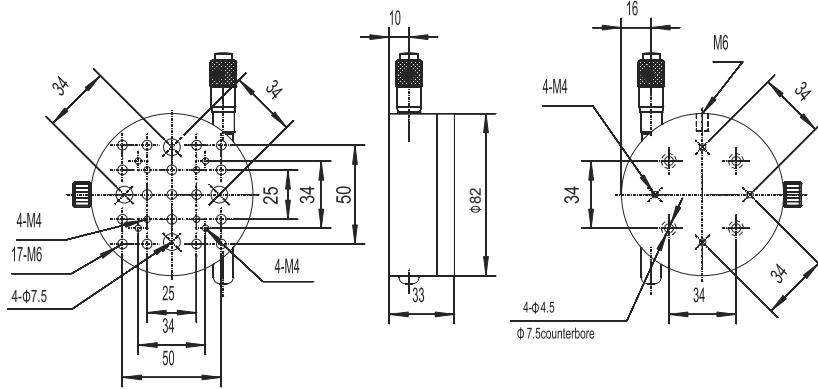
Manual Goniometer/Tilt Stages

Combinated Stages

RSM82-1 ▼



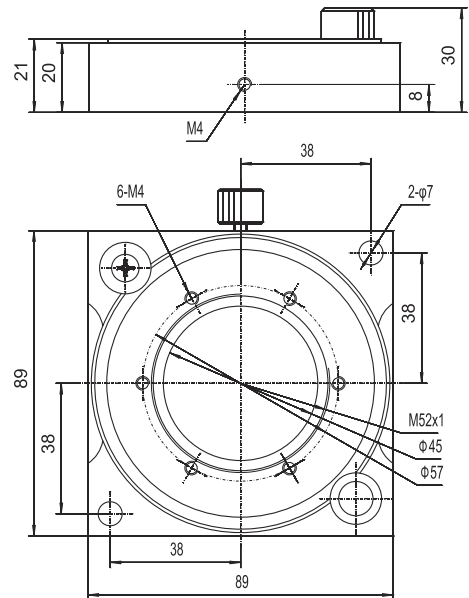
RSM82-1A ▼



RSM50-1K Rotation Stage, 360° Coarse, Micrometer, 56/73/82mm Diameter



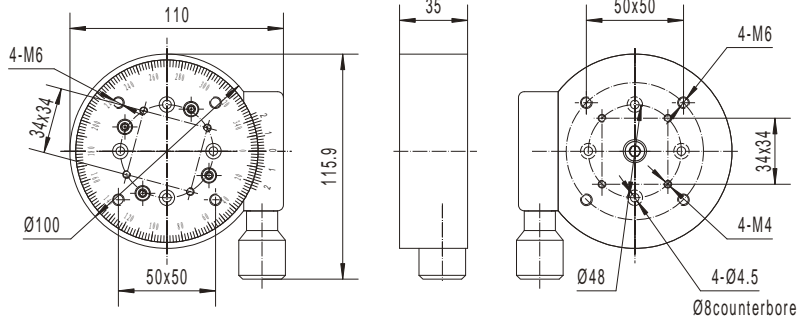
Model	RSM50-1K
Aperture Diameter(mm)	50
Coarse(°)	360
Min Scale(°)	2
Weight(Kg)	0.35



RSM100-1W Rotation Stage, 360° Coarse, 100mm Diameter



Drawing:



Specification:

Diameter(mm)	100
Coarse(°)	360
Min Scale(°)	1
Load(Kg)	15
Weight(Kg)	0.85

Goniometer Stages

TSMG30-W/TSMG15-W Lower Goniometer, 25x25x20mm, 12.5/32.5 Rotation Axis Height, ±30/15° Travel

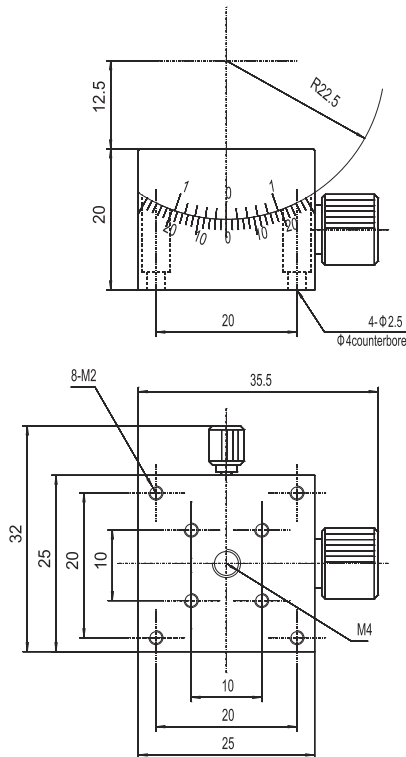


	Table Dimension(mm)	Rotation Angle	Rotation Center Height	Min Scale(°)	Load Capacity(kg)
TSMG15-W	25x25	+/-15°	32.5	0.1	1
TSMG30-W	25x25	+/-30°	12.5	0.2	1

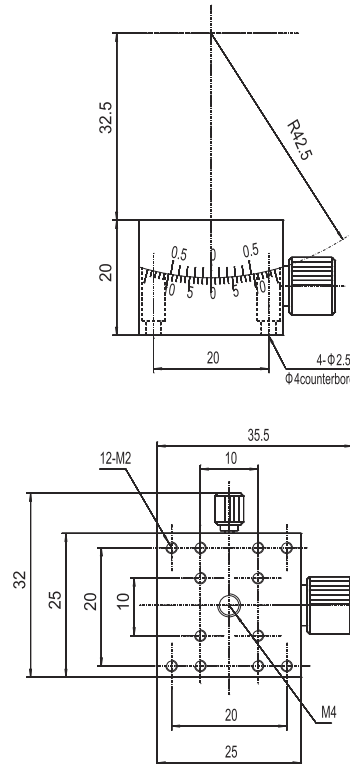
Application



TSMG30-W ▼



TSMG15-W ▼



TSMG10-1/2W Upper Goniometer, 65x65x24mm, 100/76 Rotation Axis Height, $\pm 10^\circ$ Travel



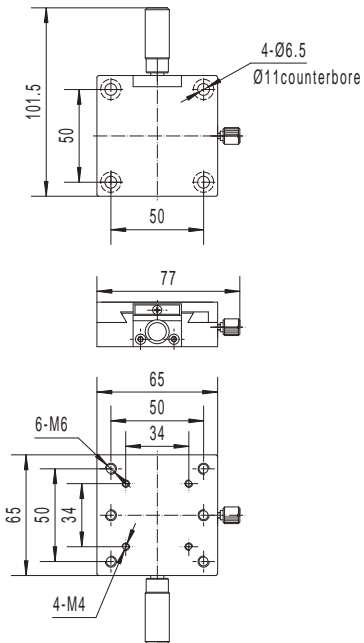
Specification:

	Table Dimension(mm)	Rotation Angle	Rotation Center Height	Min Scale($^\circ$)	Load Capacity(Kg)
TSMG10-1W	65x65	$\pm 10^\circ$	100	5	2
TSMG10-2W	65x65	$\pm 10^\circ$	76	5	2

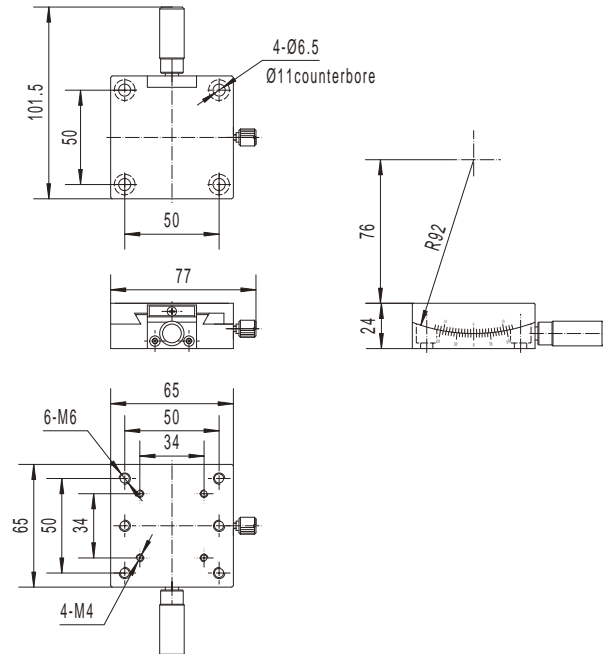
Application



TSMG10-1W ▼

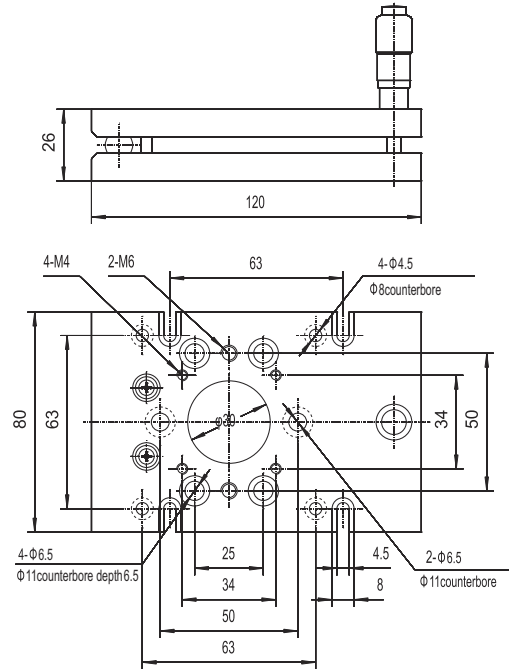
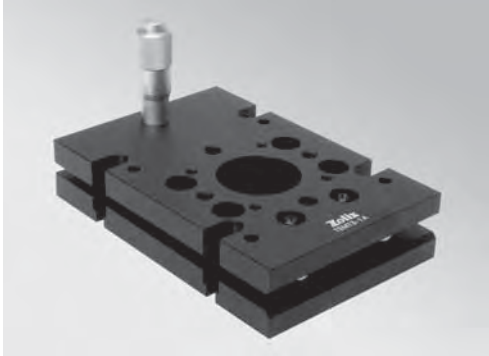


TSMG10-2W ▼



Multi-Axis Tilt Platforms

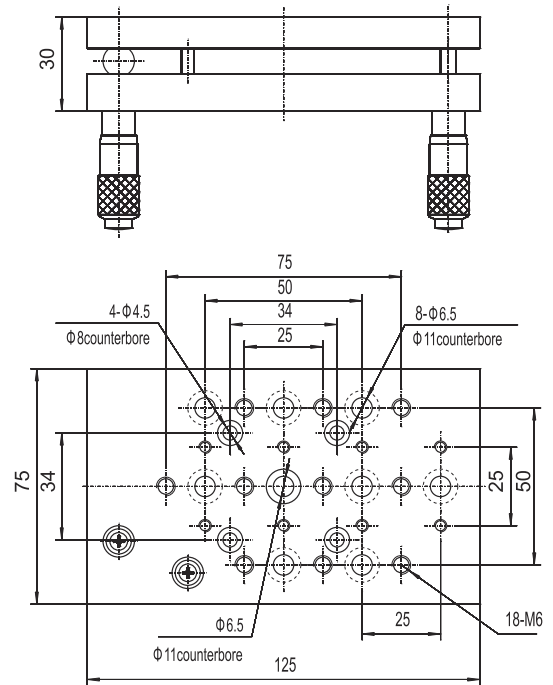
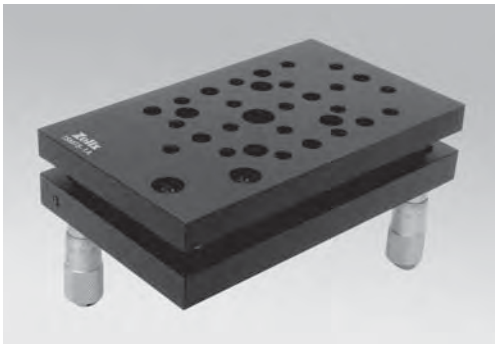
TSMT3-1A Tilt Platform, $\pm 3^\circ$ Tilt, Single Axis, Micrometer



Specification:

Adjust Range	± 3
Weight	0.5kg
Weight(Kg)	0.5
Aperture(mm)	30

TSMT5-1A Tilt Platform, $\pm 5^\circ$ Tilt, 2 axis, Micrometers



Specification:

Adjustment Range	$\pm 5^\circ$
Axes of Travel	Two Axes Platforms
Weight (Kg)	0.5

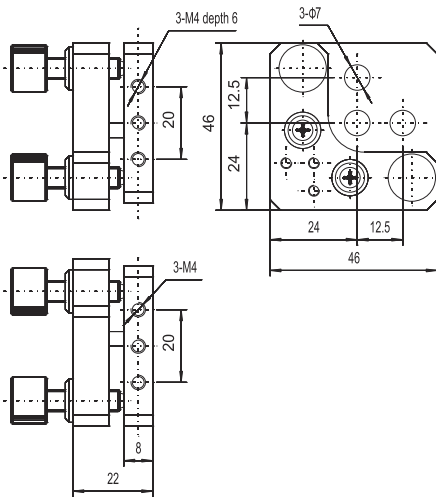
TSMT5-2/3 Tilt Platform, $\pm 3^\circ$ Tilt, 2 axis, Screws



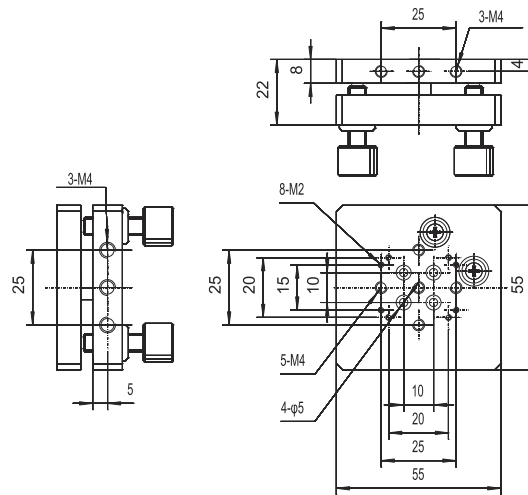
Specification:

Angle(°)	± 3
Axis	Axes
Weight(Kg)	0.1

TSMT5-2 ▼



TSMT5-3 ▼

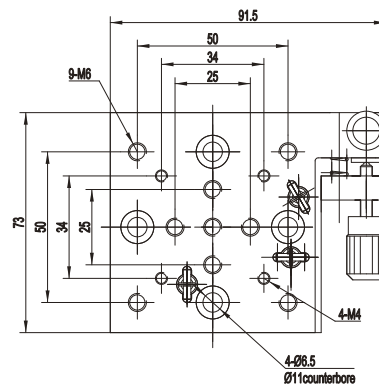
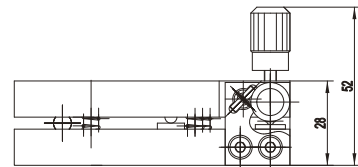


TSMT-4 Tilt & Rotation Platform, $\pm 4^\circ$ Tilt, $\pm 2.5^\circ$ Rotate, Screws



Specification:

Adjustment Range	$\pm 4^\circ$
Axes Platforms	Two Axes Platforms
Rotation Angle	$\pm 2.5^\circ$
Weight(Kg)	0.3



ASM Combination Stages



ASM-XYZ-1A

Specification:

- Axis: XYZ
- Travel: Tx、Ty:25mm, Tz:13mm

Combination Products: :

- TSM25-1A 2PCS
- TSMV13-1A 1PC



ASM-XYZ-2A

Specification:

- Axis: XYZ
- Travel: Tx、Ty:25mm, Tz:5mm

Combination Products: :

- TSM25-1A 2PCS
- TSMV5-1A 1PC
- BP-11 1PC



ASM-XYθ-1A

Specification:

- Axis: XYθ
- Travel: Tx、Ty:25mm, θz:360°

Combination Products: :

- TSM25-1A 2PCS
- RSM82-1A 1PC



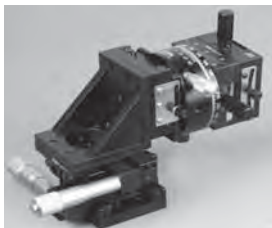
ASM-XYZθT-1A

Specification:

- Axis: XYZ, θx、θy、θz
- Travel: Tx、Ty:25mm, Tz:5mm, θz:360°, θx、θy:两维±5°

Combination Products: :

- TSM25-1A 2PCS
- TSMV5-1A 1PC
- RSM82-1A 1PC
- TSMT5-1ADouble Axis 1PC
- BP-1 1PC



ASM25XYZ-RG2

Specification:

- Axis: XYZ, θx、θy、θz
- Travel: Tx、Ty、Tz:25mm, θz:360°, θx、θy:±10°

Combination Products: :

- ATSM25-XYZ-1A 1PC
- RSM82-1A 1PC
- TSMG10-1W 1PC
- TSMG10-2W 1PC



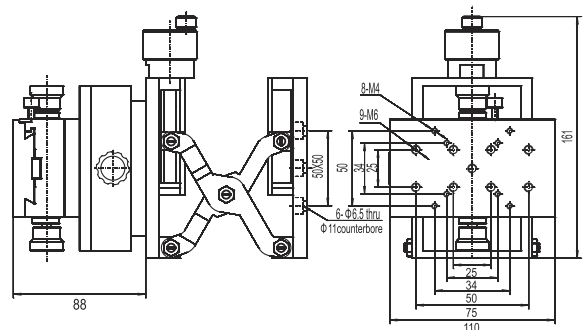
ASM75XY-V60

Specification:

- Axis: XYZ
- Travel: Tx、Ty:75mm, Tz:60mm

Combination Products: :

- TSM75D-1C 2PCS
- BP-28 1PC
- TSMV60-1S 1PC





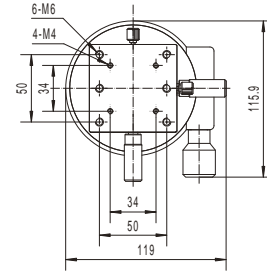
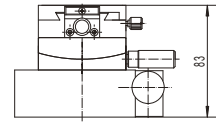
ASM-RG2

Specification:

- Axis: θ_x , θ_y , θ_z
- Travel: θ_x , θ_y : $\pm 10^\circ$, θ_z : 360°

Combination Products:

- TSM10-1W 1PC
- TSM10-2W 1PC
- RSM100-1W 1PC



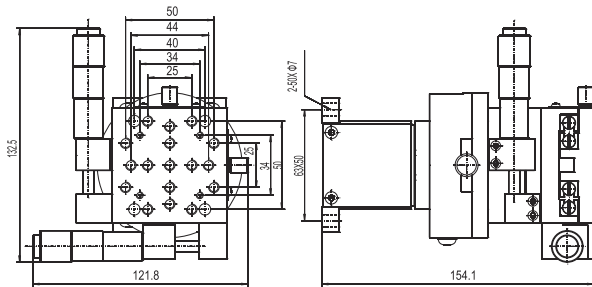
ASM25XY-RV

Specification:

- Axis: XYZ, θ_z
- Travel: T_x , T_y : 25mm, T_z : 5mm, θ_z : 360°

Combination Products:

- TSM25-1A 2PCS
- RSM82-1A 1PC
- TSMV5-1A 1PC



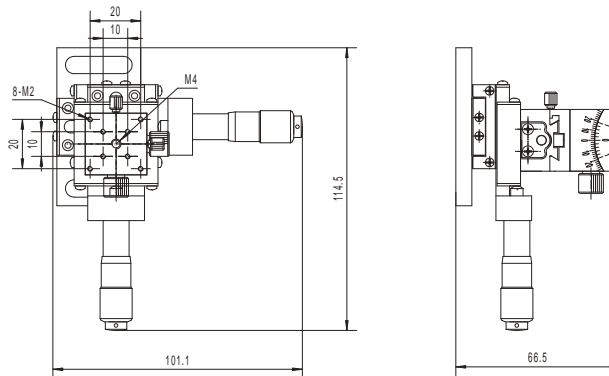
ASM13XY-G2

Specification:

- Axis: XY, θ_x , θ_y
- Travel: T_x , T_y : 13mm, θ_x , θ_y : 30°

Combination Products:

- TSM13-1A 2PCS
- TSMG15-W 1PC
- TSMG30-W 1PC
- BP-10 1PC



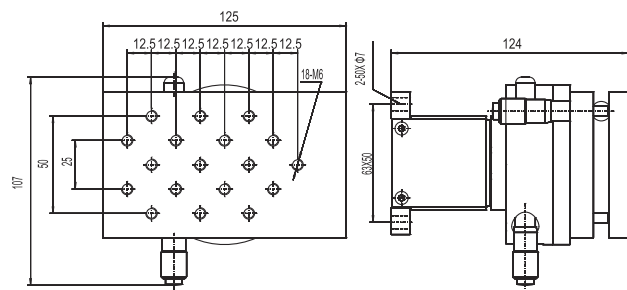
ASMV5-TR

Specification:

- Axis: Z, θ_x , θ_y , θ_z
- Travel: T_z : 5mm, θ_x , θ_y : $\pm 5^\circ$

Combination Products:

- TSMT5-1A Double Axis 1PC
- RSM82-1A 1PC
- TSMV5-1A 1PC





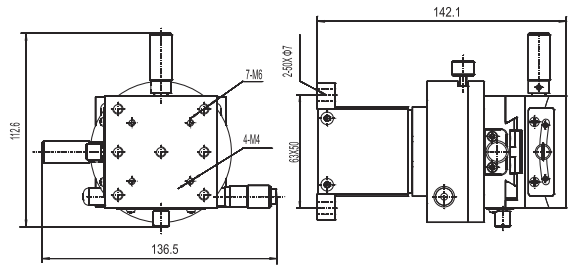
ASM-VRG2

Specification:

- Axis: Z, θ_x , θ_y , θ_z
- Travel: T_z :5mm, θ_x , θ_y : $\pm 10^\circ$, θ_z : 360°

Combination Products: :

- TSMV5-1A 1PC
- TSMG10-1W 1PC
- TSMG10-2W 1PC
- RSM82-1A 1PC



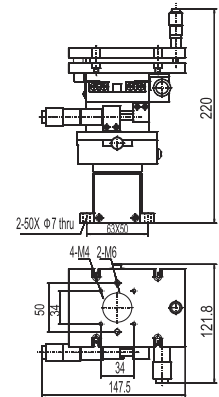
ASM25XY-RTV5

Specification:

- Axis: XYZ, θ_x , θ_z
- Travel: T_x , T_y :25mm, T_z :5mm, θ_x : $\pm 3^\circ$, θ_z : 360°

Combination Products: :

- TSM25-1A 2PCS
- TSMV5-1A 1PC
- TSMT3-1A 1PC
- RSM82-1A 1PC



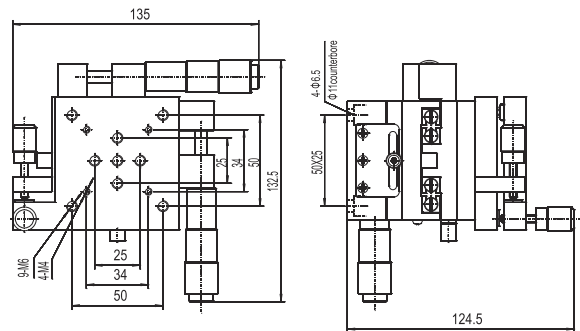
ASM25XY-T4

Specification:

- Axis: XY, θ_x , θ_z
- Travel: T_x , T_y :25mm, θ_x : $\pm 4^\circ$, θ_z : $\pm 2.5^\circ$

Combination Products: :

- TSM25-1A 2PCS
- TSMT-4 1PC
- BP-25 1PC



ASM25XY-G2

Specification:

- Axis: XY, θ_x , θ_y
- Travel: T_x , T_y :25mm, θ_x , θ_y : $\pm 10^\circ$

Combination Products: :

- TSM25-1A 2PCS
- TSMG10-1W 1PC
- TSMG10-2W 1PC
- BP-26 1PC

