



Optical Mounts

Kinematic Mirror Mounts 193

193 OMUS Ultra-High Stability Optical Mount

OMHS Kinematic Mirror Mounts 194

- 198 OMHS-LBE22/WJ/CMount
- 200 OMRS Precision Center Mirror Mount, 12.7-50.8mm Diameter, 2 Knobs Adjustment
- 204 OMMBXX-1BL Precision Center Mirror Mount, 8/10/12.5mm Diameter, 2 Knob Adjustment
- 205 OMMBxx-2SVB Top Adjustable Mirror Mount
- 206 OMMB50 (80/100/102)-2BT Gimbal Mirror Mount
- 207 OMUM40/52-1 Precision Gimbal Optic Mount, 52mm and 40mm Diameter, $\pm 3^\circ$ Fine Range
- 207 OMUM52-2 Precision Gimbal Optic Mount, 52mm Diameter

Gimbal Mirror Mounts 207

MAD25-45MH-xx 45° Mirror Adapter, 2-in.(50.8-mm) 208

- 209 MAD25-CBH-xx Splitting Cube Adaptor
- 210 MAD25-S2C-xx Square Lens Adaptor

Beam Steers 211

213 OMBS180 Beam Steer

Polarizer Mounts 215

- 215 OMPO12.7/25.4/30-B Polarizer Rotation Mount, 12.7mm ,25.4mm and 30mm Diameter, 2° Graduations
- 215 OMPO12.7/25.4/30-1 Polarizer Rotation Mount, 12.7mm ,25.4mm and 30mm Diameter
- 216 OMPO25.4/30-LJ Polarizer Rotation Mount, 12.7mm ,25.4mm and 30mm Diameter Prisms or Polarizers

Filter Mounts 217

- 217 OMF1-1, OMF25-1 Filter Mount, 30mm Thickness
- 217 OMF1-2 Filter Mount, 3mm Thickness
- 218 OMPM-1 Filter Mount, 4mm Thickness
- 218 OMPM-2/3 Filter Mount 16mm Max Diameter
- 218 OMMB-NDFC50 Filter Wheel Mount , Does Not Include Filter Wheels
- 219 MFW6-25/MFW12-25 Single/Double Indexed Filter Wheel Mount, Holds 6/12 1.0 in. (25.4 mm) Diameter Filters

Lens Mounts 220

- 220 OMLM Fixed Lens Mount, from 13mm to 100mm Diameter.
- 221 OMLMxx-XY Fixed Lens Mount, 20mm,25.4mm,30mm,40mm,50mm,60mm Diameter.
- 222 OMLH-1 Universal Fixed Lens Mount, 50-100 mm Diameter
- 222 OMLH-2/3/4 Variable Lens Holder, 100mm Max Diameter
- 223 OMLH-Z/Z10 Adjustable Cylindrical Lens Mount, 65mm Max Optic, 10mm Max Thickness

Special Lens Mounts 224

- 224 OMHS/OMRS Lens Mount
- 225 APFP-XY/APFP-W-XY Lens Mount, 2mm XY Travel

Prism Mounts 226

226 OMPH-1/2 Prism Mount, 60mm Max Diameter, $\pm 5^\circ$

Laser Mounts 227

- 227 PHLM-1 Cylindrical Laser Mount, 60mm Max Diameter, High-Resolution Adjusters
- 227 PHLM-2 Cylindrical Laser Mount, 45mm Max Diameter, High-Resolution Adjusters
- 227 PHLM-3 Cylindrical Laser Mount, 45mm Max Diameter,

$\pm 5^\circ$ Adjustment Range

227 OMPH-3 V-Block, 100mm Diameter

Slit 227

- 228 APAS80-1T/APAS80-1A Adjustable Slit
- 229 APID Iris Diaphragms
- 231 Pinhole Diaphragm&Mount(APPH-GD)
- 231 APSF13-1AT Spatial Filter

Fiber Coupler Mounts 232

- 232 APFC-1T/2T/3AT Lens Fiber Coupler, Bare Fibers
- 233 APFC-4T/APFC-5T-FC/SC/ST/SMA905 Lens Fiber Coupler, Bare Fibers

Accessories 234

- 234 High Precision Small Knob /Hex Adjustment Screw, 6 -50mm Travel, Lockable
- 235 ACSM Standard Resolution Micrometer, 6-25 mm Travel.
- 236 ACS Double-Ended Set Screws Double-Ended Set Screws, M4/M6 Thread
- 236 ACCA/ACCF Clamping Fork
- 236 ACOA Retaining Rings, Optical Mount Adaptor, 13 to 40 mm
- 237 SK L-Allen Wrench Set

BP Bases 238

244 PHOB系列直角固定块

Post&Holder 248

- 248 PHSP12 12mm Stainless Steel Optical Mounting Post, 25 to 300mm Height, M4&M6 THD
- 248 PHSH Low-Cost Post Holder, 25-150 mm height, 12 mm ID, M6
- 249 PHRP Rotation Optical Post Holder, 50-76 in Height, 12mm Diameter Post, M6 TH
- 249 PHVP-1/PHVP-2 Translating Optical Post Holder, 72-120 mm, 12 mm Diameter Post, M6 Thread
- 249 PHVP-3 Translating Optical Post Holder, 50mm Fine Adjustment Range, 12. mm Diameter Post, M6 Thread
- 250 PHPB-1 Optical Pedestal Base, 12mm Diameter, M6 TH
- 250 PHAF Clamping Fork, Captive M6 Screw, Standard Slot, For 25mm Pedestals
- 250 PHSP12C Optical Pedestal Sliding Clamp, 25 mm Diameter Pedestal, M6 Thread
- 251 PEP 0.5 in. Stainless Steel Optical Mounting Post, 50-102mm Height, 8-32 & 1/4-20 THD
- 252 PEH Low-Cost Post Holder, 50-102 mm height, 0.5 in. ID, 3/4" -10
- 252 PEB Mounting Platform Metric/Inch
- 253 PHSP20 20mm Stainless Steel Optical Mounting Post, 50-200 mm Height, M4&M6 THD
- 253 PHSH20 Low-Cost Post Holder, 25-100 mm height, 20mm ID, M6
- 254 PP Series Stainless Steel Optical Pedestal, M6 TH.
- 255 PHSR38-1 (2) 178mm/356mm Optical Support Rod, Mounting Base, 38mm Diameter
- 255 PHSR38-1 (2)A 178mm/356mm Optical Support Rod, Mounting Base, 38mm Diameter
- 255 PHCR-1 Rod Clamp, For 38mm Diameter Model: PHSR38-1/2
- 255 PHCR-1A Rack-and-Pinion Rod Clamp, For 38mm Diameter

Models PHSR38-1A/2A

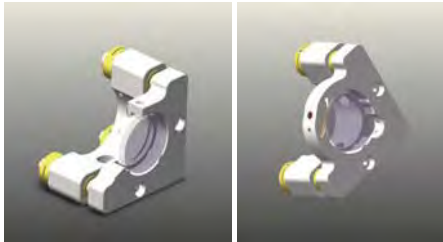
- 256 PHCR-2 Rod Platform, Three Machined Mounting Surfaces
- 256 PHCR-3 Five Surfaces Rod Clamp
- 256 PHCRT-1 Riser
- 257 PHCP-1 Swivel Post Clamp, 90 Degree
- 257 PHCP-2 Swivel Post Clamp, 360 Degree
- 258 PHUC-1/2/3 Universal Cross-Posts, 360 Degree
- 258 PHTP Flipper Optic Mount, 25.4 Diameter, M6
- 259 RAOB Optical Rail, 200-2000mm Length
- 259 RACA Optical Rail Carrier, for RAOB Optical Rails
- 260 LMB Miniature Optical Rails for LMB Laser Mount, $\pm 3^\circ$ angle

Optical Mounts for Laser Processing Machine 261

- 262 LM20-2 Laser Mounts of Specialized Mirror
- 262 LM20-2B Laser Mounts of dust-proof Bolster
- 262 LM20-PH-XY Laser Mounts of Pinhole Diaphragm
- 263 LM20-2-Q 2D Laser Mounts of Q-switch
- 263 LM20-4-LBE 4D Laser Mounts of Laser Beam Expanders
- 263 LM20-4-LD 4D Laser Mounts of LD
- 264 LMB Optical Mounts for Laser Processing Machine

Kinematic Mirror Mounts

OMUS Ultra-High Stability Optical Mount



OMUS25.4-B

OMUS25.4

- Material: 304 Stainless Steel ;It can be used in vacuum if change to vacuum grease
- Fine adjustment screw with lockable function,improve stability and sensitivity
- Double method of fixing optics: screw fix and ring fix; The screw can fix optics stability even thoug moving ring
- Double lockable function: Screw with lockable function and front&rear plate with lockable function
- Adjustment: Screw with allen-key and customer can adjust it freely by allen wrench or screw
- The thickness of rear plate is 18mm; It ensure stability of mount

Accessories



Model Sheet:

Model	Adjustment Angle (°)	Diameter (mm)	Aperture (mm)	Center Height (mm)	Screw (mm)
OMUS12.7	±3	12.5/12.7	11	12.5	M6,Counterbore φ8
OMUS12.7-B	±3	12.5/12.7	11	12.5	M6,Counterbore φ8
OMUS20	±3	20	18	25	M6,Counterbore φ8
OMUS20-B	±3	20	18	25	M6,Counterbore φ8
OMUS25.4	±3	25/25.4	23	25	M6,Counterbore φ8
OMUS25.4-B	±3	25/25.4	23	25	M6,Counterbore φ8
OMUS50.8-B	±3	50/50.8	48	38	M6,Counterbore φ8

Beam Steers

Polarizer mounts

Filter Mounts

Lens Mounts

Special Lens mounts

Prism Mounts

Laser Mounts

Slit

Fiber Coupler Mounts

Accessories

Post&Holder

LM Optical Mounts for Industry

OMHS Kinematic Mirror Mounts

Precision Center Mirror Mount, 12.7mm to 50.8mm Diameter, 3 Knob Adjustment



Beam Steers

Polarizer mounts

Filter Mounts

Lens Mounts

Special Lens
mounts

Prism Mounts

Laser Mounts

Slit

Fiber Coupler
Mounts

Accessories

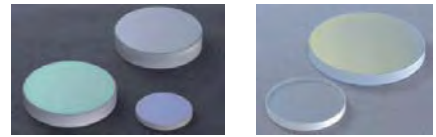
Post&Holder

LM Optical Mounts
for Industry

Model Sheet:

Model	OMHS12.7 (-S)	OMHS20 (-S)	OMHS25 (-S)	OMHS30 (-S)	OMHS38.1 (-S)	OMHS50 (-S)
Optic Diameter A (mm)	12.7	20	25/25.4	30	38.1	50/50.8
Counterbore B (mm)	11	18	22	27	35	47
Angular Range (°)	±3	±3	±3	±3	±3	±3
Tx travel (mm)	6	6	6	6	6	6
Lock function	"S" mean Lockable function					
Screw (mm)	M6, Counterbore ϕ 8					

Accessories:



Application:



Lock mechanism

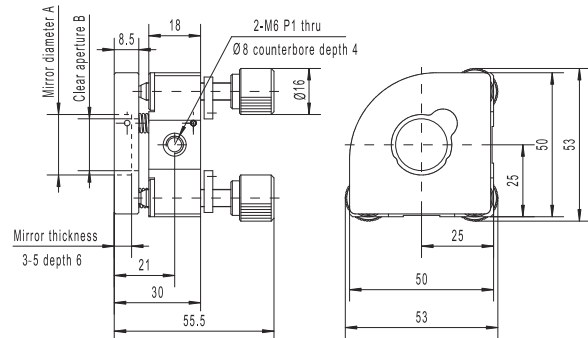
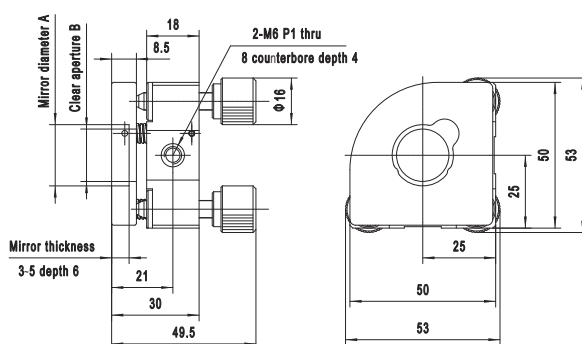
Drawing:



OMHS12.7/20/25/30 ▼



OMHS12.7/20/25/30-S ▼

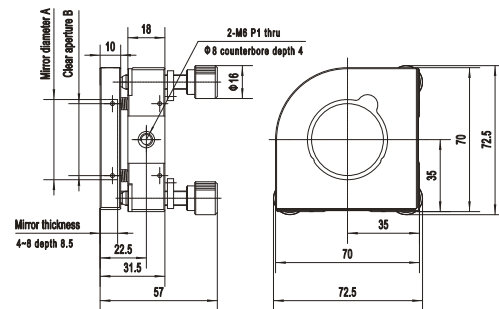
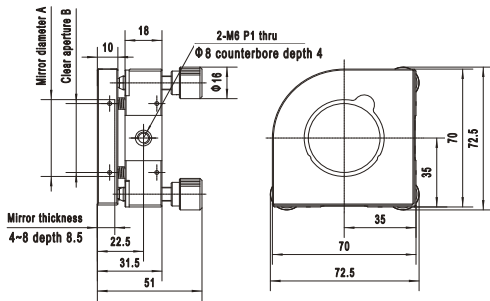




OMHS38.1/50 ▼



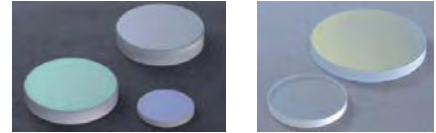
OMHS38.1/50-S ▼



Model Sheet:

Accessories:

Model	OMHS12.7-B	OMHS20-B	OMHS25-B	OMHS30-B	OMHS38.1-B	OMHS50-B
Optic Diameter A (mm)	12.7	20	25/25.4	30	38.1	50/50.8
Counterbore B (mm)	11	18	22	27	35	47
Angular Range (degree)	±3	±3	±3	±3	±3	±3
Tx travel (mm)	6	6	6	6	6	6
Lock function	"BS" means lockable function					
Screw (mm)	M6, Counterbore ϕ 8					



Application:



Lock mechanism

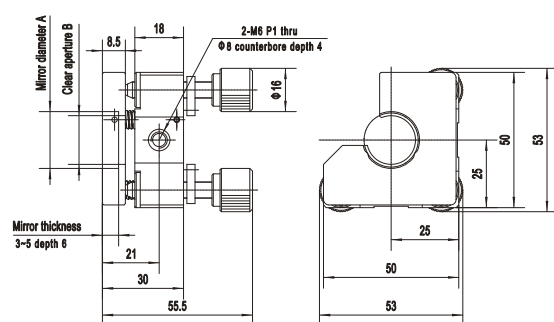
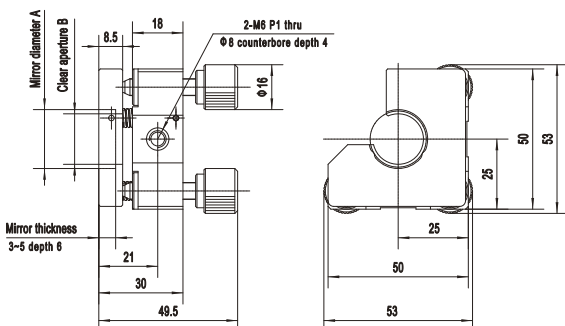
Drawing:



OMHS12.7/20/25/30-B ▼



OMHS12.7/20/25/30-BS ▼

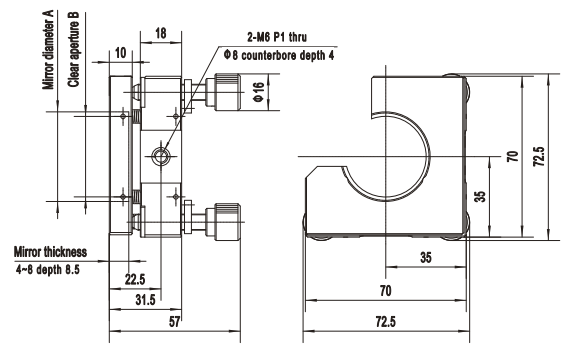
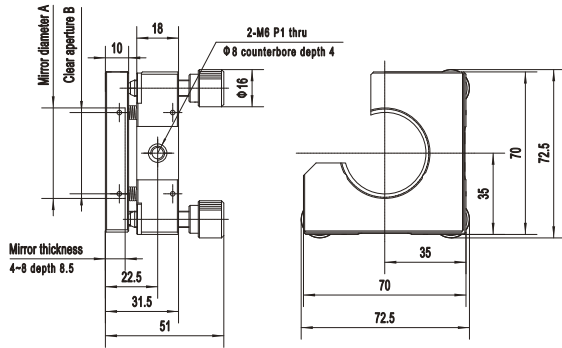




OMHS38.1/50-B ▼



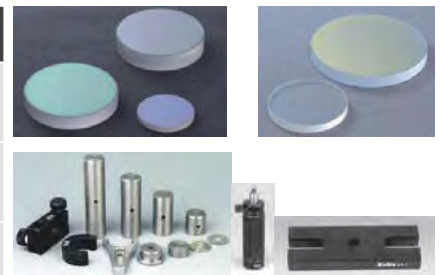
OMHS38.1/50-BS ▼



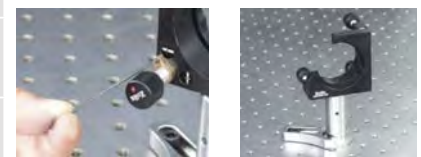
Model Sheet:

Model	OMHS12.7-C	OMHS20-C	OMHS25-C	OMHS25.4-C	OMHS30-C	OMHS38.1-C	OMHS50-C	OMHS50.8-C
Optic Diameter A (mm)	12.7	20	25	25.4	30	38.1	50	50.8
Counterbore B (mm)	11	18	23	23	28	35	47	47
Angular Range (degree)	±3	±3	±3	±3	±3	±3	±3	±3
Tx travel	6	6	6	6	6	6	6	6
Lock function	"CS" meas lockable function							
Screw (mm)	M6, Counterbore φ 8							

Accessories:

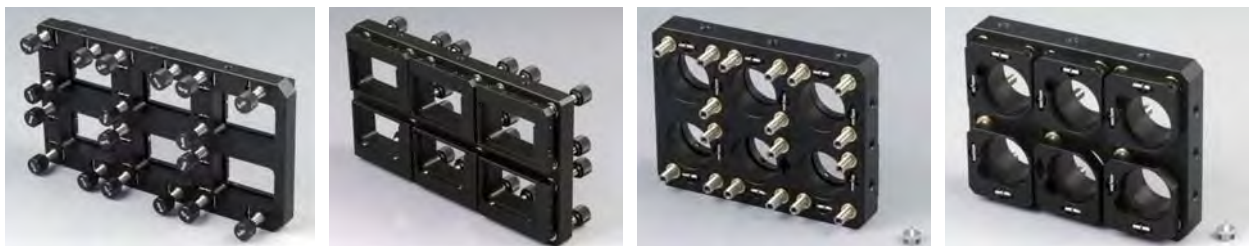


Application:



Lock mechanism

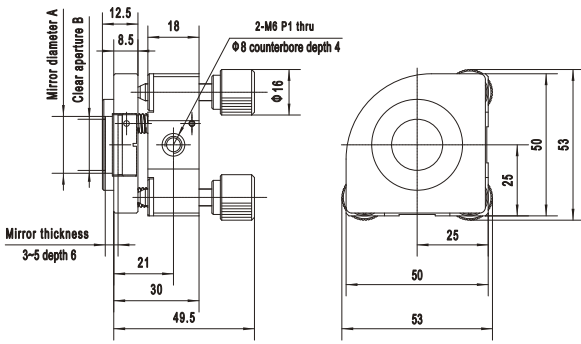
Optical Array Mount:



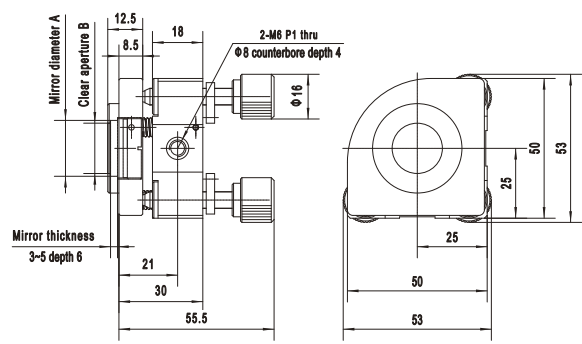
Drawing:



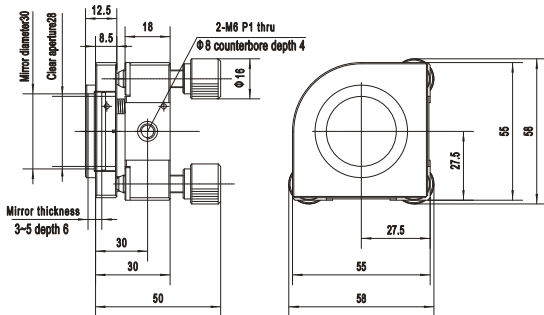
OMHS12.7/20/25/25.4-C ▼



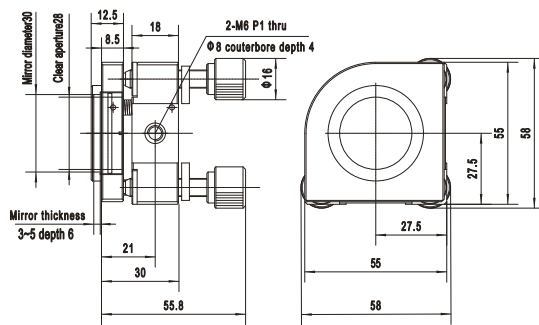
OMHS12.7/20/25.4-CS ▼



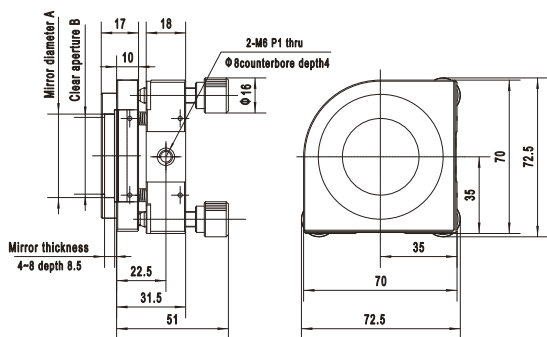
OMHS30-C ▼



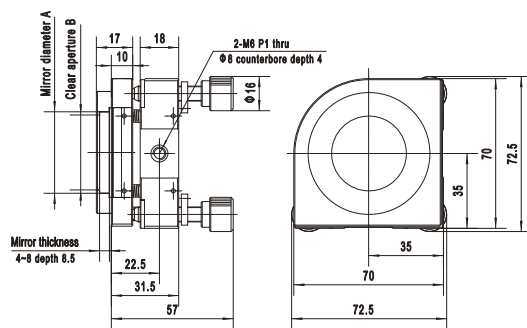
OMHS30-CS ▼



OMHS38.1/50/50.8-C ▼



OMHS38.1/50/50.8-CS ▼



OMHS-LBE22/WJ/CMount



Precision Center Mirror Mount, Beam Expanders/Lens/ C Mount, 3 Locking Knob Adjustment Details&Spec:

OMHS-LBE22/WJ/CMount adopted the same construter with OMHS series,Adds horizontal adjustment along with light axis;

OMHS-LBE22 can equipment our laser beam expander,interface:M22X0.75

OMHS-WJ can install kinds of microscopy objective,interface: inch 4/5"-1/36

OMHS-CMount install C interface machine (CCD and so on),interface: 1"-1/32

Accessories:



显微物镜、激光扩束镜、C-Mount镜头

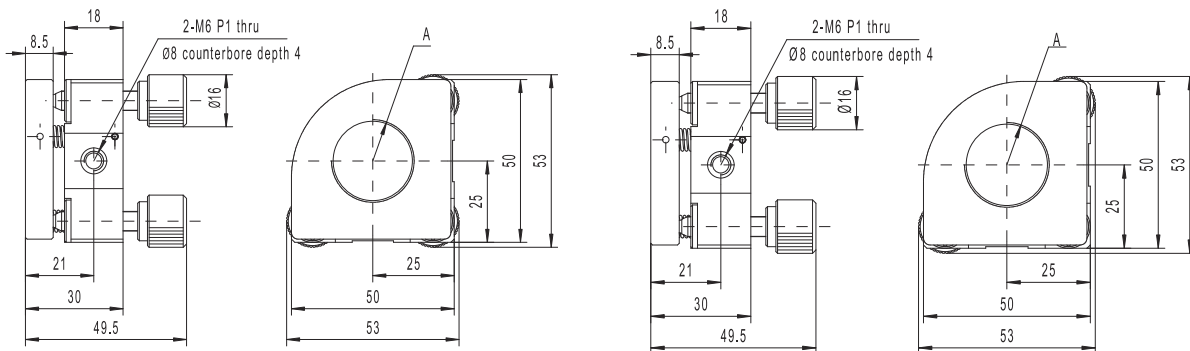


Accessories

Model Sheet:

Model	Name	Size	Angle	Tx (mm)
OMHS-LBE22	Three dimension beam expander mount	M22X0.75	±3	6
OMHS-WJ	Three dimension microscopy objective mount	4/5"-1/36	±3	
OMHS-CMount	Three dimension Cinterface mount	1"-1/32	±3	

Drawing::



OMRS Precision Center Mirror Mount, 12.7-50.8mm Diameter, 2 Knobs Adjustment

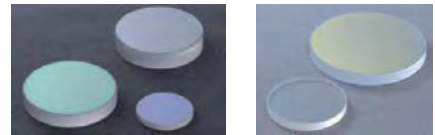


Precision Center Mirror Mount, 12.7mm to 50.8mm Diameter, 2 Knob Adjustment

Model Sheet:

Model	OMRS12.7 (-S)	OMRS20 (-S)	OMRS25 (-S)	OMRS30 (-S)	OMRS38.1 (-S)	OMRS50 (-S)
Optic Diameter A (mm)	12.7	20	25/25.4	30	38.1	50/50.8
Counterbore B (mm)	11	18	22	27	35	47
Angular Range (degree)	±3	±3	±3	±3	±3	±3
Lock function	"S" mean Lockable function					
Screw (mm)	M6, Counterbore ϕ 8					

Accessories:



Application:



Lock mechanism

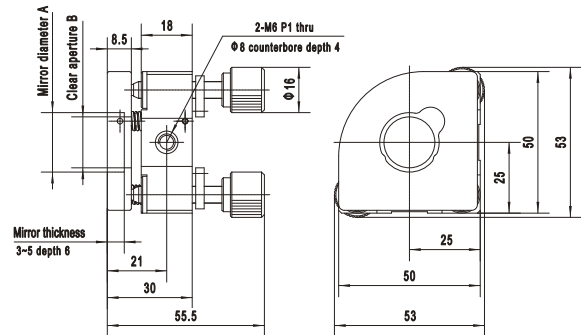
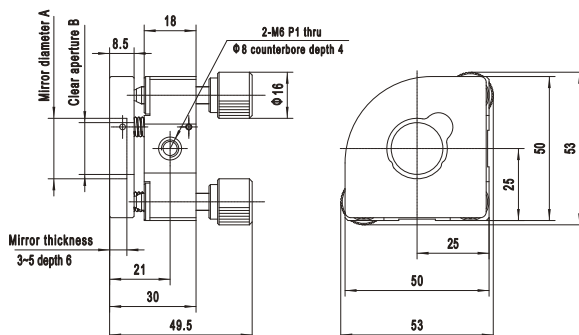
Drawing:



OMRS12.7/20/25/30 ▼



OMRS12.7/20/25/30-S ▼

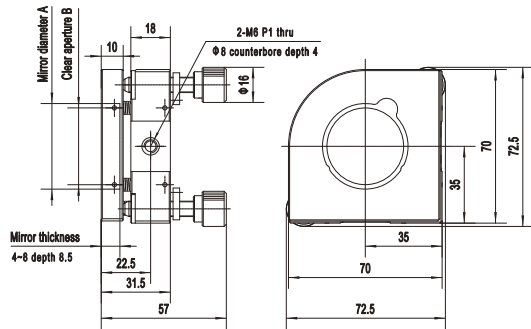
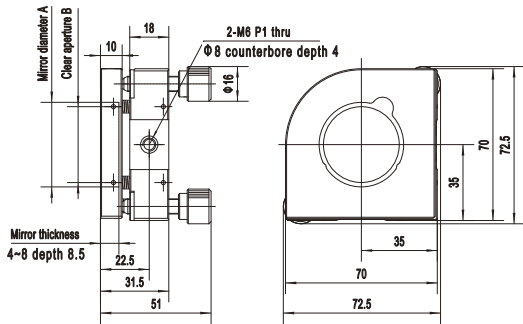




OMRS38.1/50 ▼



OMRS38.1/50-S ▼



Model Sheet:

Model	OMRS12.7-B	OMRS20-B	OMRS25-B	OMRS30-B	OMRS38.1-B	OMRS50-B
Optic Diameter A (mm)	12.7	20	25/25.4	30	38.1	50/50.8
Counterbore B (mm)	11	18	22	27	35	47
Angular Range (degree)	±3	±3	±3	±3	±3	±3
Lock function	"BS" means lockable function					
Screw (mm)	M6, Counterbore ϕ 8					

Accessories:



Accessories

Application:



Lock mechanism

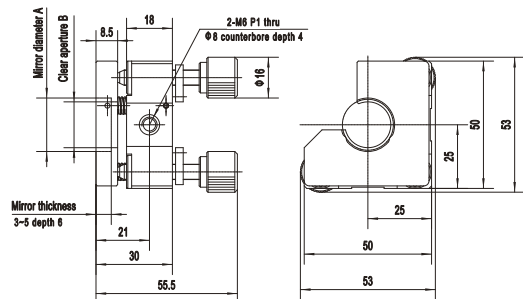
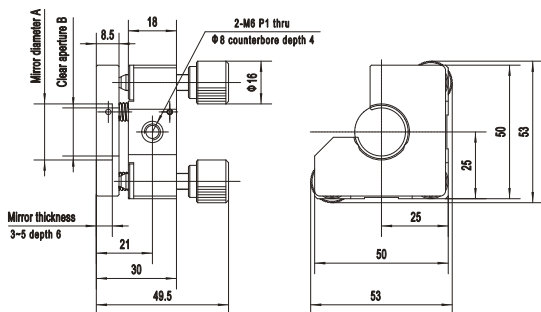
Drawing:



OMRS12.7/20/25/30-B ▼



OMRS12.7/20/25/30-BS ▼

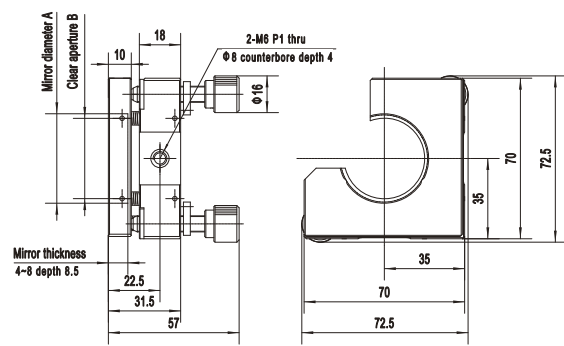
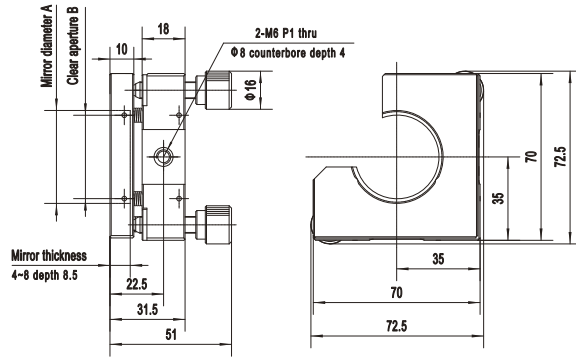




OMRS38.1/50-B ▼



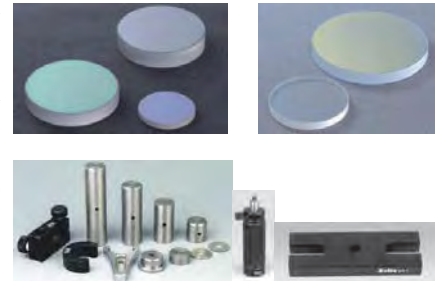
OMRS38.1/50-BS ▼



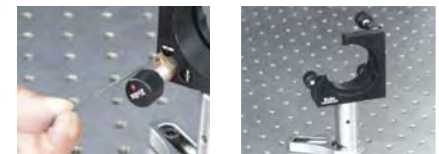
Model Sheet:

Model	OMRS 12.7-C(S)	OMRS 20-C(S)	OMRS 25-C(S)	OMRS 25.4-C(S)	OMRS 30-C(S)	OMRS 38.1-C(S)	OMRS 50-C(S)	OMRS 50.8-C(S)
Optic Diameter A (mm)	12.7	20	25	25.4	30	38.1	50	50.8
Counterbore B (mm)	11	18	23	23	28	35	47	47
Angular Range (degree)	±3	±3	±3	±3	±3	±3	±3	±3
Lock function	"CS" means lockable function							
Screw (mm)	M6, Counterbore φ 8							

Accessories:



Application:

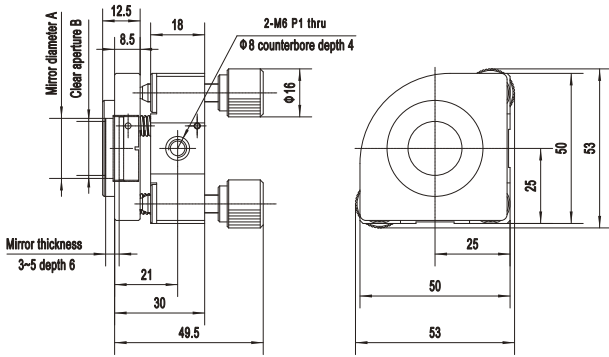


Lock mechanism

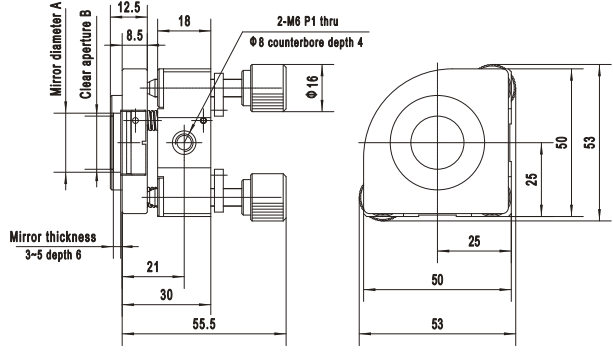
Drawing:



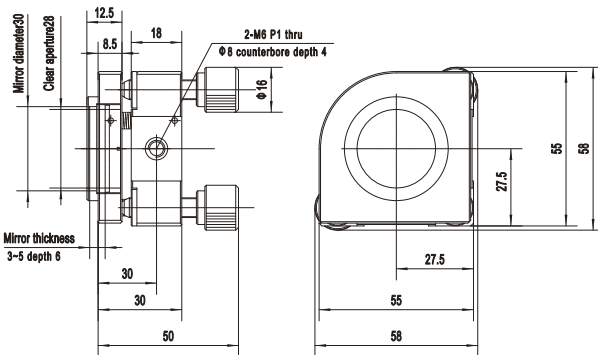
OMRS12.7/20/25/25.4-C ▼



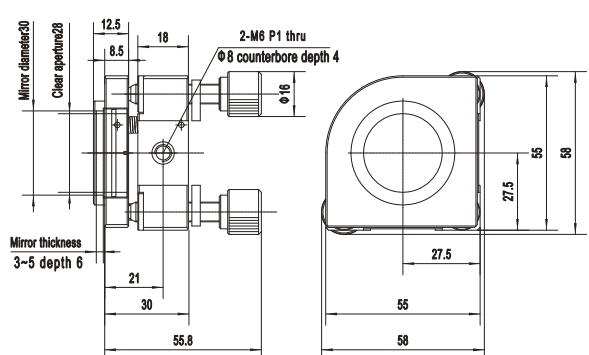
OMRS12.7/20/25.4-CS ▼



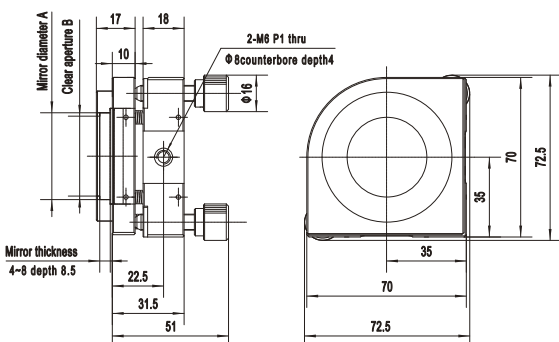
OMRS30-C ▼



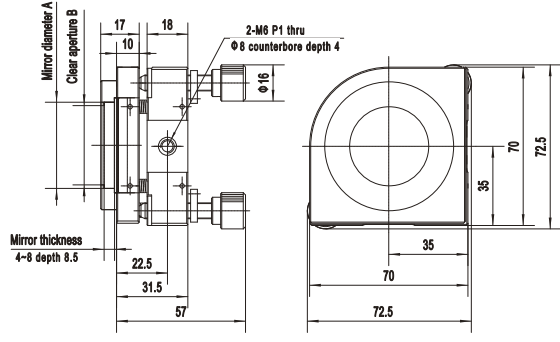
OMRS30-CS ▼



OMRS38.1/50/50.8-C ▼



OMRS38.1/50/50.8-CS ▼



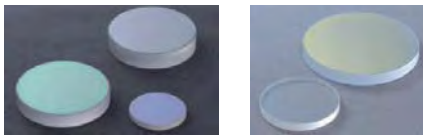
OMMBXX-1BL Precision Center Mirror Mount, 8/10/12.5mm Diameter, 2 Knob Adjustment



Details&Spec:

- Relatively small in diameter for clamping the lens, the lens can be adjusted two-dimensional tilt adjustment screw for fine-tooth screw M4x0.3, Extension Spring reset. Compact form to save space. They can also be used for precision space APSF13-1A filter, replace the micro-lens. Adjustment range: $\pm 3^\circ$

Accessories:

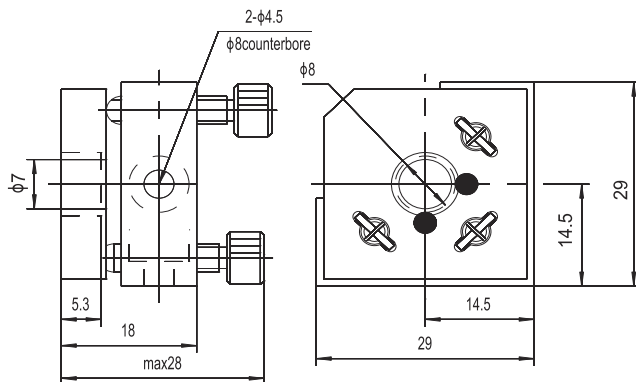


Model Sheet:

Model	OMMB8-1BL	OMMB10-1BL
Optic Diameter A (mm)	8	10
Counterbore B (mm)	7	9
Angular Range (degree)	± 3	± 3
Lock function	No	No
Screw (mm)	$\phi 4.5$ Counterbore $\phi 8$ (M4)	
Post	PHSP12-B/C	

Drawing:

OMMB8/10-1BL ▼



OMMBxx-2SVB Top Adjustable Mirror Mount



OMMBxx-2SVB

LM12.7-VM05

Accessories:

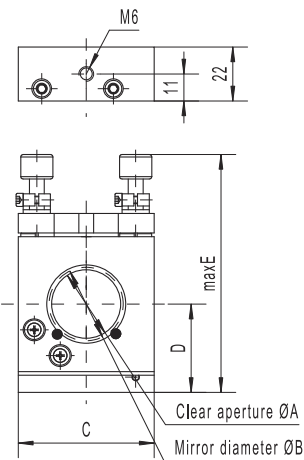


Model Sheet:

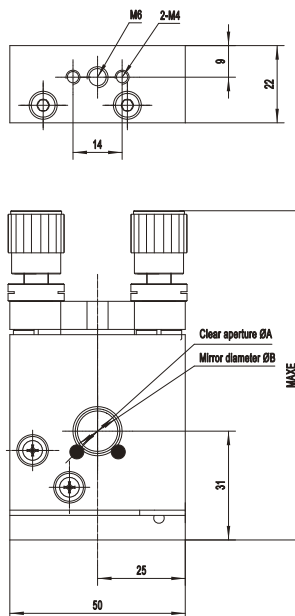
Model	LM12.7-VM05	OMMB20-2SVB	OMMB25-2SVB	OMMB30-2SVB	OMMB50-2SVB
Diameter B (mm)	12.7	20	25/25.4	30	50/50.8
Aperture A (mm)	11.5	18	23	28	48
Width C (mm)	50	50	50	55	76
Center Height D (mm)	31	33.5	33.5	36	44
Height E (mm)	95	95	95	100	124.5
Adjustment Angle (°)	±2.5°	±2.5°	±2.5°	±2.5°	±2.5°
Lock function	Yes				
Screw (mm)	M6				
Post	PHSP12-X				

Drawing:

OMMBxx-2SVB



LM12.7-VM05



OMMB50 (80/100/102)-2BT Gimbal Mirror Mount



Model Sheet:

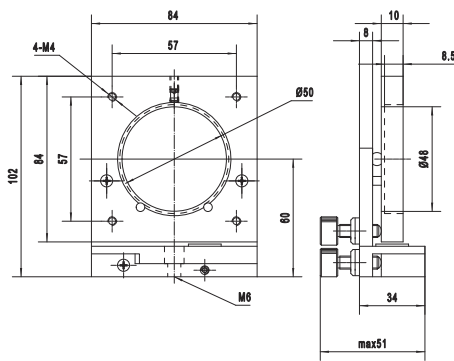
Model	OMMB50-2BT	OMMB80-2BT	OMMB100-2BT	OMMB102-2BT
Diameter (mm)	50	80	100	102
Aperture (mm)	48	78	98	100
Width (mm)	84	110	130	132
Center Height (mm)	60	75	85	86
Height (mm)	102	128.5	146.5	151.5
Adjustment Angle (°)	±2.5°	±2.5°	±2.5°	±2.5°
Lock function	No	No	No	No
Screw (mm)	M6×1	φ 4.5 Counterbore φ 7.5×1 φ 6.5 Counterbore φ 11×2		
Post	PPE TSMV			

Accessories:

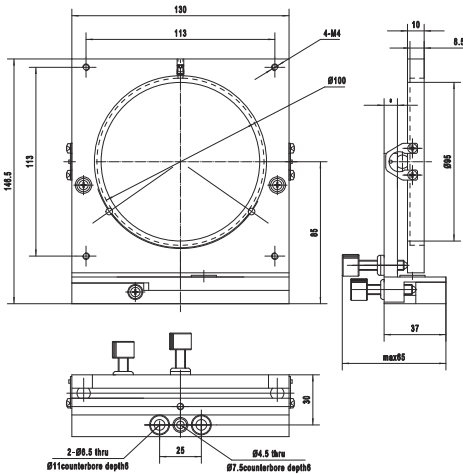


Drawing:

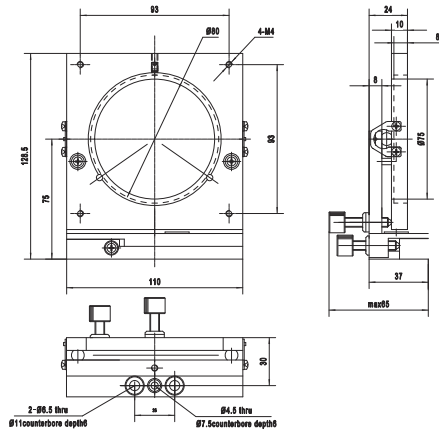
OMMB50-2BT



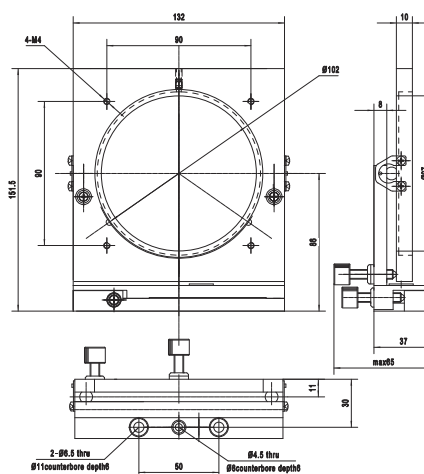
OMMB100-2BT



OMMB80-2BT



OMMB102-2BT



Gimbal Mirror Mounts

OMUM40/52-1 Precision Gimbal Optic Mount, 52mm and 40mm Diameter, $\pm 3^\circ$ Fine Range



OMUM40-1 ▲

OMUM52-1 ▲



Details&Spec:

OMUM52-1

- ◆ Adjustment range-Coarse :360°
- ◆ Adjustment range-Fine-tuning : $\pm 3^\circ$
- ◆ Aperture installed :M52x1
- ◆ Weight :0.7kg

OMUM40-1

- ◆ Adjustment range-Coarse :360°
- ◆ Adjustment range-Fine-tuning : $\pm 3^\circ$
- ◆ Aperture installed :40mm
- ◆ Weight :0.6kg

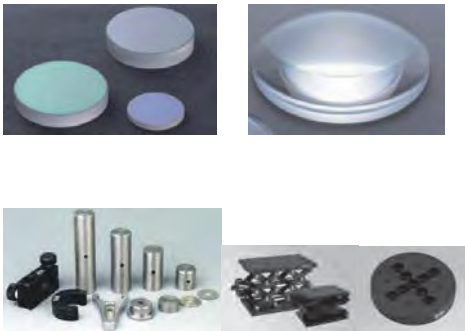
OMUM52-2 Precision Gimbal Optic Mount, 52mm Diameter



Details&Spec:

- ◆ Tx:6mm
- ◆ Tz: ± 2.5 mm
- ◆ $\theta z / \theta y$: $\pm 4^\circ$
- ◆ Ty/Tz: ± 2.5 mm
- ◆ θy : $\pm 2^\circ$
- ◆ Aperture installed :M52x1
- ◆ Weight :0.6kg

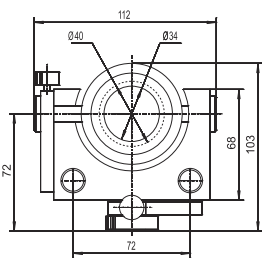
Accessories:



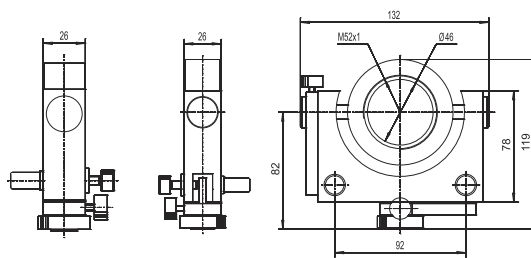
Model	OMUM40-1	OMUM52-1	OMUM52-2
Diameter (mm)	40	ScrewM52 × 1 50/50.8	ScrewM52 × 1 50/50.8
Aperture (mm)	34	46	46
Width (mm)	112	132	92
Center Height (mm)	72	82	67
Height (mm)	103	119	113
Adjustment Angle (°)	Coarse Range 360° Fine Range $\pm 3^\circ$	Coarse Range 360° Fine Range $\pm 3^\circ$	X: 6mm Y, Z: ± 2.5 mm θz Pitch $\pm 4^\circ$ θy Yaw $\pm 2^\circ$
Lock function		Yes	
Post	ACCA	ACCA	PPE TSMV

Drawing:

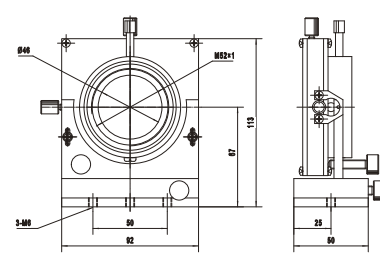
OMUM40-1 ▼



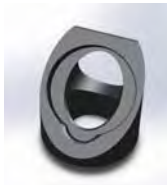
OMUM52-1 ▼



OMUM52-2 ▼



MAD25-45MH-xx 45° Mirror Adapter, 2-in.(50.8-mm)



MAD25-45MH-xx



MAD25-45-M

Specification:

MAD25-45MH-XX This 45 degree mirror adapter is ideal for beam splitting, periscopes, and general beam-steering applications. When the 45° adapter is used in a periscope, the beam stays centered on the mirror, simplifying alignment.

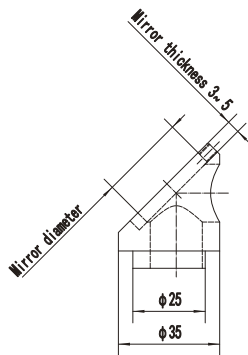
MAD25-45MH-M is adaptor of 25 mm diameter post ;

Model Sheet:

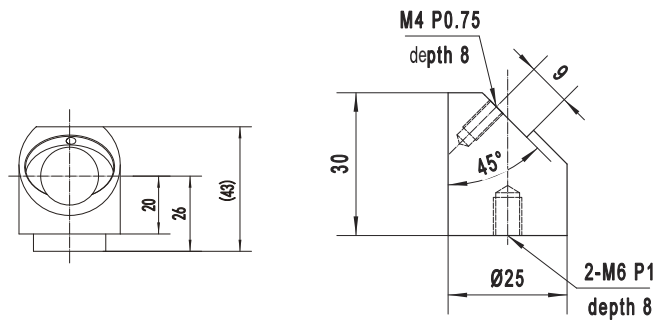
Model	Name	Diameter (mm)	Fix (mm)
MAD25-45MH-12.7	45degree mirror adapter	12.7	φ 25
MAD25-45MH-20	45degree mirror adapter	20	φ 25
MAD25-45MH-25	45degree mirror adapter	25	φ 25
MAD25-45MH-30	45degree mirror adapter	30	φ 25
MAD25-45MH-M	45degree mount adaptor	OMUS\OMHS\OMRS	M4/M6

Drawing:

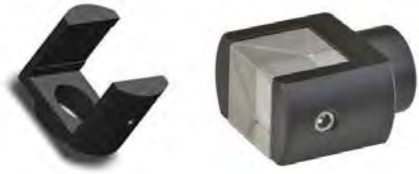
MAD25-45MH-xx ▼



MAD25-45MH-M ▼



MAD25-CBH-xx Splitting Cube Adaptor



Specification:

MAD25-CBH is a adaptor of Splitting Cube and fix cube on optical mount directly;

Model Sheet:

Model	Name	Cube size A (mm)	Fix (mm)
MAD25-CBH-10	Splitting Cube Adapter	10	φ 25
MAD25-CBH-15	Splitting Cube Adapter	15	φ 25
MAD25-CBH-20	Splitting Cube Adapter	20	φ 25
MAD25-CBH-30	Splitting Cube Adapter	30	φ 25

Accessories:



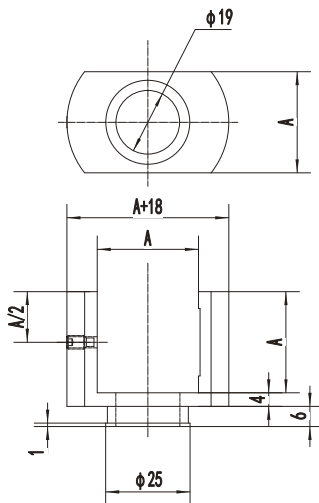
Mount: OMRS、OMHS、OMUS



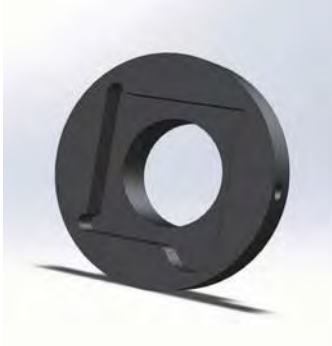
Accessories

Drawing:

MAD25-CBH-xx ▼



MAD25-S2C-xx Square Lens Adaptor



Specification:

MAD25-S2C-XX is a adaptor of Square Lens and fix it on optical mount directly;

Accessories:



Mount: OMRS、OMHS、OMUS



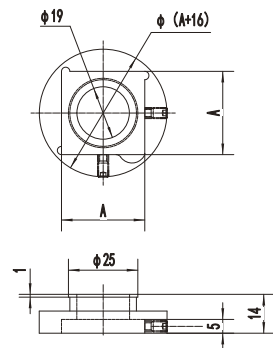
Accessories

Model Sheet:

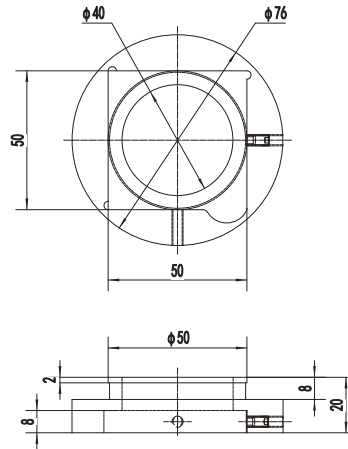
Model	Optics Size A (mm × mm)	Optics Thickness (mm)	Fix (mm)
MAD25-S2C-20	20 × 20	5	φ 25
MAD25-S2C-25	25 × 25	5	φ 25
MAD25-S2C-30	30 × 30	5	φ 25
MAD50-S2C-50	50 × 50	8	φ 50

Drawing:

MAD25-S2C-20/25/30 ▼



MAD50-S2C-50 ▼



Beam Steers

BSxx Pedestal Periscope, 315mm Max Ht, 12.7/20/25/30/38.1/50/50.9mm Diameter Mirrors



Specification:

The BSXX Beam Steerer lets you easily set your laser beam height and precisely control the azimuth and elevation angles of the beam leaving the periscope device. Mirror Mounts with 45° mirror holders for different diameter mirrors allow your beam to be precisely positioned. If a taller beam steerer is required, simply attach an extension post (see Pedestal Post System). The beam steerer is securely mounted anywhere on an optical table using the stainless steel clamping fork.

Accessories:



Accessories

Model Sheet:

Model	Name	Description	Height (mm)	Height Range (mm)
BSMB150-Max30	BS (Max diameter 30mm)	PPE150×2 PPB15×1 PPF25×1	315mm	150
BSMB150-Max50	BS(Max diameter 50/50.8mm)	PPE150×2 PPB15×1 PPF25×1	315mm	150
BSRS150-12.7/20/25/30	Beam Steer	BSMB150-Max30×1 OMRS12.7/20/25/30×2	315mm	150
BSRS150-38.1/50	Beam Steer	BSMB150-Max50×1 OMRS38.1/50×2	315mm	150
BSHS150-12.7/20/25/30	Beam Steer	BSMB150-Max30×1 OMHS12.7/20/25/30×2	315mm	150
BSHS150-38.1/50	Beam Steer	BSMB150-Max50×1 OMHS38.1/50×2	315mm	150
BSUS150-12.7/20/25.4	Beam Steer	BSMB150-Max30×1 OMUS12.7/20/25.4×2	315mm	150

OMUS ULTRA-High Stability Optical Mount

Beam Steers

Polarizer mounts

Filter Mounts

Lens Mounts

Special Lens mounts

Prism Mounts

Laser Mounts

Slit

Fiber Coupler Mounts

Accessories

Post&Holder

LM Optical Mounts for Industry

Optical Mounts — Beam Steers

OMUS uLTRA-High Stability Optical Mount

Beam Steers

Polarizer mounts

Filter Mounts

Lens Mounts

Special Lens mounts

Prism Mounts

Laser Mounts

Slit

Fiber Coupler Mounts

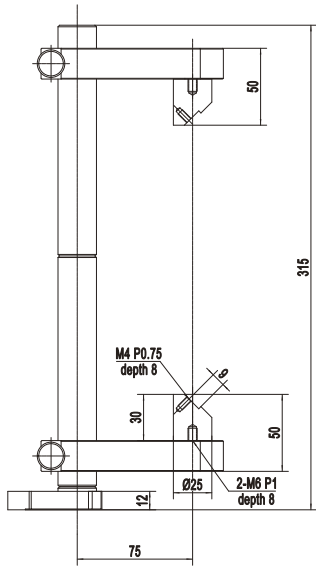
Accessories

Post&Holder

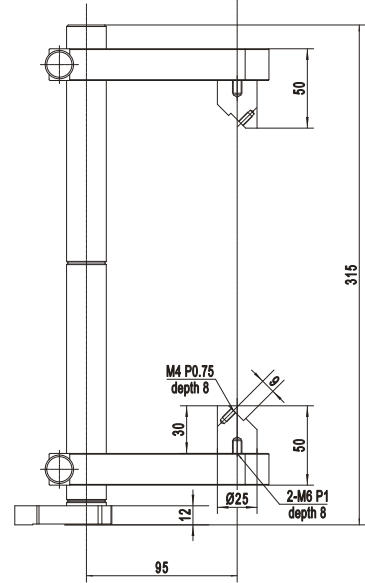
LM Optical Mounts for Industry

Drawing:

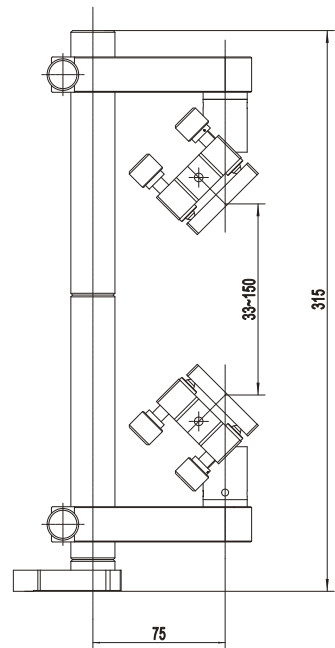
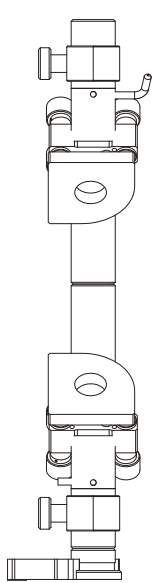
BSMB150-Max30 ▼



BSMB150-Max50 ▼



BSHS150-25 (例) ▼



OMBS180 Beam Steer



OMBS180-1/2/3 (The base is ▲
ordered separately)



OMBS180-4 ▲ OMBS180-5/6 ▲
(ordered separately) (ordered separately)

Specification:

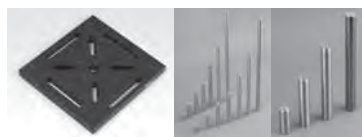
Beam Steerer , 180mm Max Ht,25/25.4mm. Mirrors

In optical experiments,often need to change the direciton or beam high ,the using of beam turing device is a simple and convenient way.OMBS180 series beam turing devices can hold a varity diameter of prisms and mirrors. Mirrors seat can be 360 ° rotating (θz), and $\pm 4^\circ$ tilt adjustment (θy , θz),this series adopt ultra-fine tuning srcrew drive,disc spring reset,high precision,excellent stability ,holders adopt a standard diameter stainless steel pole, installation convenience, aesthetics, the application. Enhance the maximum height of the beam: 180mm

Model Sheet:

Model	Height (mm)	Post diameter (mm)	Optic Diameter A (mm)	Height Range (°) (mm)	Adaptor width B (mm)
OMBS180-1	300	12	$\phi 25/25.4$	25 ~ 180	32
OMBS180-2	300	12	$\phi 20$	25 ~ 180	32
OMBS180-3	300	12	$\phi 30$	25 ~ 180	36
OMBS180-38.1	300	12	$\phi 38.1$	25 ~ 180	38
OMBS180-4	300	12	width25/25.4	25 ~ 180	38

Accessories:



Accessories

Model Sheet:

Model	Height H (mm)	Post diameter (mm)	Optic Diameter C (mm)	Height Range (°) A (mm)	Adaptor width B (mm)
OMBS180-5	324	20	$\phi 50$	50 ~ 180	70
OMBS180-6	334	20	$\phi 60$	57 ~ 180	80

Optical Mounts — Beam Steers

OMUS uLTRA-High Stability Optical Mount

Beam Steers

Polarizer mounts

Filter Mounts

Lens Mounts

Special Lens mounts

Prism Mounts

Laser Mounts

Slit

Fiber Coupler Mounts

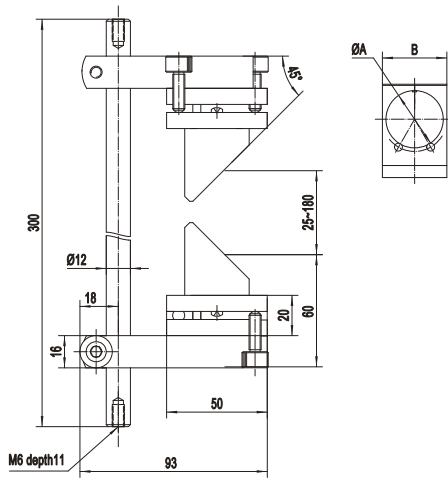
Accessories

Post&Holder

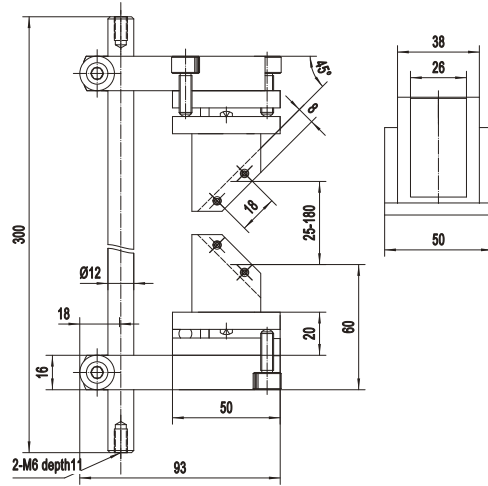
LM Optical Mounts for Industry

Drawing:

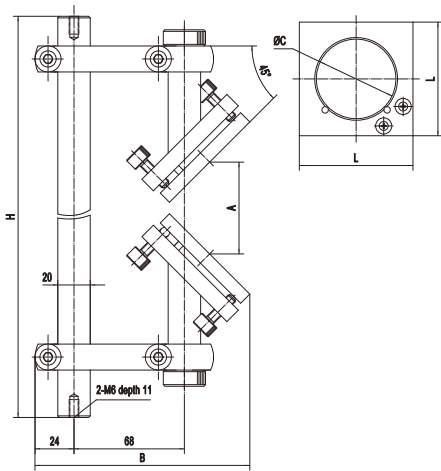
OMBS180-1/2/3/38.1 ▼



OMBS180-4 ▼



OMBS180-5/6 ▼



Polarizer Mounts

OMPO12.7/25.4/30-B Polarizer Rotation Mount, 12.7mm ,25.4mm and 30mm Diameter, 2° Graduations



Details&Spec:

OMPOXX-B mount cancel 2 dimension tilt adjustment, ensure 360 degree rotation adjustment along light axis, thickness reduce range: 16mm

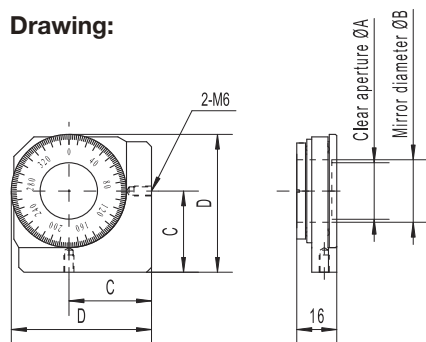
Adjustable range: $\theta x:360^\circ$

Min Graduation:2°

Model Sheet:

Model	OMPO12.7-B	OMPO25.4-B	OMPO30-B
DiameterB (mm)	12.7	25.4	30
Counterbore A (mm)	11	23	27
Center Height (mm)C	33	33	37
Total HeightD (MM)	56	56	64
Adjustment Angle $\theta x (^\circ)$	360	360	360
Min Scale (°)	2	2	2
Screw (mm)	M6	M	M6
Accessories	PHSP12-x PPE	PHSP12-x PPE	PHSP12-x PPE

Drawing:



Accessories:



OMPO12.7/25.4/30-1 Polarizer Rotation Mount, 12.7mm ,25.4mm and 30mm Diameter



Details&Spec:

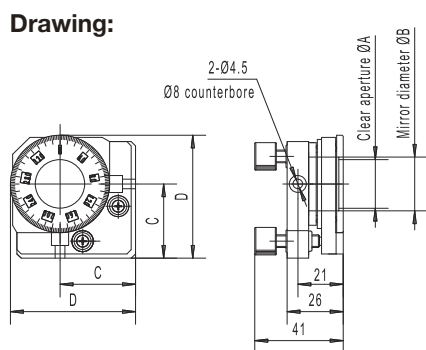
Application diameter 12.7mm polarizer or filter or other circle optics, precision axis position stability,,achieve yaw,pitch and roll motion

Range of adjustable: $\theta x:360^\circ$ $\theta y:\pm 3^\circ$ $\theta z:\pm 3^\circ$

Model Sheet:

Model	OMPO12.7-1	OMPO25.4-1	OMPO30-1
Optic Diameter B (mm)	12.7	25.4	30
Counterbore A (mm)	11	23	27
Center Height (mm)C	35	35	39
Total HeightD (MM)	58	58	66
Adjustment Angle $\theta x (^\circ)$	360	360	360
Adjustment Angle $\theta y, \theta z (^\circ)$	± 3	± 3	± 3
Min Scale (°)	2	2	2
Screw (mm)	$\phi 4.5$ Counterbore $\phi 8$		
Accessories	PHSP12-B/C PPE	PHSP12-B/C PPE	PHSP12-B/C PPE

Drawing:



Accessories:



OMPO25.4/30-LJ Polarizer Rotation Mount, 12.7mm ,25.4mm and 30mm Diameter Prisms or Polarizers

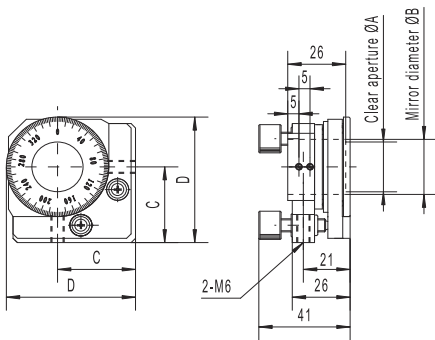


Details&Spec:

Suitable for our OPGT25.4 series

Taylor prism, OPGL25.4 Series Grand laser prism, OPGM25.4 Series Grand - OPWT25.4 Thomson prism and a variety of series such as Wollaston prism, holding diameter is 25mm or 25.4mm optics cylindrical parts. locking ring, the use of precision rotating shaft, the positioning and stability, reliable, 360 ° circular depiction. The realization of pitch, and the yaw axis of rotation around the optical components of three-dimensional adjustment.

Drawing:



Model Sheet:

Model	OMPO25.4-LJ	OMPO30-LJ
Diameter B (mm)	25.4	30
Aperture A (mm)	23	27
Center Height C (mm)	35	39
Height D (mm)	58	66
Adjustment Angle θ_x (°)	360	360
Adjustment Angle θ_y, θ_z (°)	± 3	± 3
Min Scale (°)	2	2
Screw (mm)	M6	M6
Accessories	PHSP12-x PPE	PHSP12-x PPE

Accessories:



Filter Mounts

OMFM-1、OMFM25-1 Filter Mount, 30mm Thickness



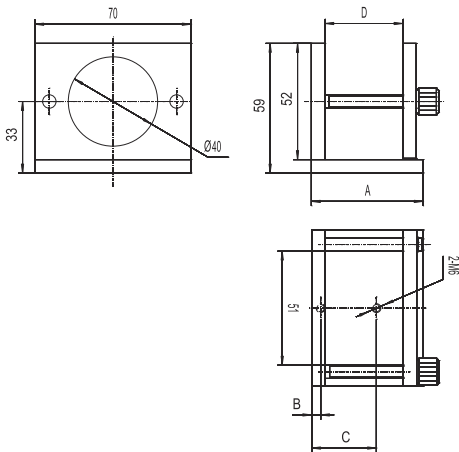
Details&Spec:

Gripping filters and films optical parts, the below of the sliding plate design has the flexibility to installations, movement smoother and more comfortable, convenient placement of optical films and locking hand wheel lock available, stable and secure gripping.

Model Sheet:

Model	OMFM25-1	OMFM-1
Max Optic Width (mm)	50	50
Max Optic Thickness (mm)	8	30
Center Height (mm)	33	33
Thickness A (mm)	25	50
Screw Position B (mm)	-	5
Screw Position C (mm)	11	30
Weight (Kg)	0.17	0.2
Screw (mm)	M6	M6
Accessories	PHSP12-x PPE	PHSP12-x PPE

Drawing:



Accessories:



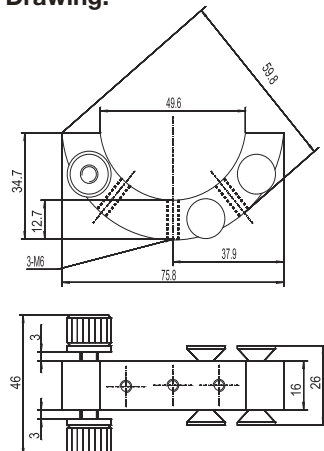
OMFM-2 Filter Mount, 3mm Thickness



Details&Spec:

- Open constructure is convenient for loading and unloading of optical films. on both sides donot touch the design,can protect optical films donot be scratched or bonded together,V-shaped supporting plus locking handwheel tight,stable and safe. Optical chip will be used to insert a corner of the two V-shaped head, the side screw on the hand wheel, the light can clamp hand wheel .

Drawing:



Accessories:



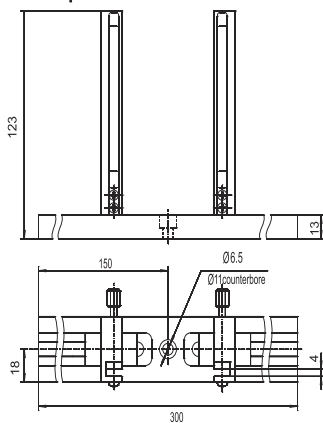
OMPM-1 Filter Mount, 4mm Thickness



Details&Spec:

- Used in holography and other optical experiments, for a fixed dry plates, film, etc., the inner piece of elastic fixed rigid top plate thick stem, the outer gripping film with a thin film of spring, loading and unloading easy, suitable for chamber operation. Card installed width adjustable, high universality.
- Holding thickness: 4mm
- Holding Width: 35 ~ 300mm
- Weight: 0.55kg

Drawing:



Accessories:



OMPM-2/3 Filter Mount 16mm Max Diameter



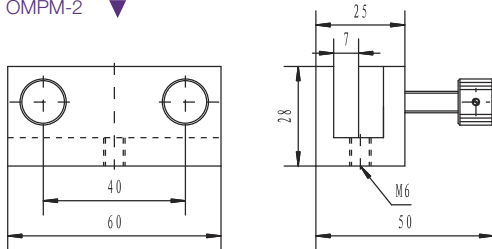
Details&Spec:

- Holding optical parts of different thickness, for example: glass, film etc
- OMPM-2 can hold the thickness of 0-6mm
- OMPM-3 hold the thickness of 0-16mm

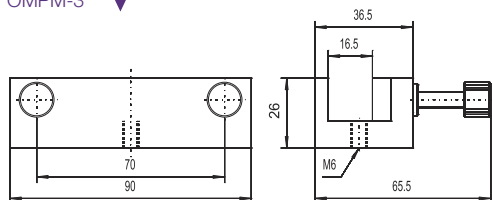
OMMB-NDFC50 Filter Wheel Mount , Does

Drawing:

OMPM-2 ▼



OMPM-3 ▼



Accessories:



Not Include Filter Wheels



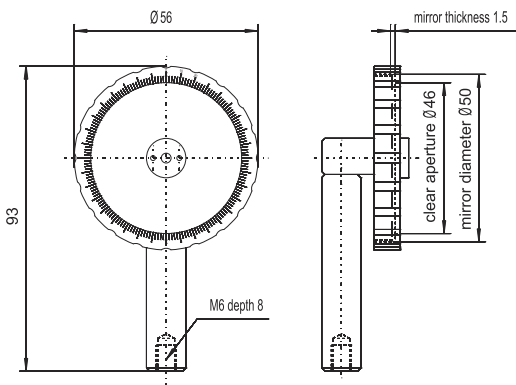
Details&Spec:

Conjunction with our company filter , have scale in outside . Outside diameter is 12mm, length : 37mm, can be fixed by PH series post holder

Model Sheet:

Model	Name	Description	Height (mm)	Screw (mm)
OMMB-NDFC50	Filter Mount	Mount&Post(without filter)	93	M6
OMMB-NDFC5010	Mount&Filter	OMMB-NDFC50×1 NDFC5010×1	93	M6
OMMB-NDFC5015	Mount&Filter	OMMB-NDFC50×1 NDFC5015×1	93	M6
OMMB-NDFC5020	Mount&Filter	OMMB-NDFC50×1 NDFC5020×1	93	M6
OMMB-NDFC5030	Mount&Filter	OMMB-NDFC50×1 NDFC5030×1	93	Screw

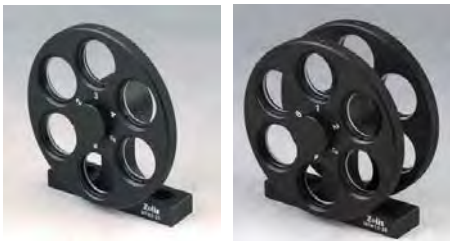
Drawing:



Accessories:



MFW6-25/MFW12-25 Single/Double Indexed Filter Wheel Mount, Holds 6/12 1.0 in. (25.4 mm) Diameter Filters



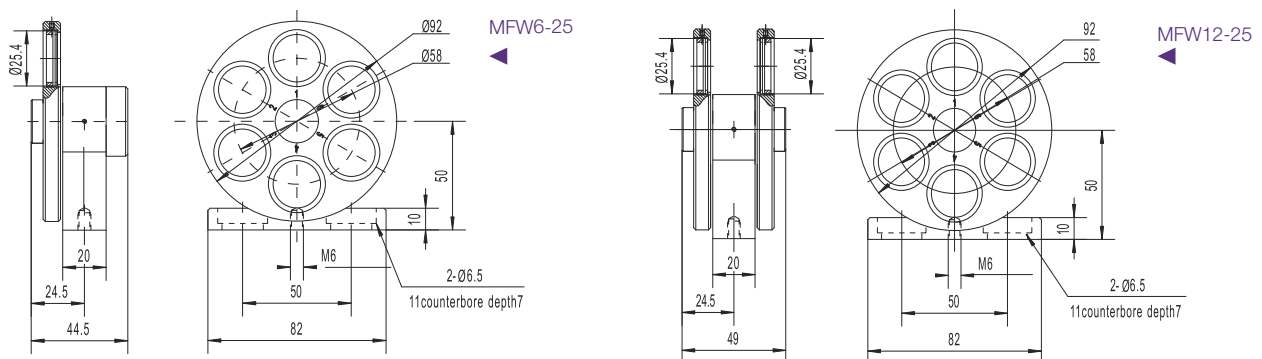
Model Sheet:

Model	MFW6-25	MFW12-25
Type	Filter Wheel Mount	Filter Wheel Mount
Filter Diameter	25.4 mm	25.4 mm
Maximum Thickness	4mm	4mm

Accessories:



Drawing:



Lens Mounts

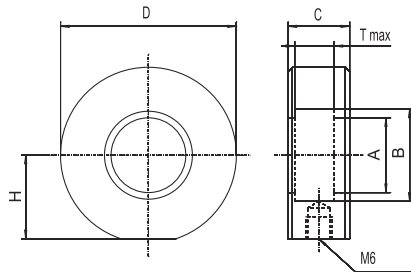
OMLM Fixed Lens Mount, from 13mm to 100mm Diameter.



Model Sheet:

Model	Diameter B (mm)	Aperture A (mm)	Thickness C (mm)	Optic Thickness T (mm)	Width D (mm)	Center Height H (mm)	Screw (mm)
OMLM10	10	7	12	6	30	14	M6
OMLM13	12.7/13	9.5	14	8	33	15.5	M6
OMLM15	15	12	14	8	35	16.5	M6
OMLM20	20	17	14	8	40	19	M6
OMLM25	25	22	14	8	45	21.5	M6
OMLM25.4	25.4	21.5	12	7	45	22	M6
OMLM26	26	22	14	8	45	21.5	M6
OMLM30	30	26	14	8	50	24	M6
OMLM35	35	31	18	12	55	26.5	M6
OMLM38	38/38.1	34	18	12	60	29	M6
OMLM40	40	36	18	12	60	29	M6
OMLM50	50	45	18	12	70	34	M6
OMLM51	50.8/51	46	18	12	70	34	M6
OMLM60	60	55	22	16	80	39	M6
OMLM76	76/76.2	71	22	16	100	49	M6
OMLM80	80	74	22	16	100	49	M6
OMLM100	100	95	25	16	120	59	M6

Drawing::



Accessories:



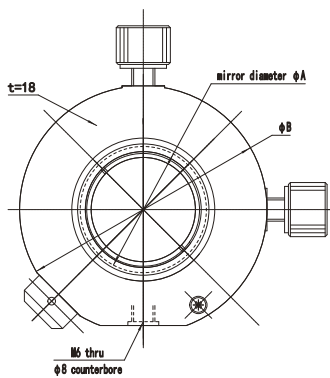
OMLMxx-XY Fixed Lens Mount, 20mm,25.4mm,30mm,40mm,50mm,60mm Diameter.



Model Sheet:

Model	OMLM 20-XY	OMLM 25.4-XY	OMLM 30-XY	OMLM 40-XY	OMLM 50-XY	OMLM 50.8-XY
Optic Diameter A	20	25.4	30	40	50	50.8
Thickness (mm)	12	12	12	14	14	14
Adjustable Range (mm)	±2	±2	±2	±3	±3	±3
Pitch (mm)	0.5					
Diameter of outside circle	64	64	64	84	84	84
	M6					

Drawing::



Customize Products:

OMLM60-XY	(Diameter60mm, Trave±3mm)
DZOMLM150-XY	(Diameter150mm, Trave±3mm)
DZOMLM200-XY	(Diameter200mm, Trave±3mm)

Please contact us freely if you have any requirement

Accessories:



OMLS Self-Centering Lens Mount, 50-102 mm Diameter.



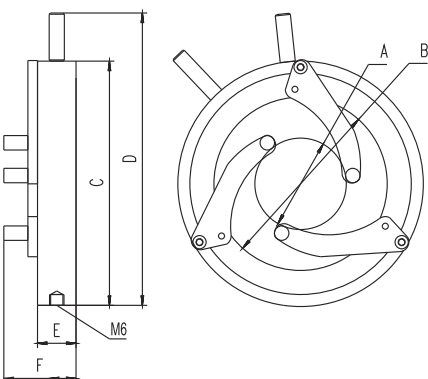
Details&Spec:

Three points of the co-axis lens mounts open simultaneously ,spring resert automatically ,the lens center unchanged whn change the different lens,can use differnent lens.if the lens is light please take it .

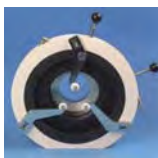
Model Sheet:

Model	Diameter (mm)	Aperture Diameter (mm)	Outer Diameter (mm)	Height (mm)	Mount Thickness (mm)	Thickness (mm)	Weight (Kg)	Screw (mm)
OMLS50-1	5~50	46	70	90	11	19	0.15	M6
OMLS76-1	5~76	72	102	126	16	30	0.2	M6
OMLS102-1	5~102	100	140	160	16	30	0.3	M6

Drawing::



Customize Products:



OMLS50-2A	Diameter50mm, Yaw、Pitch, Trave±3°)
OMLS76-2A	Diameter76mm, Yaw、Pitch, Trave±3°)
OMLS130-1	Filter Mount (Diameter130mm)

Accessories:



OMLH-1 Universal Fixed Lens Mount, 50-100 mm Diameter



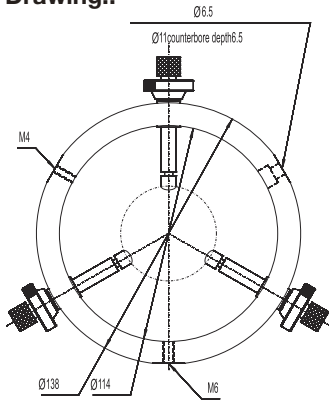
Details&Spec:

- Adopting stainless steel,adjustment steel holders hold the lens,stable,high load,coarse-fine tuning design can load and unload lens and protect lens quickly .unqiue and reliable lock tight device.v-shapped clamper of the top of the clamping can be rotate freely ,adjusted conveniently ,clamping lens of different thickness or cylindetr,strong applicable.
- Holding Diameter: 50mm ~ 100mm
- Weight: 0.4kg

Accessories:



Drawing::



OMLH-2/3/4 Variable Lens Holder, 100mm Max Diameter



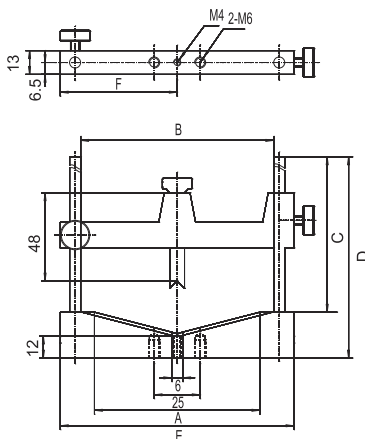
Details&Spec:

Adopting elastic type gripping lens,stainless steel drive,loading and unloading easy, solid gripping. Chuck V-PTFE to protect the lens, and 360 ° rotation, with V-shaped base may be holding a variety of lenses or the thickness of the cylinder.

Model Sheet:

Model	Optic Diameter (mm)	Max Optic WidthB (mm)	Width of V Groove A (mm)	Post Width C (mm)	HeightD (mm)	Width E (mm)	Weight (Kg)	Screw (mm)
OMLH-2	10 ~ 100	105	90	126	151	127	0.25	M4、M6
OMLH-3	5 ~ 75	80	65	106	128	102	0.20	M4、M6
OMLH-4	5 ~ 50	54	42	80	100	76	0.15	M4、M6

Drawing::



Accessories:



OMLH-Z/Z10 Adjustable Cylindrical Lens Mount, 65mm Max Optic, 10mm Max Thickness



Details&Spec:

Suitable for our OLBC series plain convex and concave cylinder lens mounts or OLBCY series plain convex and concave prisms, gripping other square optical parts,, can be two dimensional adjustment of pitch and yaw

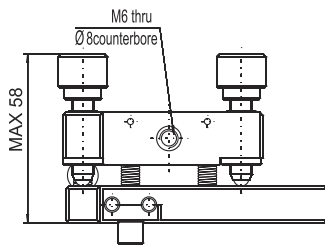
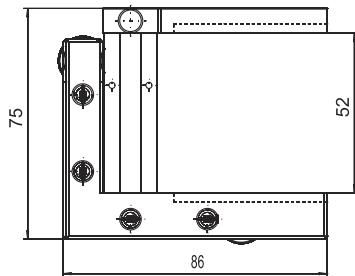
OMLH-Z	OMLH-Z10
Holding height:2-54mm;	Holding height:2-65mm;
Holding edge thickness:1-6mm;	Holding edge thickness:1-10mm;

Model Sheet:

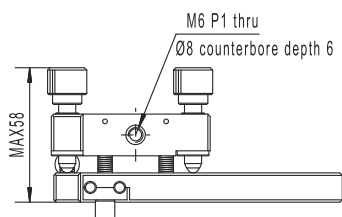
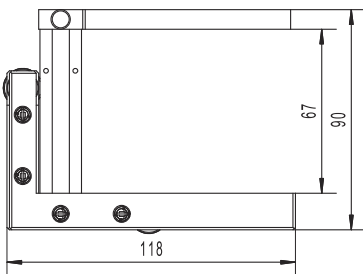
Model	Width (mm)	Optic Thickness (mm)	Pitch Adjustment Range (°)	Yaw Adjustment Range (°)	Screw (mm)
OMLH-Z	2 ~ 54	1 ~ 6	±3	±3	M6
OMLH-Z10	2 ~ 65	1 ~ 10	±3	±3	φ 8Counterbore

Drawing:

OMLH-Z ▼



OMLH-Z10 ▼



Customize Products :



OMLH120	Width112 ~ 120mm, Any width and min thickness is ≥9mm
OMLH120-160	Width112 ~ 120mm, 160mm, Thickness ≥14mm

Accessories:



Accessories

OMUS ULTRA-High Stability Optical Mount

Beam Steers

Polarizer mounts

Fiber Mounts

Lens Mounts

Special Lens mounts

Prism Mounts

Laser Mounts

Slit

Fiber Coupler Mounts

Accessories

Post&Holder

LM Optical Mounts for Industry

LM Optical Mounts for Industry

Special Lens Mounts

OMHS/OMRS Lens Mount

2-Axes

3-Axes



Model Sheet:

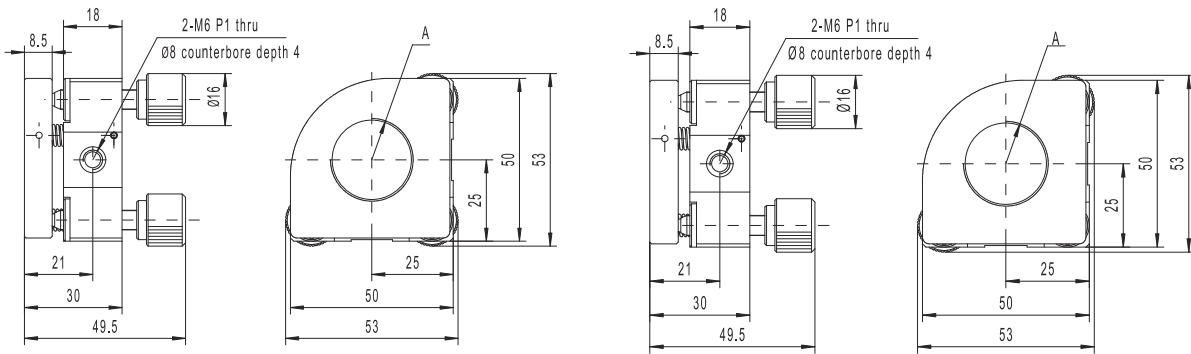
Model	Name	Connector Size A (mm)	Adjustment Angle (°)	Travel Tx (mm)	Screw (mm)
OMHS-LBE22	3D Laser Beam Expander Mount	M22 × 0.75	±3	6	M6, Counterbore φ8
OMHS-WJ	3D Objective Mount	4/5" -1/36	±3	6	
OMHS-CMount	3D C mount	1" -1/32	±3	6	
OMRS-LBE22	2D Laser Beam Expander Mount	M22 × 0.75	±3	-	
OMRS-WJ	2D Objective Mount	4/5" -1/36	±3	-	
OMRS-CMount	2D C mount	1" -1/32	±3	-	

Accessories:



Accessories

Drawing::



APFP-XY/APFP-W-XY Lens Mount, 2mm XY Travel



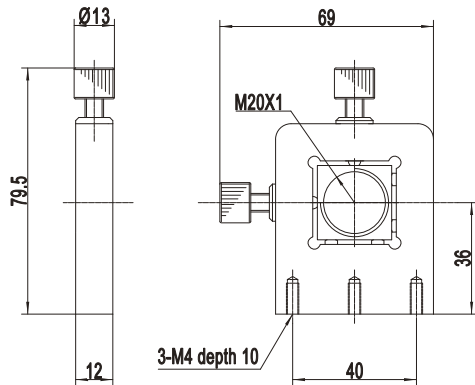
APFP-XY and APFP-W-XY can adjust in vertical and horizontal direction; The screw of APFP-XY is M20X1 and APFP-W-XY is Objective, the size is 4/5"-1/36(M4)

Accessories:

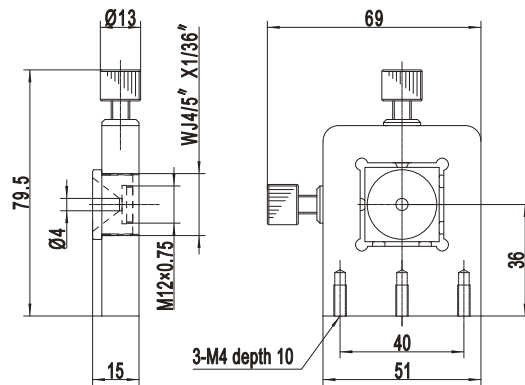


Drawing::

APFP-XY ▼



APFP-W-XY ▼



OMUS ULTRA-High Stability Optical Mount

Beam Steers

Polarizer mounts

Filter Mounts

Lens Mounts

Special Lens mounts

Prism Mounts

Laser Mounts

Slit

Fiber Coupler Mounts

Accessories

Post&Holder

LM Optical Mounts for Industry

Prism Mounts

OMPH-1/2 Prism Mount, 60mm Max Diameter, $\pm 5^\circ$



Details&Spec:

Can be used to two dimensional tilt adjustment ,the fine teeth screw drive,disc spring reset,high precision,excellent stability. flexible clamping device, convenient and reliable. Continuously adjustable height card installed applicability.

Model Sheet:

Model	Height (mm)	Table size (mm)	Adjustable range θ_x, θ_y	Weight	Screw
OMPH-1	60	50×50	± 3	0.2	M6
OMPH-2	30	30×30	± 3	0.18	M6

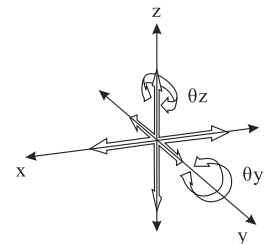
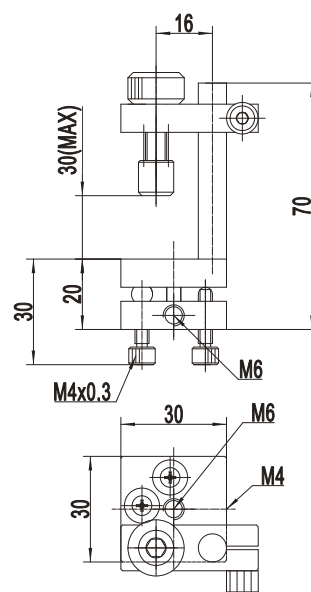
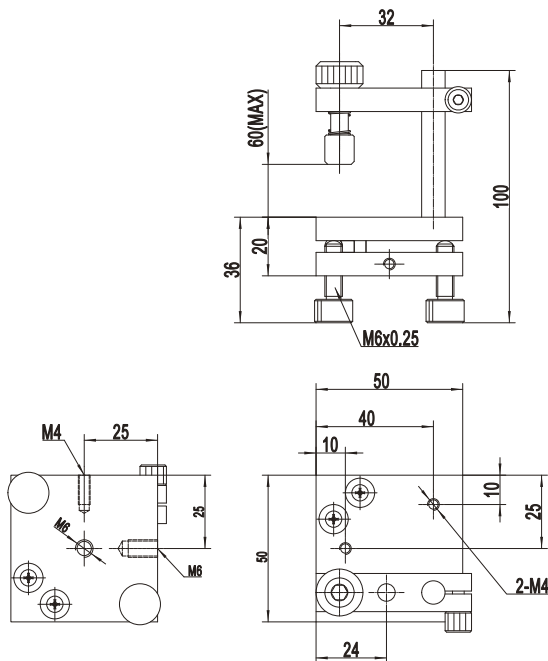
Accessories:



Drawing::

OMPH-1 ▼

OMPH-2 ▼



Laser Mounts

PHLM-1 Cylindrical Laser Mount, 60mm Max Diameter, High-Resolution Adjusters

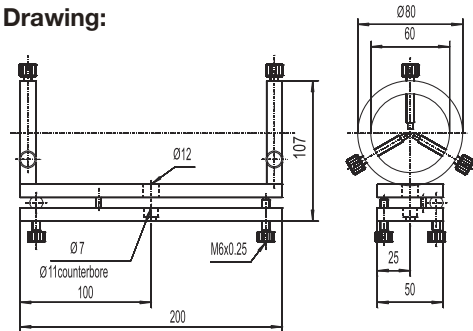


Application for He-Ne-Laser

Details&Spec:

- Diameter : 60mm
- Range : $\theta y, \theta x: \pm 5$ degree
- Weight: 0.8kg

Drawing:



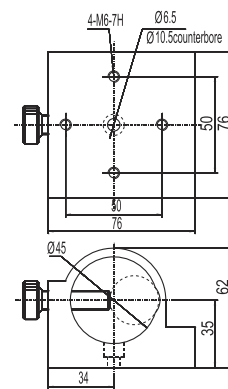
PHLM-2 Cylindrical Laser Mount, 45mm Max Diameter, High-Resolution Adjusters



Details&Spec:

- Diameter: 45mm (MAX)
- Weight: 0.4Kg

Drawing:



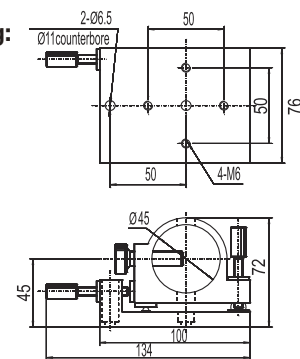
PHLM-3 Cylindrical Laser Mount, 45mm Max Diameter, $\pm 5^\circ$ Adjustment Range



Details&Spec:

- chucking diameter: 45mm (MAX)
- adjustment range: $\theta y, \theta z: \pm 5^\circ$
- Weight: 0.65kg

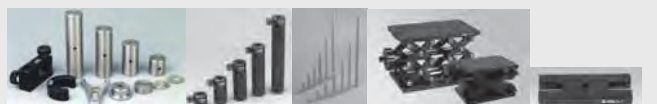
Drawing:



Accessories:



He-Ne-Laser



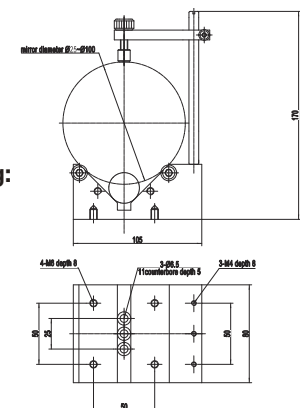
Accessories

OMPH-3 V-Block, 100mm Diameter



- V-Block, 100mm Diameter
- In optical experiments, for the holding of different diameter and different thickness of the cylindrical lens, the diameter range of 50mm-100mm, locking hand wheel is equipped with a spring pressed, lens clamping stability, loading and unloading easy.

Drawing:



APAS80-1T/APAS80-1A Adjustable Slit



Specification:

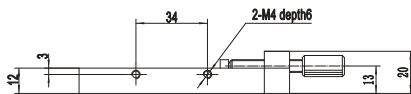
- Width: APAS80-1T 0 ~ 14mm; APAS80-1A 0~13mm
- Height: 80mm
- Weight: 0.3Kg
- Screw: M4 screw

Accessories:

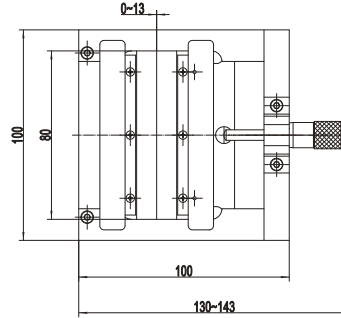
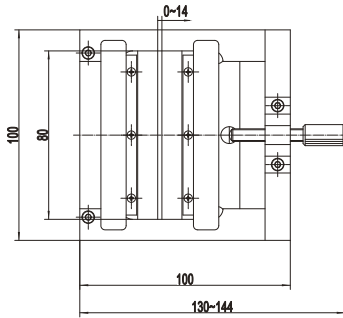
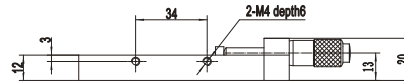


Drawing::

APAS80-1T ▼



APAS80-1A ▼



APID Iris Diaphragms



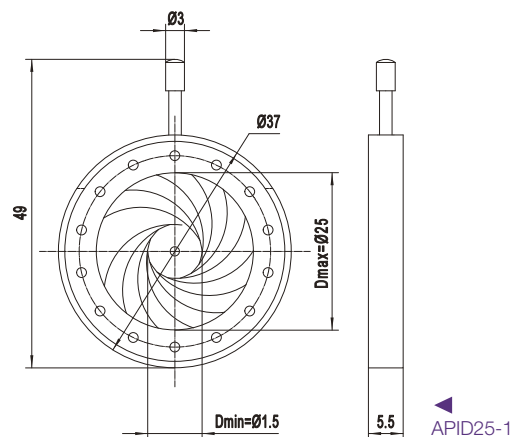
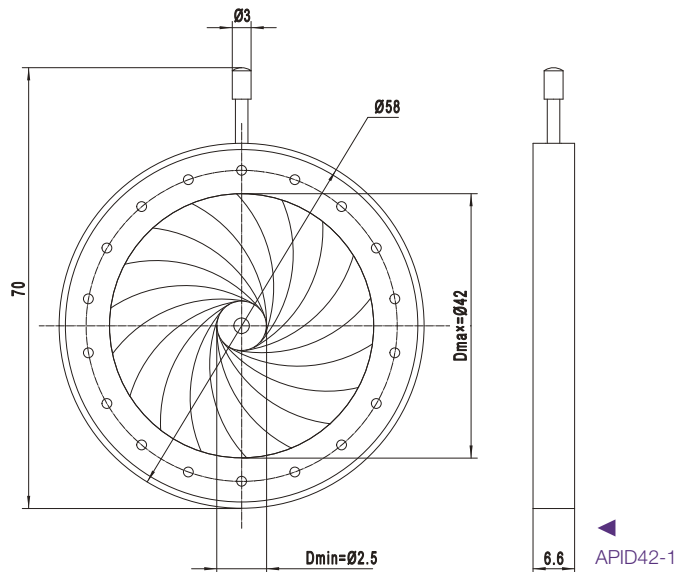
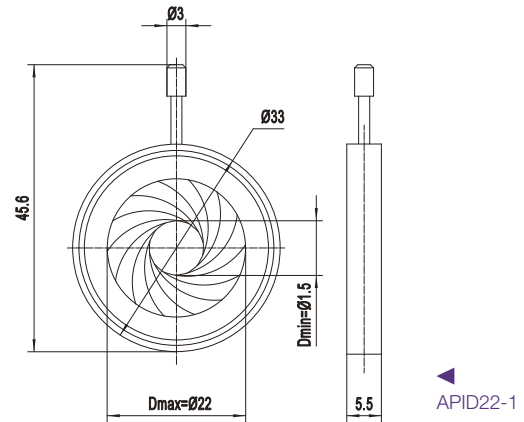
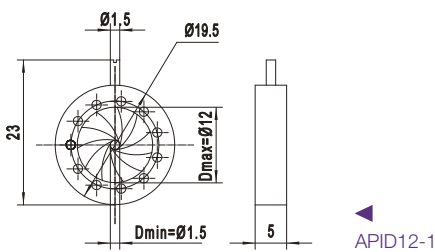
Model Sheet:

Model	APID12-1	APID22-1	APID25-1	APID42-1
Aperture Range (mm)	1.5 ~ 12	1.5 ~ 22	1.5 ~ 25	2.5 ~ 42
Leaves Qty	11	14	13	18
Outer Size (mm)	19.5	33	37	58
Thickness (mm)	5	5.5	5.5	6.6
GD Base Model	APID12-GD	APID22-GD	APID25-GD	APID42-GD
GD Base Screw	M4	M6	M6	M6
AGD Base Model	APID12-AGD	APID22-AGD	APID25-AGD	APID42-AGD
AGD Base Screw	M4	M6	M6	M6

Accessories:



Drawing:



Optical Mounts — Slit

OMUS uLTRA-High
Stability Optical Mount

Beam Steers

Polarizer mounts

Filter Mounts

Lens Mounts

Special Lens
mounts

Prism Mounts

Laser Mounts

Slit

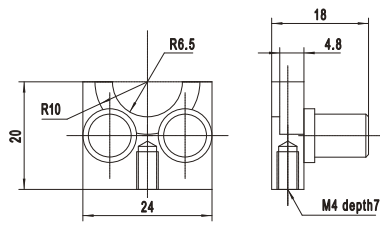
Fiber Coupler
Mounts

Accessories

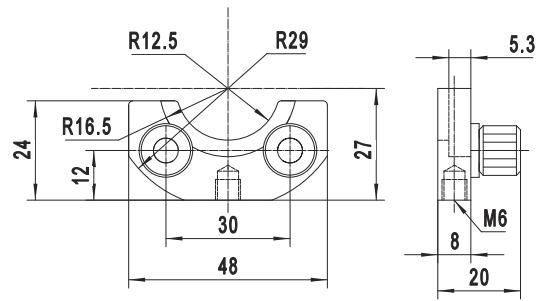
Post&Holder

LM Optical Mounts
for Industry

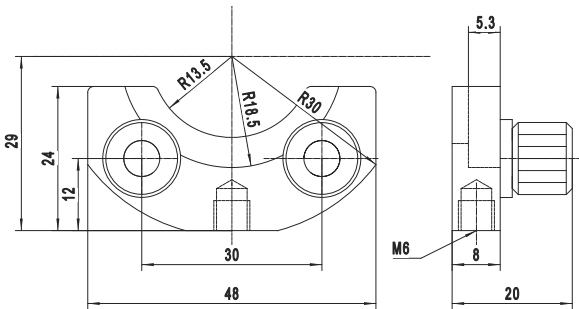
APID12-GD ▼



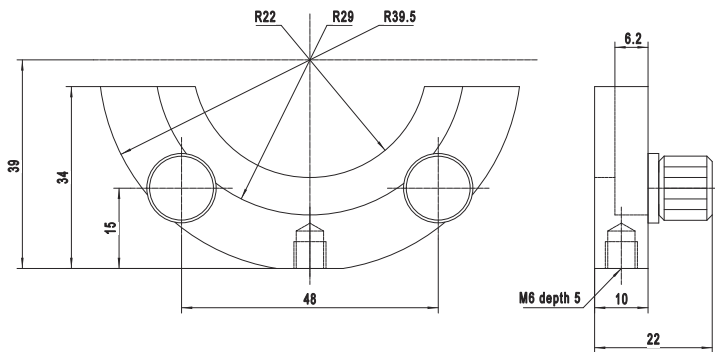
APID22-GD ▼



APID25-GD ▼



APID42-GD ▼



Pinhole Diaphragm&Mount(APPH-GD)



APSF13

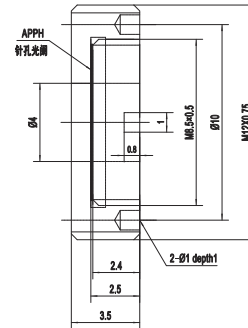
Outer diameter: 8mm, Thickness: 0.1mm;

Model Sheet:

0.003mm	0.004mm	0.005mm	0.01mm	0.015mm	0.02mm	0.025mm	0.03mm	0.035mm
0.04mm	0.045mm	0.05mm	0.055mm	0.06mm	0.065mm	0.07mm	0.075mm	0.08mm
0.085mm	0.09mm	0.1mm	0.11mm	0.12mm	0.15mm	0.2mm		

Outer screw of Mount is M12X0.75

Drawing:



APSF13-1AT Spatial Filter

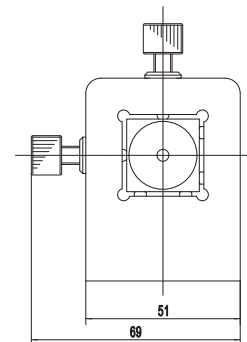
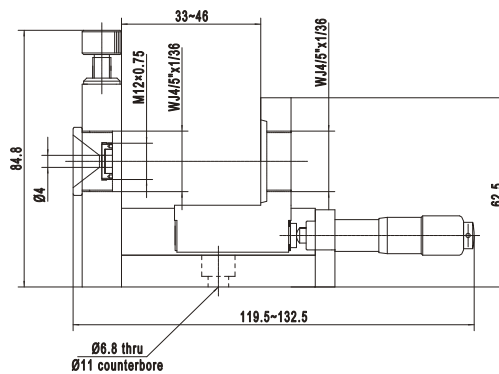


Accessories:



Specification:

- Objective range: 13mm
- Min Scale: 0.01mm
- Pinhole Range: ± 1.5 mm
- Weight: 0.4Kg
- Screw: $\phi 6.8$ Counterbore $\phi 11$



Fiber Coupler Mounts

APFC-1T/2T/3AT Lens Fiber Coupler, Bare Fibers



APFC-1T ▲



APFC-2T ▲



APFC-3AT ▲

Model Sheet:

Model		APFC-1T	APFC-2T	APFC-3AT
Fiber adjustment	Forth&Back Tx (mm)	6	6	6
	Left&Right Ty (mm)	±2	±2	±2
	上下Tz (mm)	±2	±2	±2
	Pitch θ_y (°)	±4	±4	±4
	Yaw θ_z (°)	±4	±4	±4
Install Objective		No	Yes	Yes
Objective Adjustable Range (mm)		-	-	13
Install Pinhole Diaphragm		No	No	Yes
Pinhole Diagram Range (mm)		-	-	±2
Integrated Adjustment		No	No	Yes
Range	Pitch θ_y (°)	-	-	±4
	Yaw θ_z (°)	-	-	±4
Screw		M4	φ 6.5 Counterbore φ 10.5	φ 6.5 Counterbore φ 11

Accessories:

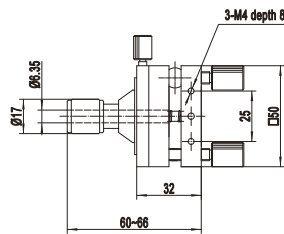


Application:

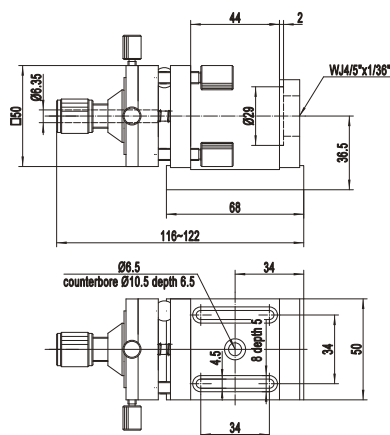


Drawing:

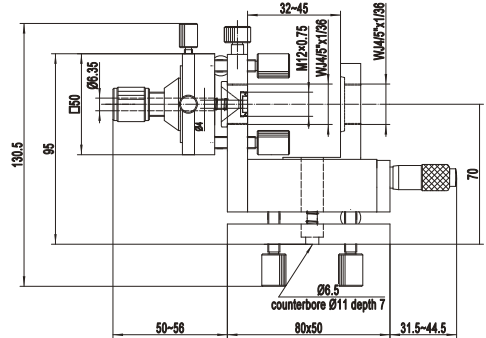
APFC-1T ▼



APFC-2T ▼



APFC-3AT ▼



Accessories

High Precision Small Knob /Hex Adjustment Screw, 6 -50mm Travel, Lockable



Specification:

Micrometer pitch is 0.5mm, Screw pitch is 0.25mm;

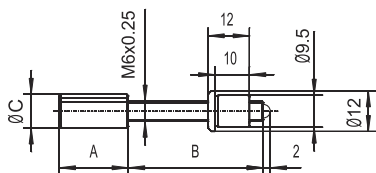
The installation diameter of screw is 9.5mm, this diameter of micrometer is the same with screw, both screw is M6X0.25

Model Sheet:

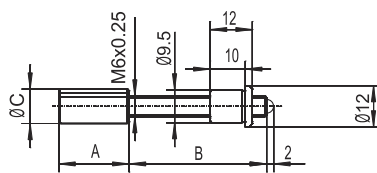
Model	Travel (mm)	Length of hand wheel A (mm)	Screw Length B (mm)	Diameter of hand wheel C (mm)	Type
ACFS06-1	6		20		Slotted
ACFS06-2	6		20		Allen Key
ACFS06-1A	6	10	20	13	Allen Key
ACFS06-2A	6	10	20	13	Screw
ACFS13-1	13	10	27	13	Screw
ACFS13-2	13	10	27	13	Screw
ACFS13-1S	13	10	27	13	Screw
ACFS13-2S	13	10	27	13	Screw
ACFS25-1	25	20	39	13	Screw
ACFS25-2	25	20	39	13	Screw
ACFS25-1S	25	20	39	13	Screw
ACFS25-2S	25	20	39	13	Screw
ACFS50-1	50	20	64	13	Screw
ACFS50-2	50	20	64	13	Screw
ACFS50-3	50	20	64	13	Screw
ACSF-N100-0.35	8.9	18	30	16	Screw
ACSF-N100-0.5	12.7	18	34	16	Screw
ACFS-OMHS-1	8	15	24	16	Screw
ACFS-OMHS-2	10	15	29	16	Screw
ACFS-OMHS-3	13		33		Slotted

Drawing:

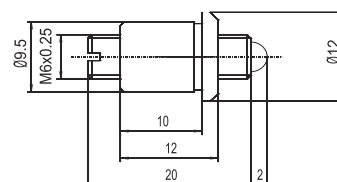
ACFSxx-1 ▼



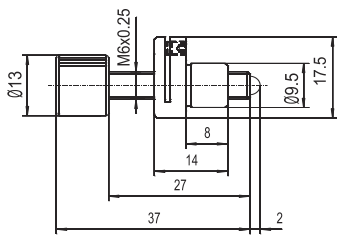
ACFSxx-2 ▼



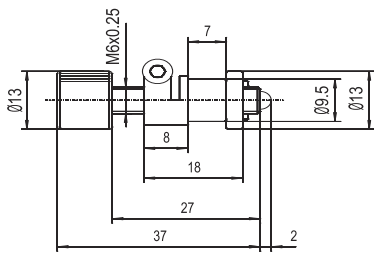
ACFS06-1 ▼



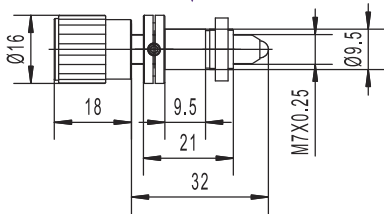
ACFS13-1S



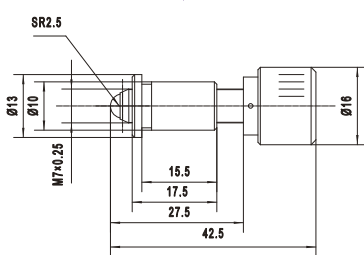
ACFS13-2S



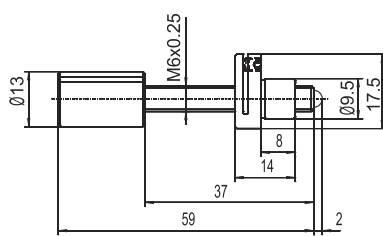
ACSF-N100-0.35



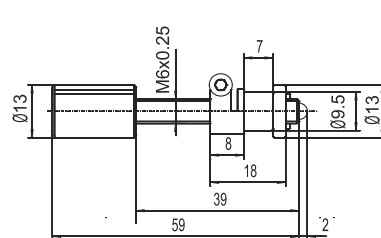
ACFS-OMHS-1



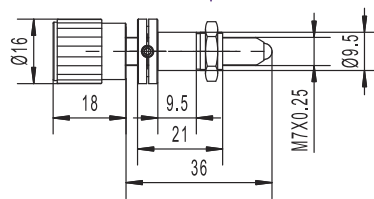
ACFS25-1S



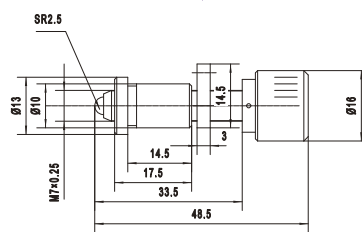
ACFS25-2S



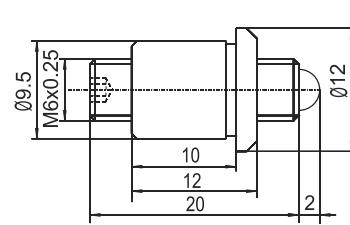
ACSF-N100-0.5



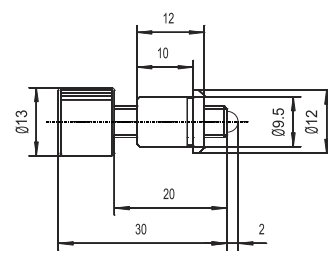
ACFS-OMHS-2



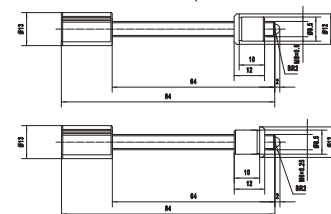
ACFS06-2



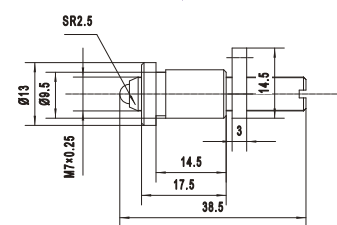
ACFS06-2A



ACFS50-2/3



ACFS-OMHS-3



ACSM Standard Resolution Micrometer, 6-25 mm Travel.



Details&Spec:

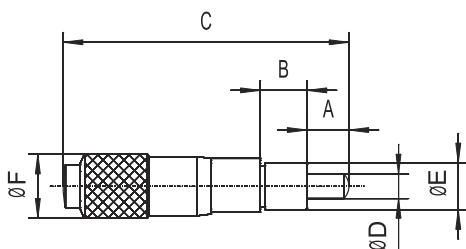
This below micrometer suitable for quantitative adjustment ,high accuracy ,comfort,durable.other models please contact us

Min scale is 0.01mm,sensitivity 0.001mm

Model Sheet:

Model	Contact area	Travel (mm)	MinA (mm)	MaxA (mm)	B (mm)	C (mm)	D (mm)	E (mm)	F (mm)
ACSM06-1	Circle	6	5.8	11.8	15.6	49.6	5	9.5	13
ACSM13-1	Circle	13	4	17	10	58.5	5	9.5	13
ACSM13-2	Flush	13	4	17	10	58.5	5	9.5	13
ACSM25-1	Flush	25	5	30	16.5	101	6.5	11	18
ACSM25-2	Circle	25	4	29	16.5	101	6.5	11	18
ACSM25-SM	Flush-small size	25	1	26	9.5	79	5	9.5	13.2

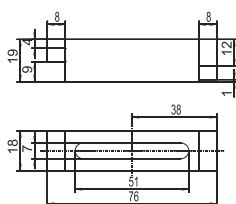
Drawing:



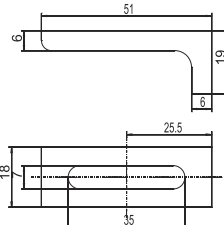
ACCA/ACCF Clamping Fork



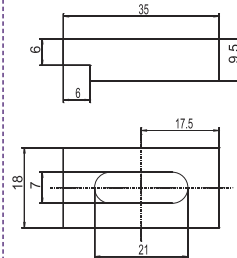
ACCF-1 ▼



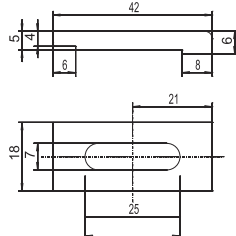
ACCF-2 ▼



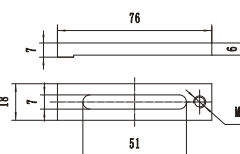
ACCF-3 ▼



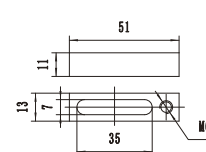
ACCF-4 ▼



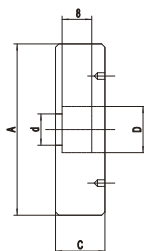
ACCA-1 ▼



ACCA-2 ▼



ACOA Retaining Rings, Optical Mount Adaptor, 13 to 40 mm



Model	A (mm)	C (mm)	D (mm)	d (mm)
ACOA13-1	M52X1	15	φ 13	φ 9.5
ACOA13-2	φ 50.8	15	φ 13	φ 11
ACOA13-3	φ 40	15	φ 13	φ 11
ACOA20-1	M52X1	15	φ 20	φ 17
ACOA20-2	φ 50.8	15	φ 20	φ 18
ACOA20-3	φ 40	15	φ 20	φ 18
ACOA25.4-1	M52X1	15	φ 26	φ 22
ACOA25.4-2	φ 50.8	15	φ 26	φ 23.5
ACOA25.4-3	φ 40	15	φ 26	φ 23.5
ACOA30-1	M52X1	15	φ 30	φ 26
ACOA30-2	φ 50.8	15	φ 30	φ 28
ACOA30-3	φ 40	15	φ 30	φ 28
ACOA40-1	M52X1	15	φ 40	φ 38
ACOA40-2	φ 50.8	15	φ 40	φ 38

ACS Double-Ended Set Screws Double-Ended Set Screws, M4/M6 Thread



Model	Name	Note
ACS-M4-M4	M4-M4	ModelACCS-2A
ACS-M6-M6	M6-M6	ModelACCS-2B
ACS-M6-M4	M6-M4	ModelACCS-3
ACS-F6-F4	F6-F4	new model
ACS-F6-F6.35	F6-F6.35 (1/4")	new model
ACSF-M6-M4	M6-M4	ModelACCS-1A
ACSF-M6-M6	M6-M6	ModelACCS-1B
ACSF-M4-M4	M4-M4	new model
ACSF-M6-M6.35	M6-M6.35 (1/4")	ModelACCS-6-6.35
ACSF-M9.525-M6.35	M9.525 (3/8")-M6.35 (1/4")	new model

SK L-Allen Wrench Set



SB-OM



SB-MU



SB-ST1



SB-ST2



Model Sheet:

Model	Name	Note
SK	Screw Box	M3 Screw (8/10/12 15PCS) M4 Screw (10/12/16 15PCS) M6 Screw (8/10/12/16/20 15PCS) M3/M4/M6 Retaining Ring 15PCS M4 Double Nipple (ModelACS-M4-M4)15PCS M6 Double Nipple (ModelACS-M6-M6)15PCS
SK-E	Inch Screw Box	Allen Screw: #6-32×L (L=1/4; 1/2; 3/4; 1) 15PCS #8-32×L (L=1/4; 1/2; 3/4; 1; 1-1/2) 15PCS #10-24×L (L=1/4; 1/2; 3/4; 1; 1-1/2) 15PCS 1/4-20×L (L=1/4; 1/2; 3/4; 1; 1-1/2) 15PCS Inch Nut: (#6-32)/ (#8-32)/ (#10-24)/ (1/4-20) 15PCS
SB-1	Wrench	1.5、2、2.5、3、4、5
SB-2	Metric Large Wrench	1.5、2、2.5、3、4、5、6、8、10
SB-E	Inch Wrench	1/16、5/64、3/32、7/64、1/8、9/64、5/32、3/16、7/32、1/4、5/16、3/8
SB-OM	Ring Wrench	Aperture Range 2~100mm Slotted

OMUS ULTRA-High Stability Optical Mount

Beam Steers

Polarizer mounts

Filter Mounts

Lens Mounts

Special Lens mounts

Prism Mounts

Laser Mounts

Slit

Fiber Coupler Mounts

Accessories

Post&Holder

LM Optical Mounts for Industry

BP Bases

OMUS uLTRA-High
Stability Optical Mount

Beam Steers

Polarizer mounts

Filter Mounts

Lens Mounts

Special Lens
mounts

Prism Mounts

Laser Mounts

Slit

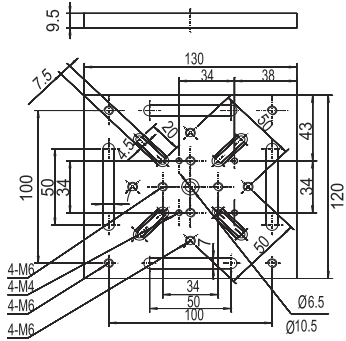
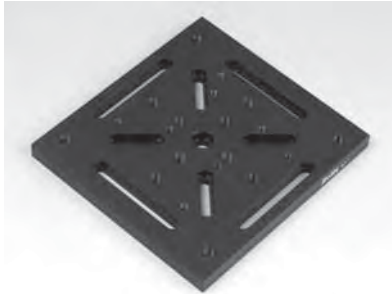
Fiber Coupler
Mounts

Accessories

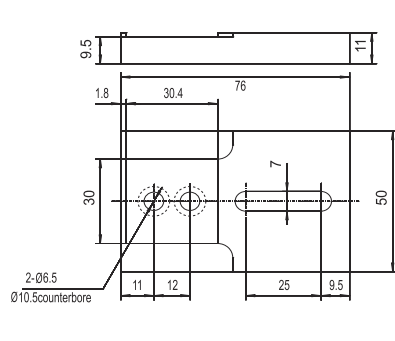
Post&Holder

LM Optical Mounts
for Industry

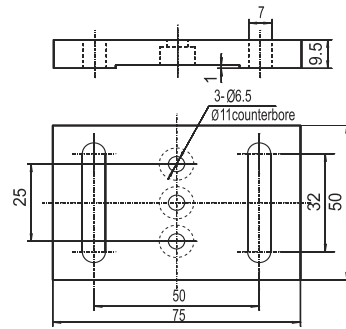
BP-1 ▼



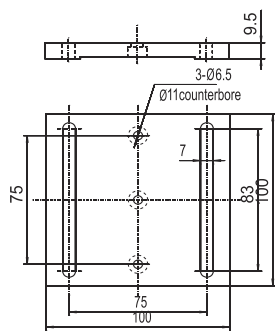
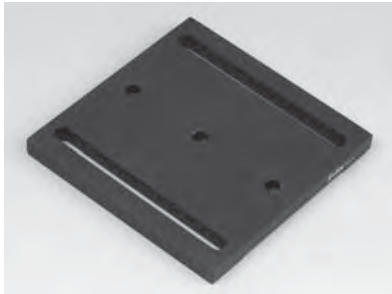
BP-2 ▼



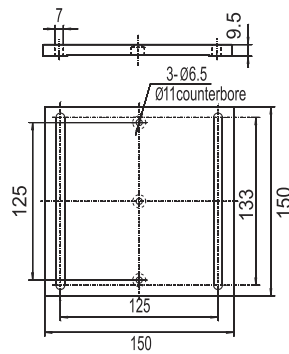
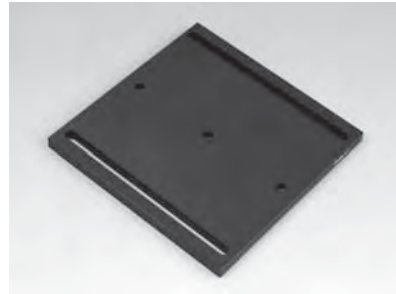
BP-3 ▼



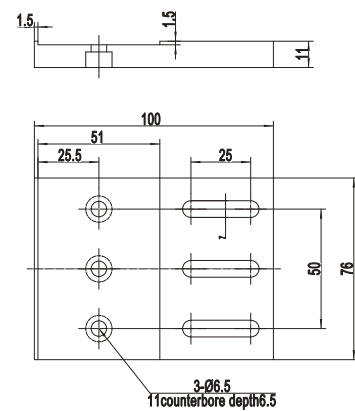
BP-4 ▼



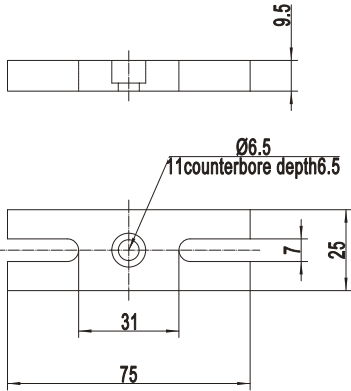
BP-5 ▼



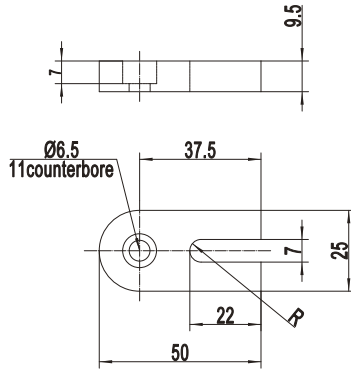
BP-6 ▼



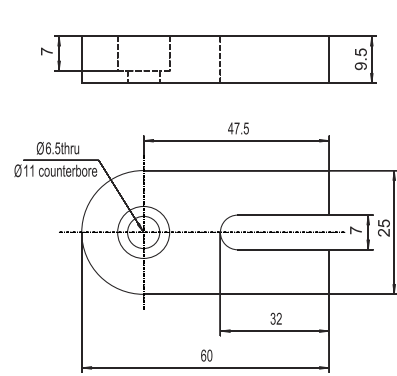
BP-7 ▼



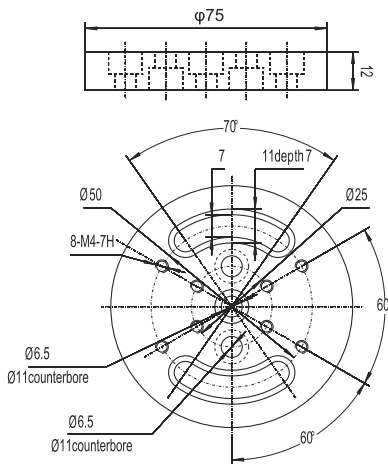
BP-8 ▼



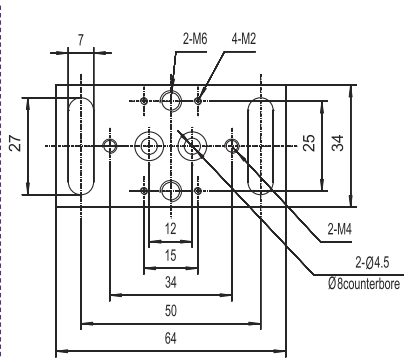
BP-8A ▼



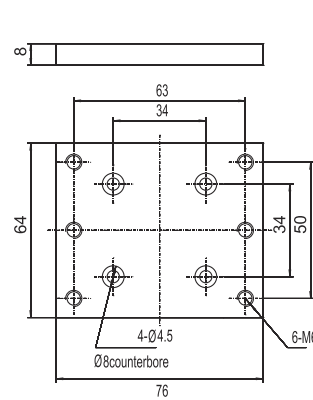
BP-9 ▼



BP-10 ▼



BP-11 ▼



OMUS ULTRA-High Stability Optical Mount

Beam Steers

Polarizer mounts

Filter Mounts

Lens Mounts

Special Lens mounts

Prism Mounts

Laser Mounts

Slit

Fiber Coupler Mounts

Accessories

Post&Holder

LM Optical Mounts for Industry

Optical Mounts — Accessories

OMUS uLTRA-High Stability Optical Mount

Beam Steers

Polarizer mounts

Filter Mounts

Lens Mounts

Special Lens mounts

Prism Mounts

Laser Mounts

Slit

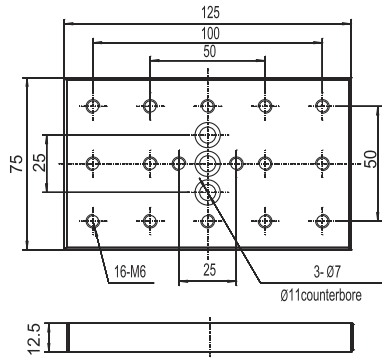
Fiber Coupler Mounts

Accessories

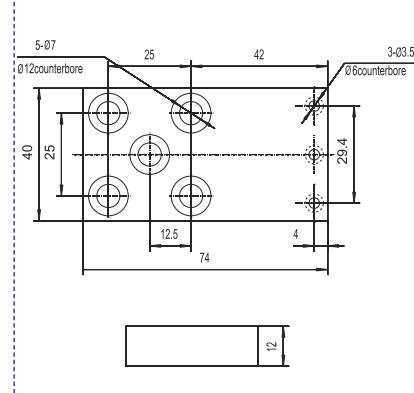
Post&Holder

LM Optical Mounts for Industry

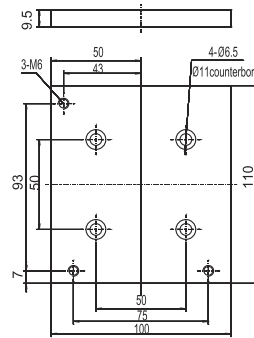
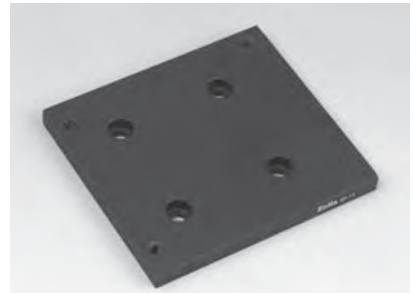
BP-12



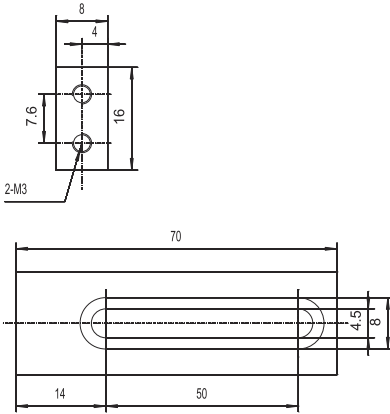
BP-13



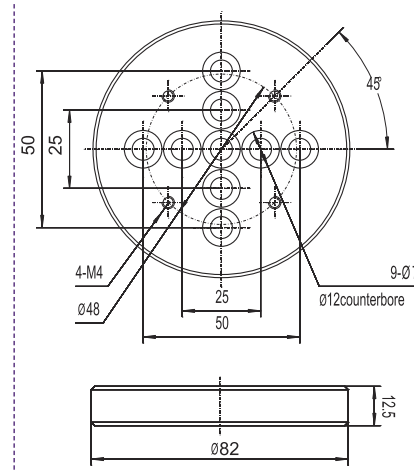
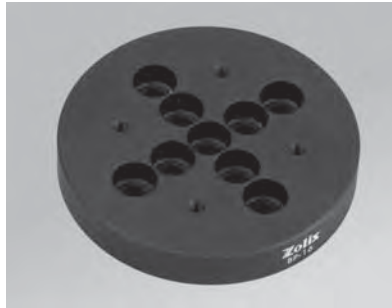
BP-14



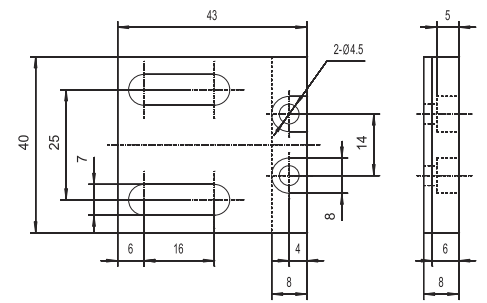
BP-15



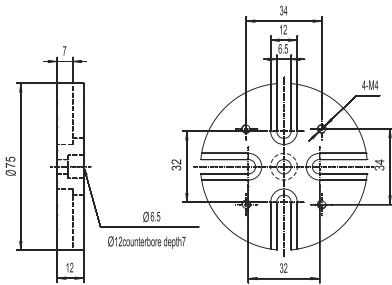
BP-16



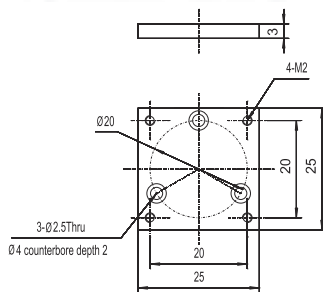
BP-17



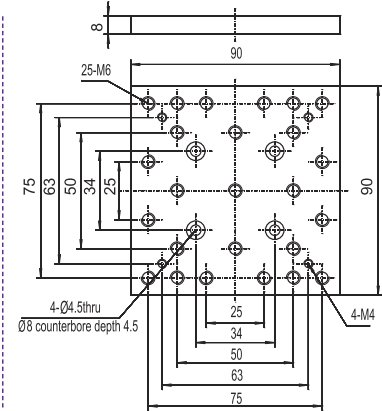
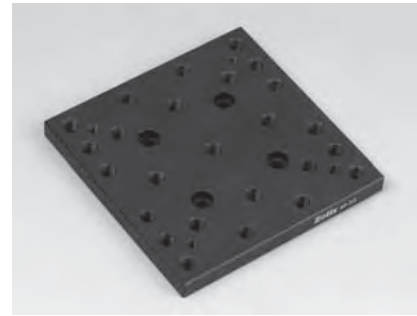
BP-18



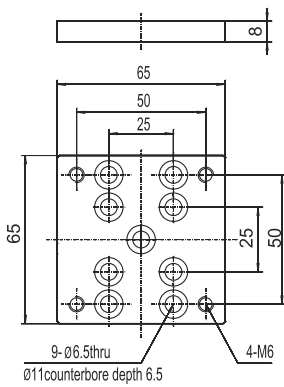
BP-19



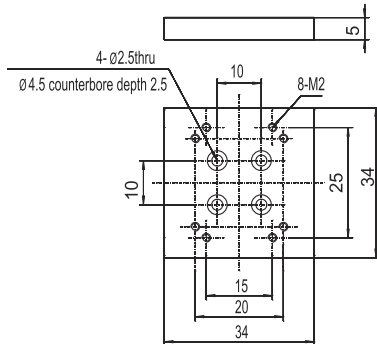
BP-20



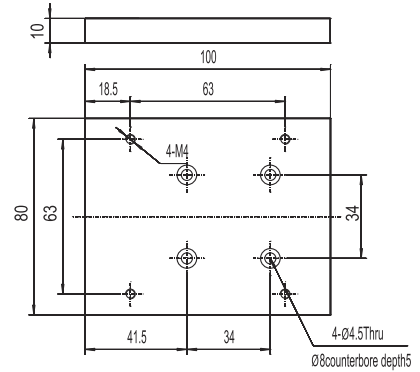
BP-21



BP-22



BP-23



Optical Mounts — Accessories

OMUS uLTRA-High Stability Optical Mount

Beam Steers

Polarizer mounts

Filter Mounts

Lens Mounts

Special Lens mounts

Prism Mounts

Laser Mounts

Slit

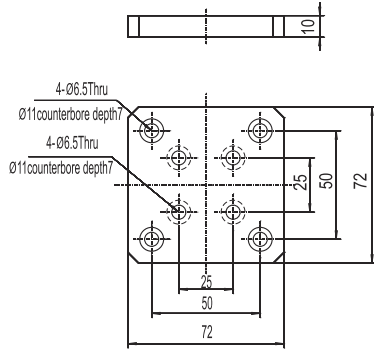
Fiber Coupler Mounts

Accessories

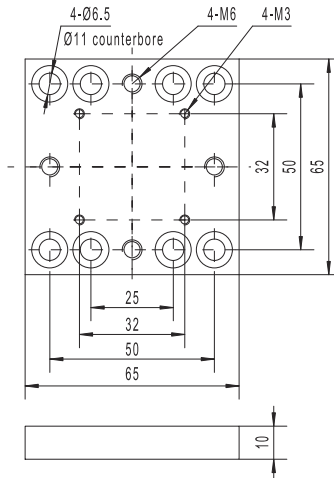
Post&Holder

LM Optical Mounts for Industry

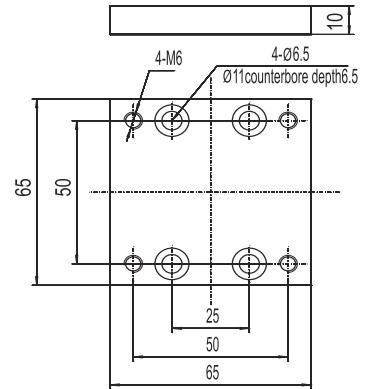
BP-24



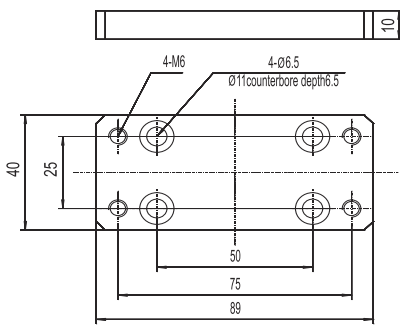
BP-25



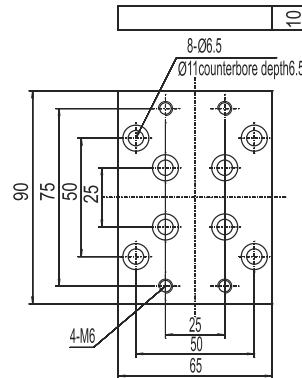
BP-26



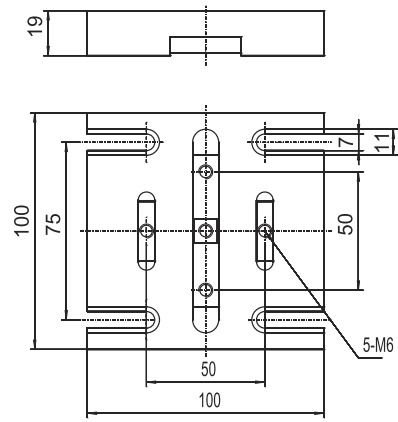
BP-27



BP-28

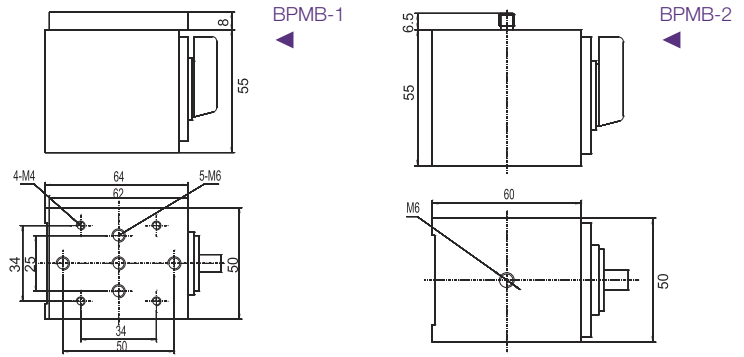


BPRB-1

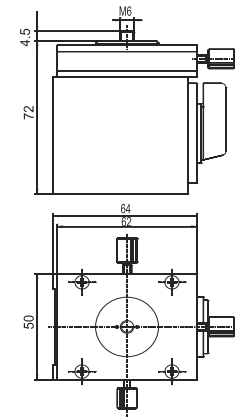


Optical Mounts — Accessories

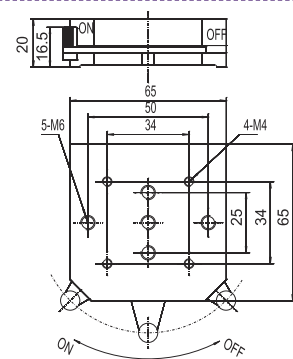
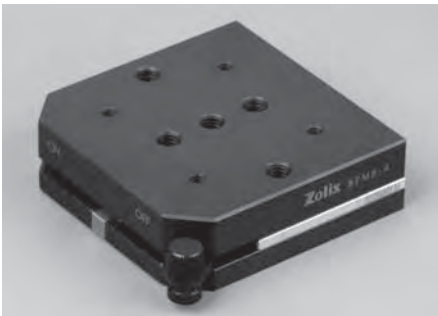
BPMB-1/BPMB-2 Standard Magnetic Base, M6 Thread



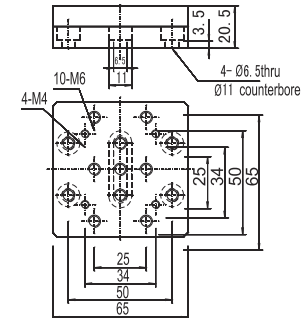
BPMB-3 Kinematic Magnetic Base, M6 Thread



BPMB-4 Ultra-thin Magnetic Base, M6 Thread



BPMB-2 Resettable Magnetic Base, M6 Thread



OMUS ULTRA-High Stability Optical Mount

Beam Steers

Polarizer mounts

Filter Mounts

Lens Mounts

Special Lens mounts

Prism Mounts

Laser Mounts

Slit

Fiber Coupler Mounts

Accessories

Post&Holder

LM Optical Mounts for Industry

PHOB系列直角固定块

PHOB-1 ▼

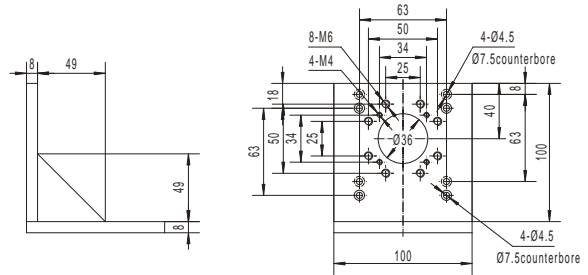
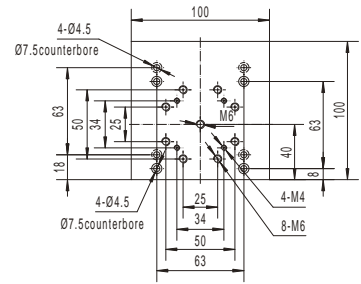


Accessories:



TSM25-2 (A)

Weight: 0.45Kg



PHOB-2 ▼

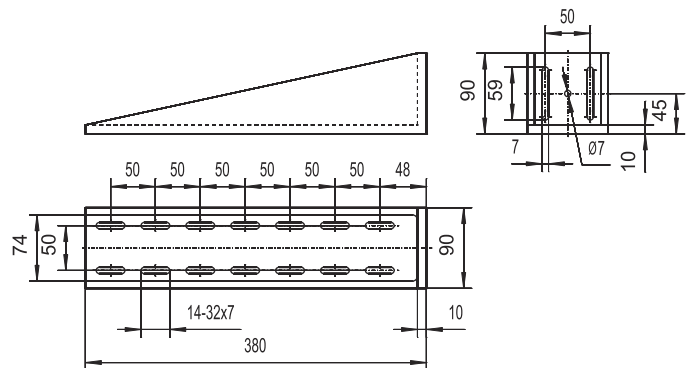


Accessories:



TSA200

Weight: 1.75Kg



PHOB-3 ▼



Accessories:

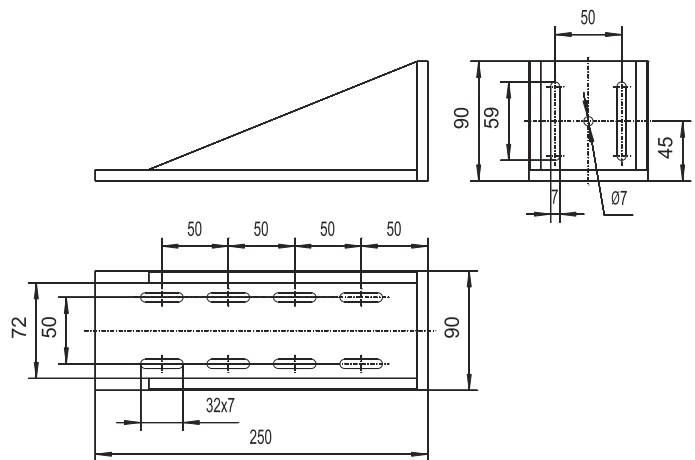


TSA50

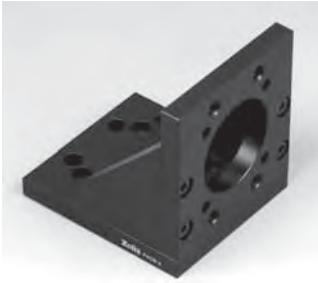
TSA100

TSA150

Weight: 1Kg



PHOB-4 ▼

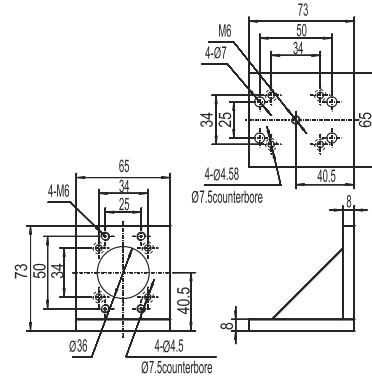


Accessories:



TSM25-1 (A)

Weight: 0.2Kg



PHOB-5 ▼



Accessories:

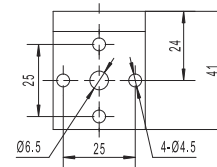
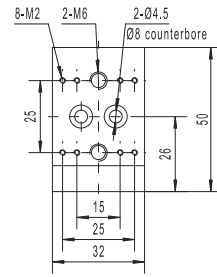


TSM13-1 (A)

TSM13-2 (A)

PSM13 (A)-34

Weight: 0.05Kg



PHOB-6 ▼



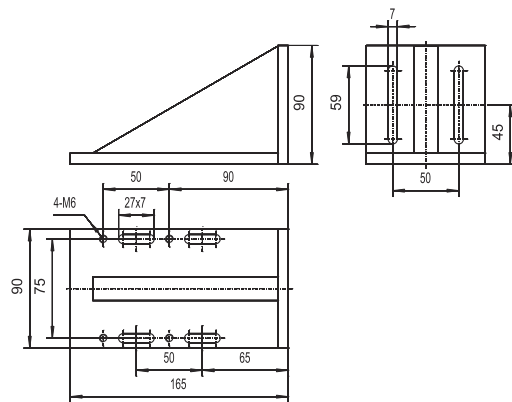
Accessories:



TSA30-C

TSA50-C

Weight: 0.5Kg



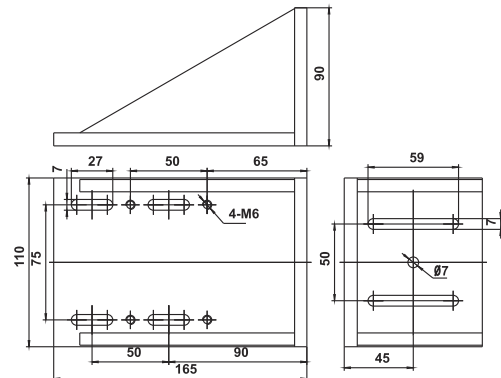
PHOB-7 ▼



Accessories:

TSA30-C

TSA50-C



OMUS ULTRA-High Stability Optical Mount

Beam Steers

Polarizer mounts

Filter Mounts

Lens Mounts

Special Lens mounts

Prism Mounts

Laser Mounts

Slit

Fiber Coupler Mounts

Accessories

Post&Holder

LM Optical Mounts for Industry

OMUS uLTRA-High Stability Optical Mount

Beam Steers

Polarizer mounts

Filter Mounts

Lens Mounts

Special Lens mounts

Prism Mounts

Laser Mounts

Slit

Fiber Coupler Mounts

Accessories

Post&Holder

LM Optical Mounts for Industry

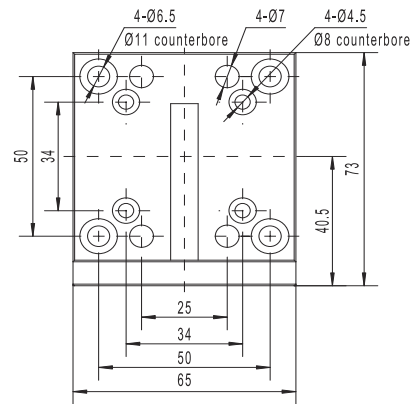
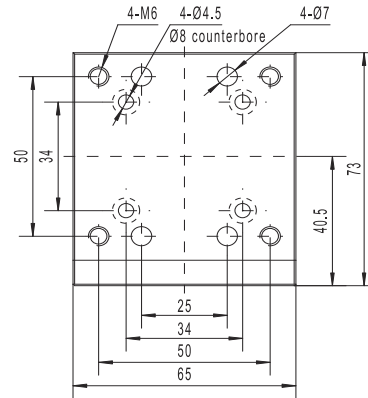
PHOB-8 ▼



Accessories:

PSM25 (A)-65

KSM25 (A)-65

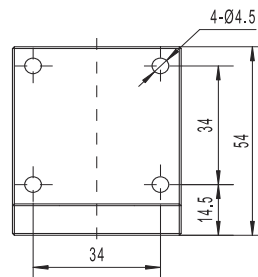
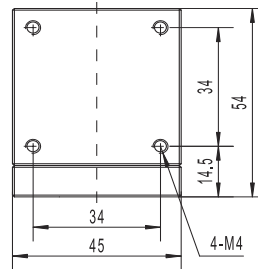


PHOB-9 ▼



Accessories:

PSM25 (A)-45

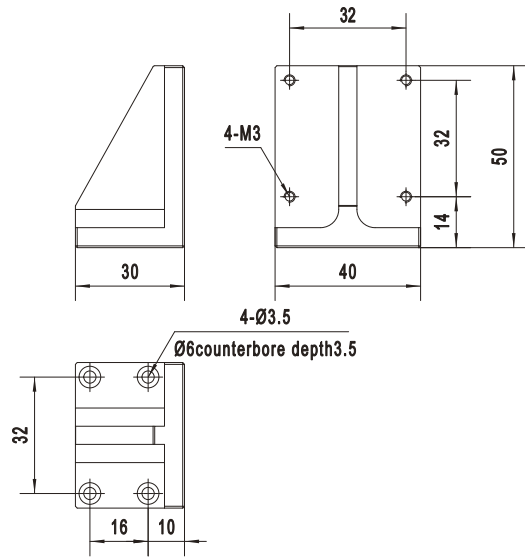


PHOB-10 ▼

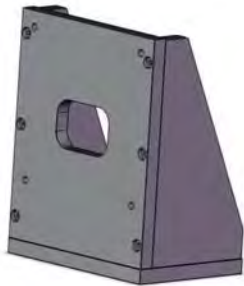


Accessories:

KSM13 (A)-40

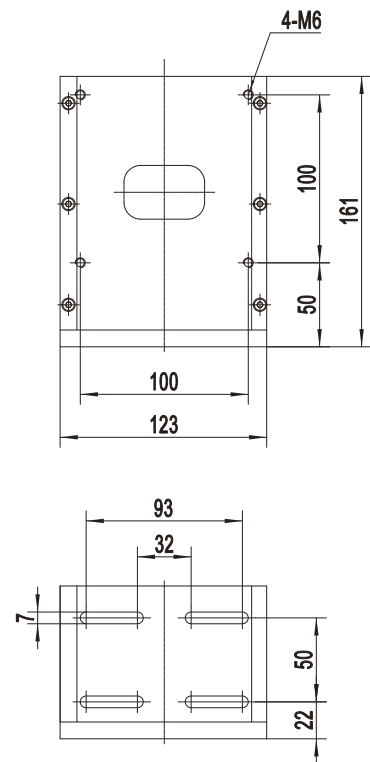


PHOB-11 ▼



Accessories:

RAK100



OMUS ULTRA-High
Stability Optical Mount

Beam Steers

Polarizer mounts

Filter Mounts

Lens Mounts

Special Lens
mounts

Prism Mounts

Laser Mounts

Slit

Fiber Coupler
Mounts

Accessories

Post&Holder

LM Optical Mounts
for Industry

Post&Holder

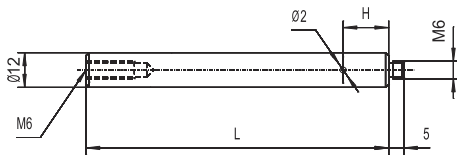
PHSP12 12mm Stainless Steel Optical Mounting Post, 25 to 300mm Height, M4&M6 THD



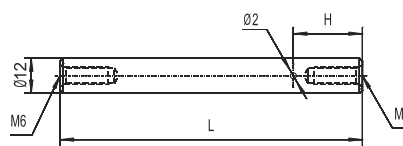
Models	PHSP12-1	PHSP12-2	PHSP12-3	PHSP12-4	PHSP12-5	PHSP12-6	PHSP12-7
	PHSP12-1A	PHSP12-2A	PHSP12-3A	PHSP12-4A	PHSP12-5A	PHSP12-6A	PHSP12-7A
	PHSP12-1B	PHSP12-2B	PHSP12-3B	PHSP12-4B	PHSP12-5B	PHSP12-6B	PHSP12-7B
	PHSP12-1C	PHSP12-2C	PHSP12-3C	PHSP12-4C	PHSP12-5C	PHSP12-6C	PHSP12-7C
Length L(mm)	25	50	75	100	150	200	300
Weight (Kg)	0.025	0.05	0.075	0.1	0.15	0.2	0.3

Drawing:

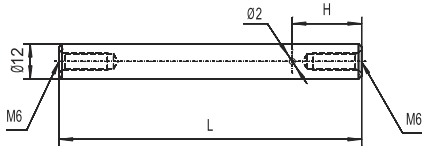
PHSP12-x ▼



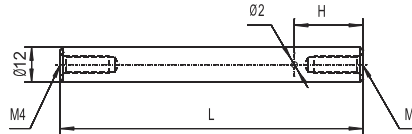
PHSP12-xB ▼



PHSP12-xA ▼



PHSP12-xC ▼

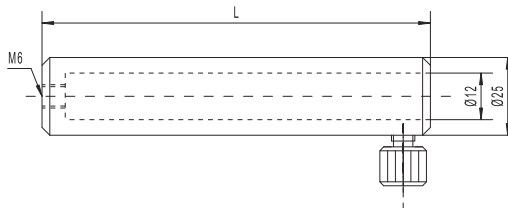


PHSH Low-Cost Post Holder, 25-150 mm height, 12 mm ID, M6



Model	PHSH-1	PHSH-2	PHSH-3	PHSH-4	PHSH-5
Length L (mm)	25	50	75	100	150
Weight (Kg)	0.03	0.04	0.1	0.11	0.15

Drawing:



Accessories:

PHSP12

BPMB

OMUS uLTRA-High Stability Optical Mount

Beam Steers

Polarizer mounts

Filter Mounts

Lens Mounts

Special Lens mounts

Prism Mounts

Laser Mounts

Slit

Fiber Coupler Mounts

Accessories

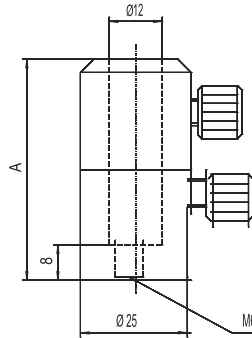
Post&holder

LM Optical Mounts for Industry

PHRP Rotation Optical Post Holder, 50-76 in Height, 12mm Diameter Post, M6 TH



Model	PHRP-1	PHRP-2	PHRP-3
Height A (mm)	50	76	102
Weight (Kg)	0.05	0.1	0.12



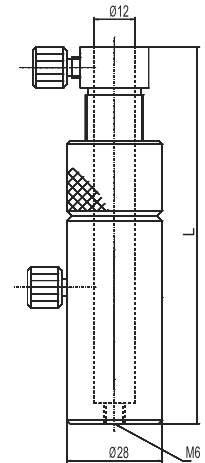
Accessories:



PHVP-1/PHVP-2 Translating Optical Post Holder, 72-120 mm, 12 mm Diameter Post, M6 Thread



Model	PHVP-1	PHVP-2
Vertical Range L	72~87	95~120
Applied Diameter	15	25
Weight (kg)	0.1	0.15



PHVP-3 Translating Optical Post Holder, 50mm Fina Adjustment Range, 12. mm Diameter Post, M6 Thread

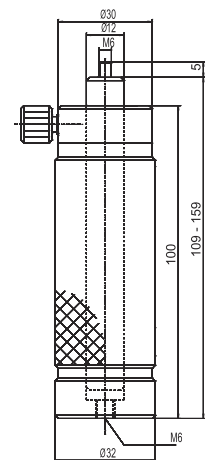


Details&Spec:

High degree mico-tuning functions, precision processing vertical screw is confort fort users. standard screw of the top of the center of the post connect with other products, strong applicability

- ◆ fine-tune the height: 50 mm
- ◆ Weight: 0.6kg

Accessories:



OMUS ULTRA-High Stability Optical Mount

Beam Steers

Polarizer mounts

Filter Mounts

Lens Mounts

Special Lens mounts

Prism Mounts

Laser Mounts

Silt

Fiber Coupler Mounts

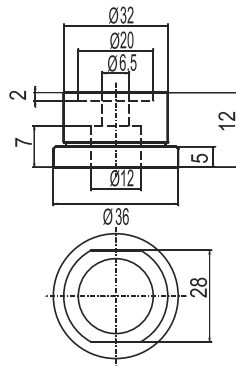
Accessories

Post&Holder

LM Optical Mounts for Industry

OMUS uLTRA-High Stability Optical Mount

PHPB-1 Optical Pedestal Base, 12mm Diameter, M6 TH



Beam Steers

Polarizer mounts

Filter Mounts

Lens Mounts

Special Lens mounts

Prism Mounts

Laser Mounts

Slit

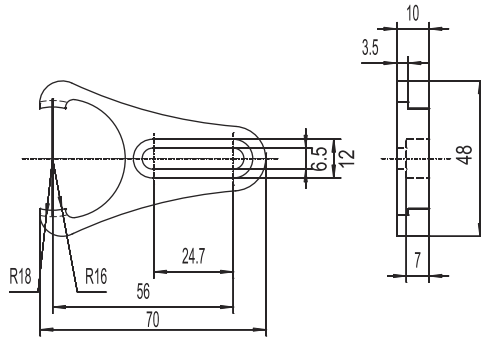
Fiber Coupler Mounts

Accessories

Post&holder

LM Optical Mounts for Industry

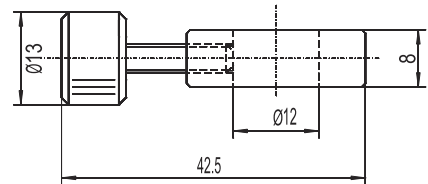
PHAF Clamping Fork, Captive M6 Screw, Standard Slot, For 25mm Pedestals



PHSP12C Optical Pedestal Sliding Clamp, 25 mm Diameter Pedestal, M6 Thread



Accessories:



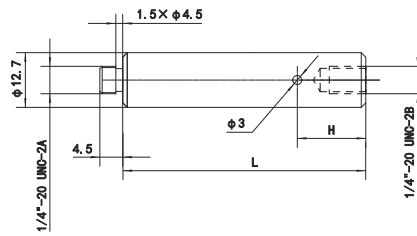
PEP 0.5 in. Stainless Steel Optical Mounting Post, 50-102mm Height, 8-32 & 1/4-20 THD



Model Sheet:

Model	Model	Height (mm)
PEP12.7-50	PEP12.7-50B	50
PEP12.7-76	PEP12.7-76B	76
PEP12.7-102	PEP12.7-102B	102

Drawing:



OMUS uLTRA-High Stability Optical Mount

Beam Steers

Polarizer mounts

Filter Mounts

Lens Mounts

Special Lens mounts

Prism Mounts

Laser Mounts

Slit

Fiber Coupler Mounts

Accessories

Post&Holder

LM Optical Mounts for Industry

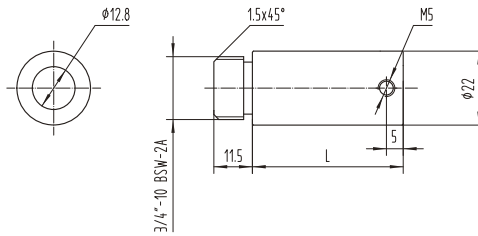
PEH Low-Cost Post Holder, 50-102 mm height, 0.5 in. ID, 3/4" -10



Model Sheet:

Model	Name
PEH12.7-50	(L: 50mm)
PEH12.7-76	(L: 76mm)
PEH12.7-102	(L: 102mm)

Drawing:



PEB Mounting Platform Metric/Inch

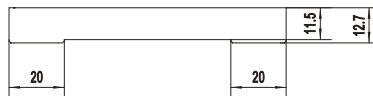
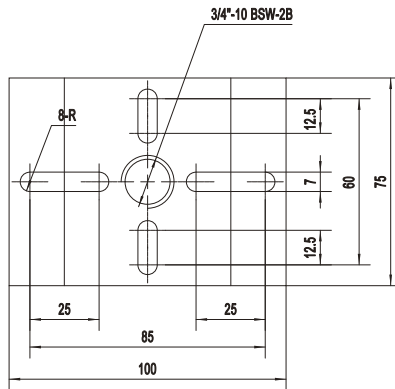


Model Sheet:

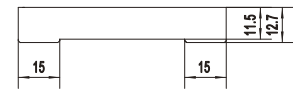
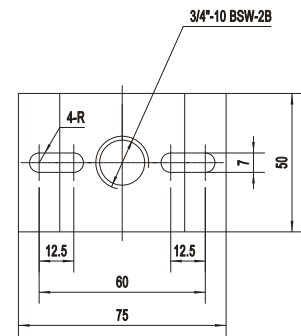
Model	Name
PEB75	(75mm X 50mm)
PEB100	(100mm X 75mm)

Drawing:

PEB100 ▼



PEB75 ▼



PHSP20 20mm Stainless Steel Optical Mounting Post, 50-200 mm Height, M4&M6 THD

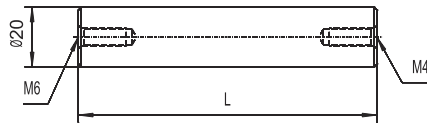


Model Sheet:

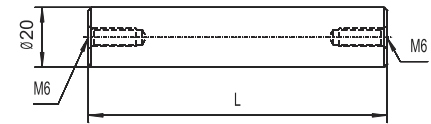
Model	PHSP20-1	PHSP20-2	PHSP20-3	PHSP20-4
Model	PHSP20-1A	PHSP20-2A	PHSP20-3A	PHSP20-4A
Length L (mm)	50	100	150	200
Weight (Kg)	0.1	0.2	0.3	0.4

Drawing:

PHSP20-x ▼



PHSP20-xA ▼



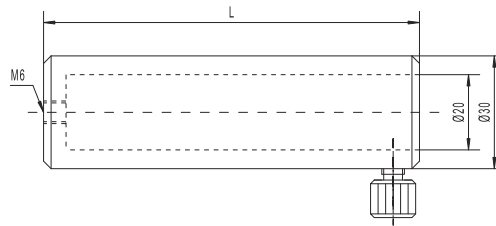
PHSH20 Low-Cost Post Holder, 25-100 mm height, 20mm ID, M6



Model Sheet:

Model	PHSH20-025	PHSH20-050	PHSH20-075	PHSH20-100
Length L (mm)	25	50	75	100
Weight (Kg)	0.04	0.05	0.12	0.14

Drawing:



Accessories:



PHSP12

BPMB

OMUS uLTRA-High
Stability Optical Mount

Beam Steers

Polarizer mounts

Filter Mounts

Lens Mounts

Special Lens
mounts

Prism Mounts

Laser Mounts

Slit

Fiber Coupler
Mounts

Accessories

Post&Holder

LM Optical Mounts
for Industry

PP Series Stainless Steel Optical Pedestal, M6 TH.



Details&Spec:

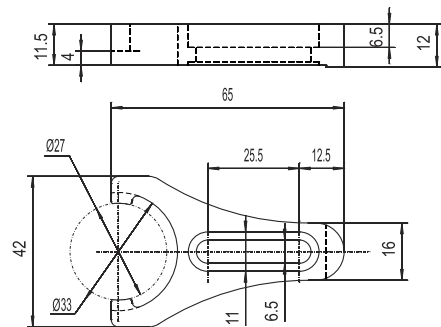
High-quality steel products, and special treatment to ensure the rigidity of the material. Diameter of 25mm, can provide high-load and high stability, product-specific fork-plate fixation, a high degree of freedom configuration, you can simply build a stable, optical axis height The optical experimental system must. Then stroke the length

Model Sheet

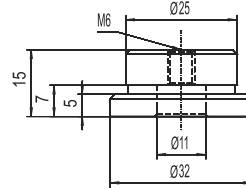
Models	Application
PPF25	Forklift steel plate
PPB15	15mm Base
PPE25	25mm Post
PPE50	50mm Post
PPE75	75mm Post
PPE90	90mm Post
PPE100	100mm Post
PPS1	1mm Gasket
PPS2	2mm Gasket
PPS5	5mm Gasket
PPCC25	Rod Clamp Verticaler
PPC2512	25-12 Orthogonal Post Holders

of series, and then under a variety of length between the free combination. Unique gasket can be adjusted to achieve a high degree of straight. C-type rod holder and orthogonal planes used to adjust the optical path more convenient.

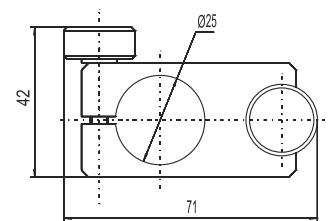
PPF25 ▼



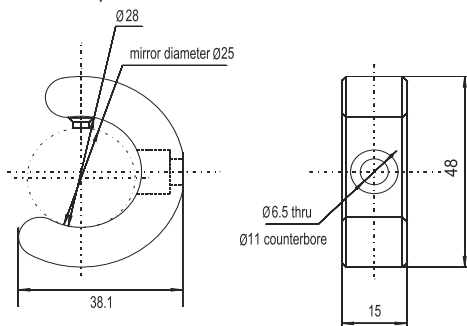
PPB15 ▼



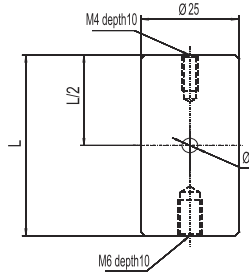
PPC2512 ▼



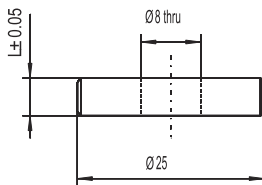
PPCC25 ▼



PPE ▼



PPS ▼



型号	PPS1	PPS2	PPS3
L (mm)	1	2	5

PHSR38-1 (2) 178mm/356mm Optical Support Rod, Mounting Base, 38mm Diameter

PHSR38-1 (2)A 178mm/356mm Optical Support Rod, Mounting Base, 38mm Diameter

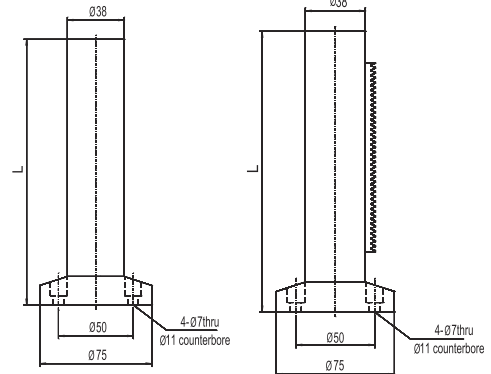


PHSR38-1 (2) PHSR38-1 (2)A

Model	PHSR38-1 (A)	PH SR38-2 (A)
L (mm)	178	356
Weight (kg)	1	1.5

PHSR38-1 (2) ▼

PHSR38-1 (2)A ▼



Accessories:



PHCR-1A

BPRB-1

PHCR-1 Rod Clamp, For 38mm Diameter Model: PHSR38-1/2



Accessories:

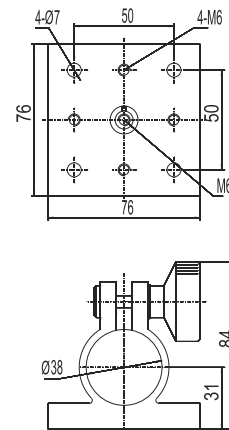


PHSR38-1 (2)

PHCR-3

Details&Spec:

And PHSR38-1 (2) with the use of support rods. The standard installation of the surface of its mounting hole Distance, you can adjust the frame or other fixed objects. Detachable from its central thread suitable for replacement of or in connection with the operation PHCR-3 with five gripper for tilt adjustment. Equipped with locking hand wheel can be locked in a solid clip of different heights. Weight: 0.45kg.



PHCR-1A Rack-and-Pinion Rod Clamp, For 38m. Diameter Models PHSR38-1A/2A



Accessories:

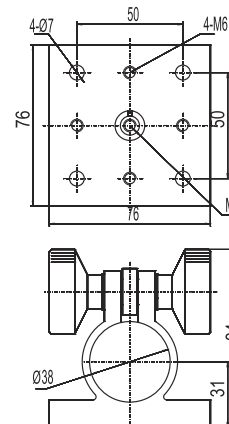


PHSR38-1 (2)A

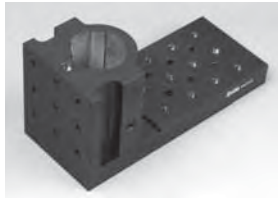
PHCR-3

Details&Spec:

Suitable for PHSR38-1 (2)A gear support clamp, equipped with gear and gear wheel, comfort, high precision. Standard installed holes can fix the other objects. center remove the screw, convenience change or operation, or combine with 5 face clamp, tilt adjustment. equipped with lock hand wheel, locked the different height of clamp



PHCR-2 Rod Platform, Three Machined Mounting Surfaces

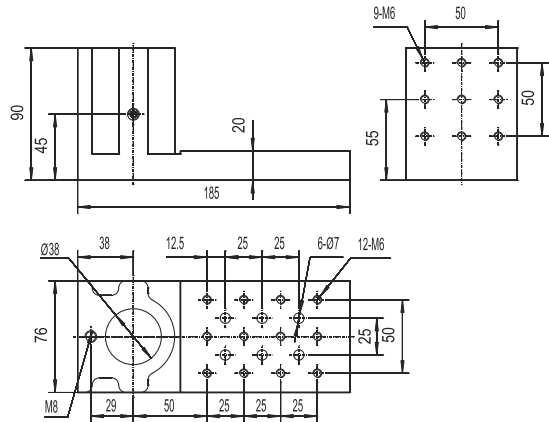


Details&Spec:

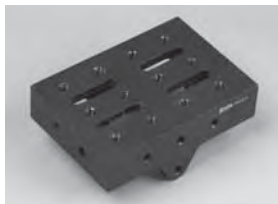
Suitable for PHSR38-1 (2) support rods, the horizontal surface fix the objects, plus the vertical installed surface, strong applicability
Symmetry line contact center hole, high precision, dual-lock tight tube, stable, non sway, weight

Accessories:

PHSR38-1 (2)



PHCR-3 Five Surfaces Rod Clamp



Details&Spec:

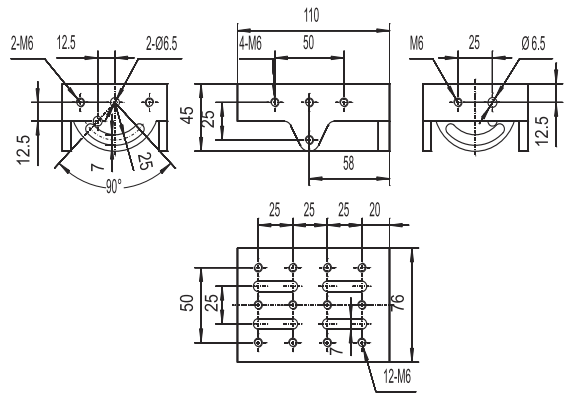
Have 5 installed surface, combine with other clamp, rotate or tilt adjustment, weight

Accessories:



PHCR-1

PHCR-1A



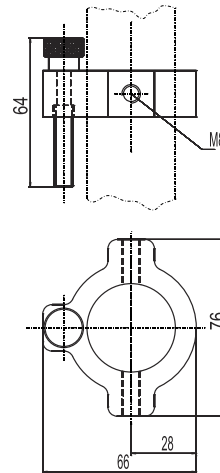
PHCRT-1 Riser



it will be used with PHSR38 series

Accessories:

PHSR38-1 (2)



PHCP-1 Swivel Post Clamp, 90 Degree

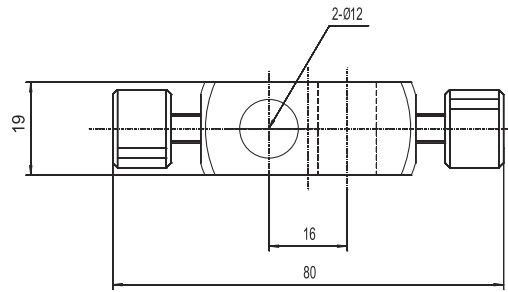


- ◆ Mounting hole: 12mm diameter standard hole the two orthogonal
- ◆ Weight: 0.05kg

Accessories:



PHSP12



PHCP-2 Swivel Post Clamp, 360 Degree



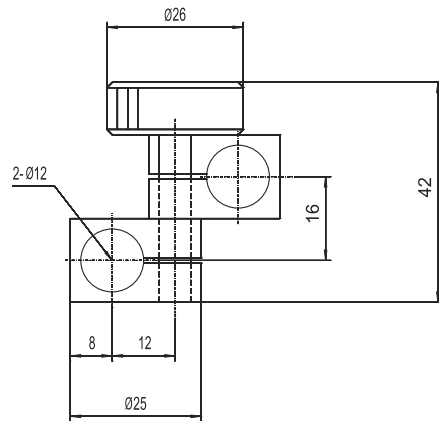
Putting the two knobs together by random degree

- ◆ Mounting holes: Two 360 ° rotation relative to the standard 12mm diameter hole
- ◆ Weight: 0.05kg

Accessories:



PHSP12



OMUS ULTRA-High Stability Optical Mount

Beam Steers

Polarizer mounts

Filter Mounts

Lens Mounts

Special Lens mounts

Prism Mounts

Laser Mounts

Slit

Fiber Coupler Mounts

Accessories

Post&Holder

LM Optical Mounts for Industry

PHUC-1/2/3 Universal Cross-Posts,360 Degree



Details&Spec:

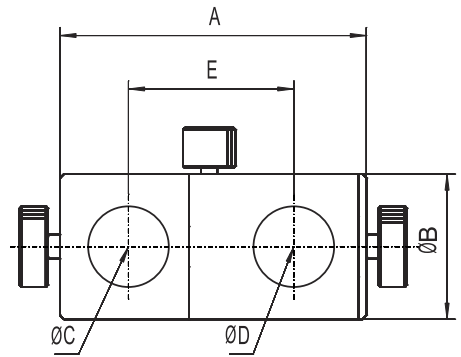
Application for many diameters clamps together by suitable degree, strong applicable. two knobs can 360 degree rotation, precision processing rotation axis provide precision and comfort adjustment. locking handwheel ensure position locking firmly

Accessories:

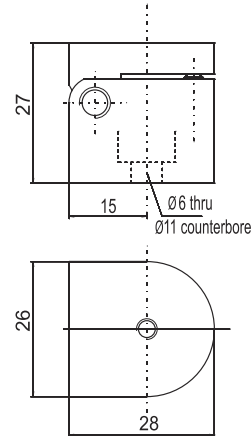


PHSP

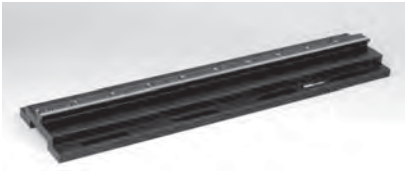
Model	A (mm)	B (mm)	C (mm)	D (mm)	E (mm)	Weight (Kg)
PHUC-1	60	30	12	12	33	0.12
PHUC-2	77	36	20	12	44	0.15
PHUC-3	77	36	20	20	41	0.15



PHTP Flipper Optic Mount, 25.4 Diameter, M6



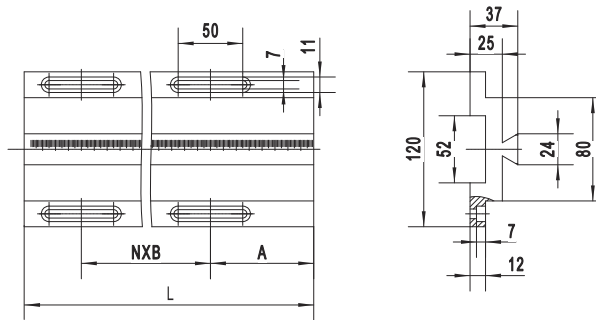
RAOB Optical Rail, 200-2000mm Length



Model	RAOB02-1	RAOB03-1	RAOB04-1	RAOB05-1	RAOB10-1	RAOB15-1	RAOB20-1
L (mm)	200	300	400	500	1000	1500	2000
A (Mm)	50	80					
B (mm)	100	140	240	170	280	335	460
N	1			2	3	4	
Weight (kg)	1.15	1.73	2.3	2.85	5.75	8.65	11.5

Accessories:

RACA



RACA Optical Rail Carrier, for RAOB Optical Rails



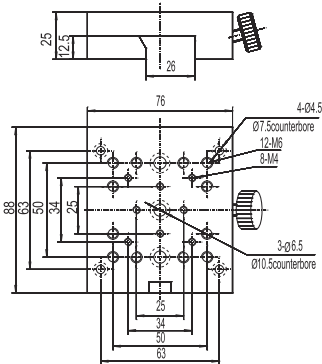
Accessories:



RAOB

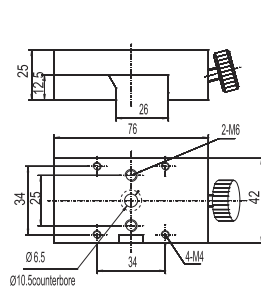
RACA-1 ▼

Weight: 0.35Kg



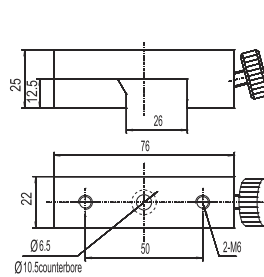
RACA-2 ▼

Weight: 0.2Kg



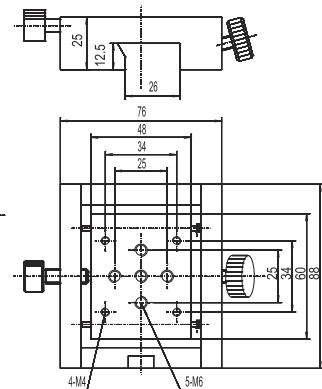
RACA-3 ▼

Weight: 0.1Kg



RACA-4 ▼

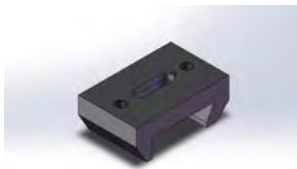
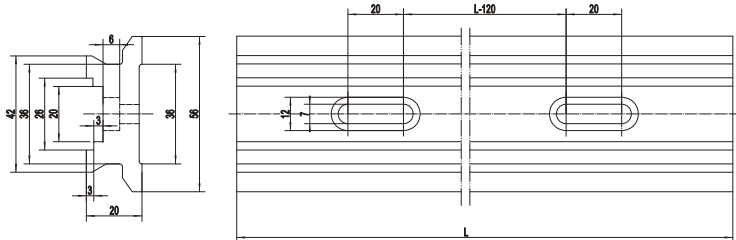
Fine Range : ±5mm Weight: 0.4Kg



LMB Miniature Optical Rails for LMB Laser Mount, $\pm 3^\circ$ angle

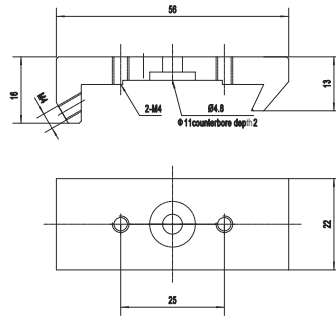


Model	Length L (mm)
RAOB-M2	200
RAOB-M3	300

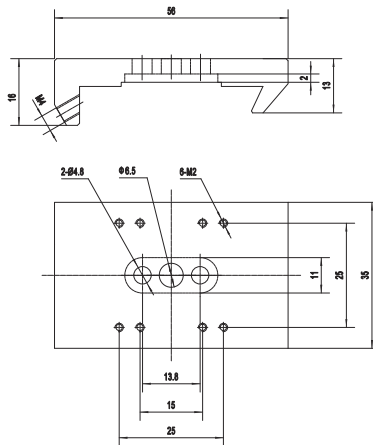


- RAOB-M3 300
- RACA-M1 Width 22mm
- RACA-M2 Width 35mm

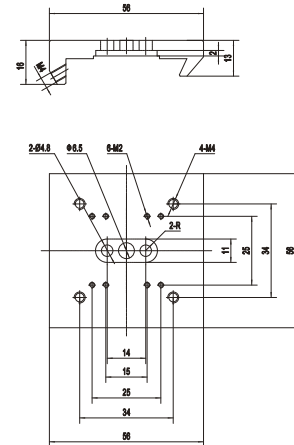
RACA-M1 ▼



RACA-M2 ▼



RACA-M3 ▼



Optical Mounts for Laser Processing Machine



LM20-2



LM20-2B



LM20-PH-XY



LM20-2-Q



LM20-4-LBE



LM20-4-LD

OMUS ULTRA-High
Stability Optical Mount

Beam Steers

Polarizer mounts

Filter Mounts

Lens Mounts

Special Lens
mounts

Prism Mounts

Laser Mounts

Slit

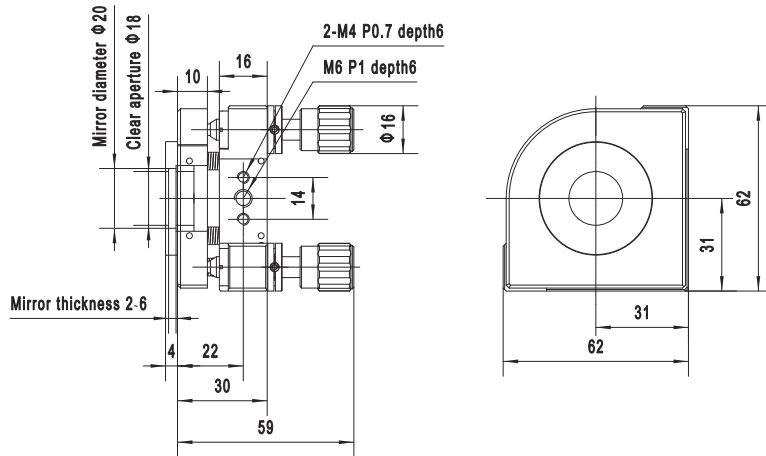
Fiber Coupler
Mounts

Accessories

Post&Holder

LM Optical Mounts
for Industry

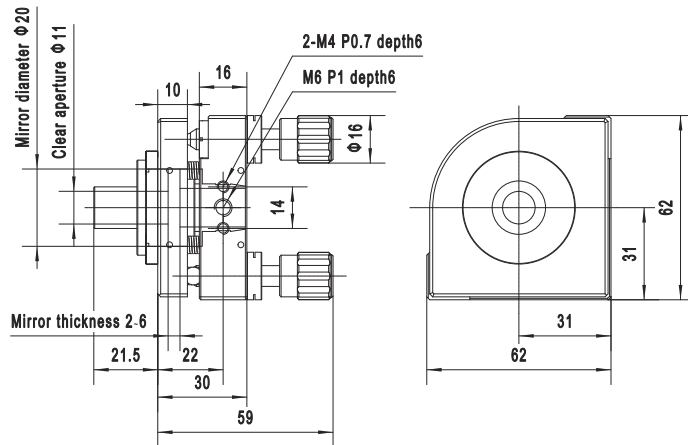
LM20-2 Laser Mounts of Specialized Mirror



Specification:

- Optic Diameter: 20mm
- Clear Aperture: 18mm
- Angular Range: $\pm 3^\circ$

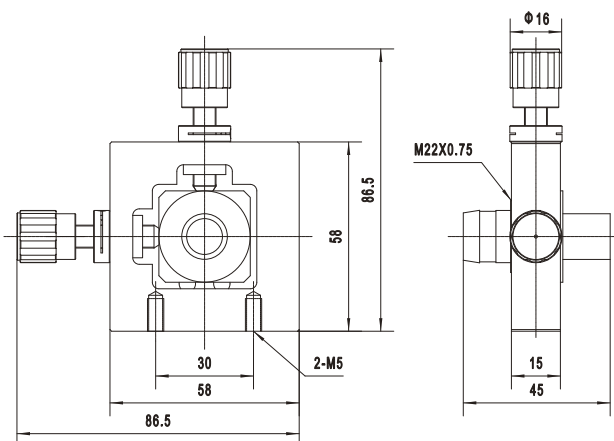
LM20-2B Laser Mounts of dust-proof Bolster



Specification:

- This mount can be installed with dust-proof Bolster, internal diameter of bolster is 12mm
- Optic Diameter: 20mm
- Clear Aperture: 12mm
- Angular Range: $\pm 3^\circ$

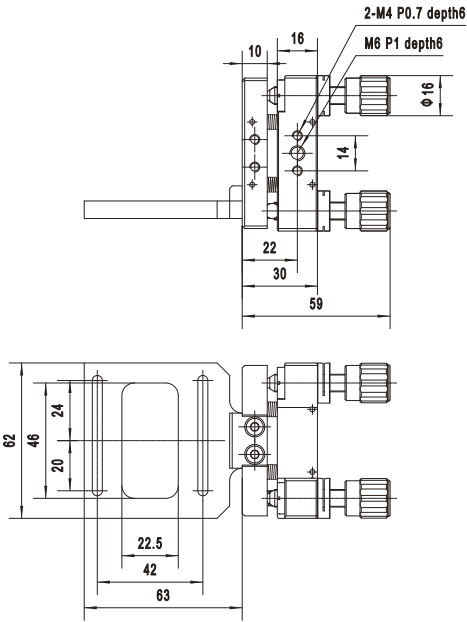
LM20-PH-XY Laser Mounts of Pinhole Diaphragm



Specification:

- Aperture Diaphragm Diameter: 20mm
- Aperture Diameter: Depend on the size of Aperture Diaphragm
- Range of Y and Z: ± 2 mm

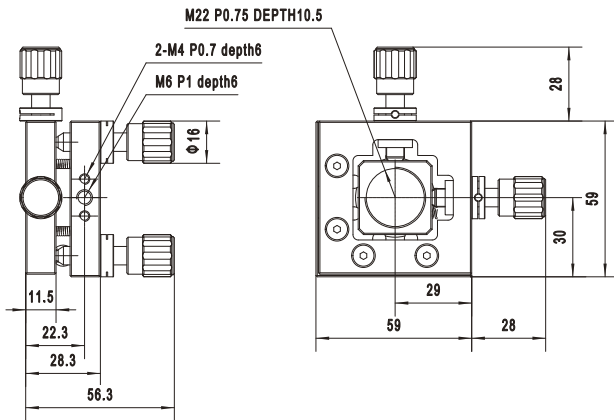
LM20-2-Q 2D Laser Mounts of Q-switch



Specification:

- Install Q-switch
- Angular Range: $\pm 3^\circ$

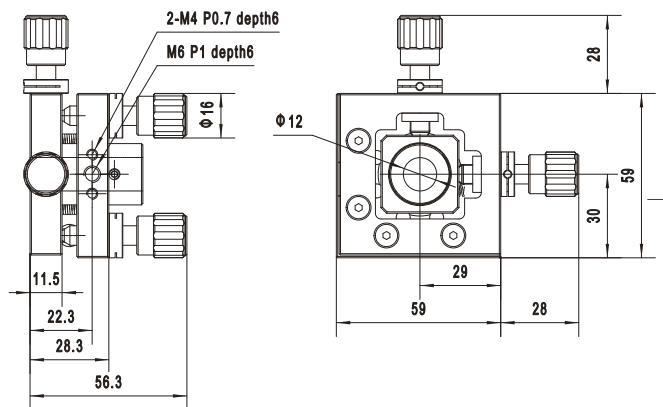
LM20-4-LBE 4D Laser Mounts of Laser Beam Expanders



Specification:

- Optic Diameter: M22 \times 0.75
- Range of Y and Z: ± 2 mm
- Angular Range: $\pm 3^\circ$
- Adjustment Angle : $\pm 3^\circ$

LM20-4-LD 4D Laser Mounts of LD



Specification:

- Optic Diameter: $\phi 12$ mm, Length ≥ 20 mm
- Range of Y and Z: ± 2 mm
- Angular Range: $\pm 3^\circ$

OMUS ULTRA-High Stability Optical Mount

Beam Steers

Polarizer mounts

Filter Mounts

Lens Mounts

Special Lens mounts

Prism Mounts

Laser Mounts

Slit

Fiber Coupler Mounts

Accessories

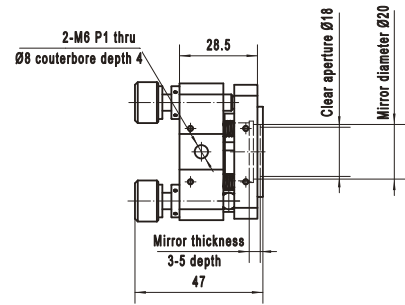
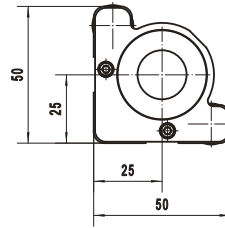
Post&Holder

LM Optical Mounts for Industry

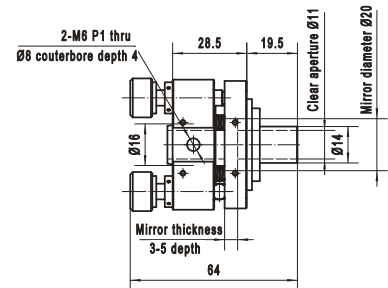
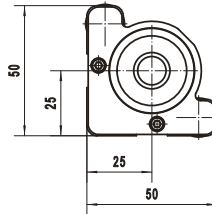
LMB Optical Mounts for Laser Processing Machine



LMB20-2 ▼



LMB20-2B ▼



Application:

